

GROOVEX

Innovative Grooving & Turning Solutions

MAIN CATALOG

External Machining | Internal Machining

METRIC

VARGUS is a world leading developer, manufacturer and supplier of high-quality, precision threading, grooving, turning and hand deburring tools.

Established in 1960, VARGUS is the cutting tools division of the NEUMO Ehrenberg Group, a multinational organization headquartered in Germany.

With 13 international subsidiaries, and a network of distributors, warehouses and certified ISO 9001 manufacturing facilities, VARGUS Ltd. serves customers in more than 100 countries around the globe. A customer-focused organization, VARGUS Ltd. is committed to providing products and solutions of the highest quality and excellent value, and is renowned for its technical expertise and uncompromising service.

COMPANY PRODUCTS:

GROOVEX

Innovative Grooving & Turning Solutions

, the newest product line by VARGUS, provides innovative solutions for grooving, boring and turning, in a wide range of applications.

External Machining:

VG-Cut Complete Range of Turning Solutions for Grooving, Parting Off, Turning & Profiling, Face Grooving, and Threading.

ST-Cut Precise tools for external machining on Swiss type machines for a range of applications.

GrooVical Precise Grooving & Turning for shallow grooves.

Internal Machining:

microscope Micromachining Solutions for Boring, Grooving & Threading in **Bores smaller than 1.0 mm.**

Mini-V All-Inclusive Range of Small Parts Machining Solutions for Boring, Grooving & Threading in **Bores from 7.8 mm.**

VARDEX

Advanced Threading Solutions

is the company's prominent product line for Thread Turning, Thread Milling, Gear Milling Solutions, and specialized solutions for the Oil & Gas industry.

SHAVIV

Leading Deburring Solutions

, manufactures world leading hand-deburring solutions for metal, plastic and wood.





EXTERNAL MACHINING

Semi Finishing



VG-Cut

Complete Range of Turning Solutions

Introduction	8
Technical Data	12

Inserts

Ordering Code System	23
Parting Off & Deep Grooving:	
Double Sided Inserts (1.5 - 6.0 mm)	24
Single Sided Inserts (2.0 - 4.0 mm)	26
Turning & Profiling (2.0 - 6.0 mm)	27
Threading (3.0 mm)	28

Toolholders

Ordering Code System	30
External Monoblock Tools with HPC	31
External Monoblock Tools	32
Reinforced Monoblock Tools with HPC	33
Reinforced Monoblock Tools	34
Blades with HPC	35
Blades	35
Reinforced Blades with HPC	36
Reinforced Blades (Screw Clamping)	37
Reinforced Blades	38
Blade Holders	38
Radial Modules	39
Modular Bodies	40
Radial Modules with HPC	41
Face Grooving Modules with HPC	42
Modular Bodies with HPC	43
Modular V-CAP Holders with HPC	44



ST-Cut

Precise Tools for Small Parts Machining

Introduction	46
Technical Data	47

Inserts

Ordering Code System	51
Parting Off	52
Groove & Turn	54
Square Grooving	55
Round Grooving	56
Threading	57

Toolholders

Ordering Code System	59
Square Shank Tools	60
Shank Stepped Tools	61
Square Shanks 90° Tools	62

Finishing



GrooVical

Precise Grooving & Turning Applications

Introduction	64
Technical Data	65

Inserts

Ordering Code System	67
----------------------------	----

Close to Shoulder:

Super Positive Rake Grooving	68
Turning & Grooving Chip Former	69

Square Grooving.....	70
Round Grooving.....	71
Parting Off.....	72
GV29 Neutral:	
Square Grooving.....	73
Round Grooving.....	73

Toolholders

Ordering Code System.....	74
Close to Shoulder External Toolholders.....	75
Close to Shoulder External Toolholders 90°.....	76
Modules with High Pressure Coolant.....	77
Modular Bodies with HPC.....	78
Modular V-CAP Holders with HPC.....	79
External Toolholders (GV29).....	80
External Toolholders 90° (GV29).....	80

INTERNAL MACHINING

Semi Finishing



VG-Cut

Complete Range of Turning Solutions

Technical Data.....	84
---------------------	----

Toolholders

Ordering Code System.....	87
Internal VG-Cut.....	88

Finishing



GrooVical

Precise Grooving & Turning Applications

Technical Data.....	90
---------------------	----

Toolholders

Ordering Code System.....	92
Close to Shoulder Internal Toolholders.....	93
Internal Toolholders (GV29).....	93



Mini-V

Precise Turning, Grooving, Threading & Face Grooving

Introduction.....	96
Technical Data.....	98

Inserts

Ordering Code System.....	100
Boring.....	101
Boring with Chip Former.....	101
Boring & Profiling 30°.....	102
Boring & Profiling 45°.....	102
Back Boring.....	103
Boring & Chamfering.....	103
Grooving DIN 472 - Sharp Corner Radius.....	104
Square Grooving - 0.05 mm Corner Radius.....	105
Square Groovings.....	106
Round Grooving - DIN 7993.....	107
Square Face Grooving.....	108
Round Face Grooving.....	109
Threading.....	110

Toolholders

Ordering Code System.....	113
Alloy Steel Shank.....	114
Reinforced Alloy Steel Shank.....	114
Carbide Shank.....	115
Reinforced Carbide Shank.....	116
Carbide Shank for Sleeves.....	116
V-CAP Holders.....	117
Micro Holders for Carbide Shank.....	
Sleeve Clamping.....	117



micrOscope

Mini Tools for Small & Medium Bores

Introduction.....	120
Technical Data.....	122

Inserts

Ordering Code System.....	127
Boring with HPC.....	128
Boring.....	129
Boring with Chip Breaker with HPC.....	132
Boring with Chip Breaker.....	133
Boring with Chip Former with HPC.....	134
Boring with Chip Former.....	135
Boring 20°.....	136
Boring 90°.....	136
Boring & Profiling with Chip Breaker & HPC (CBLF).....	137



Mini Tools for Small & Medium Bores

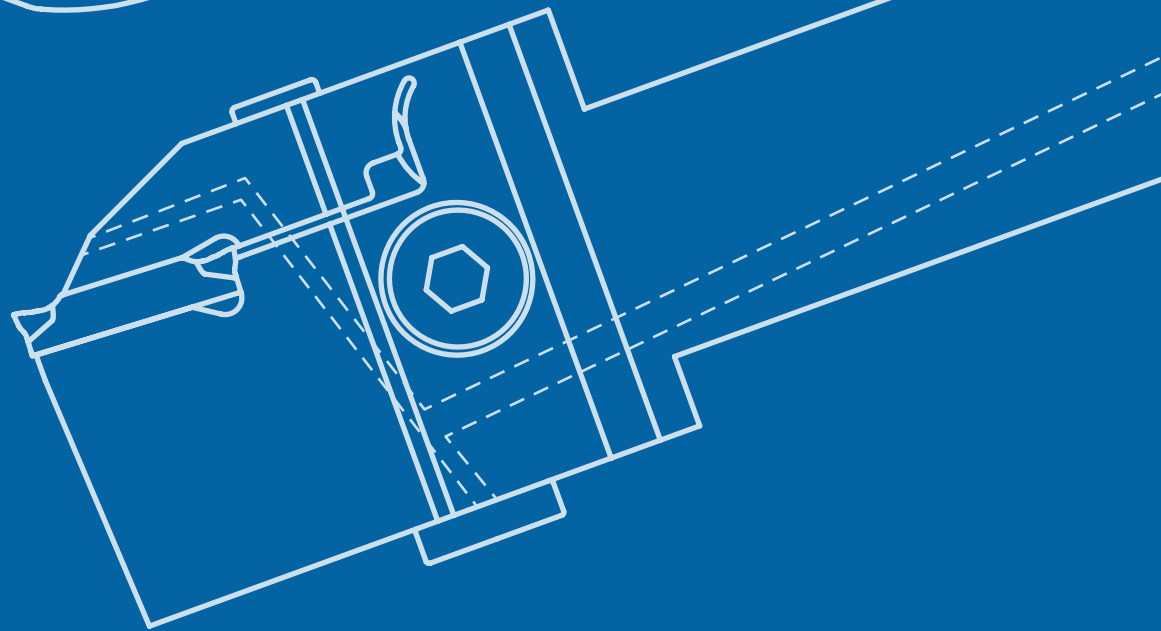
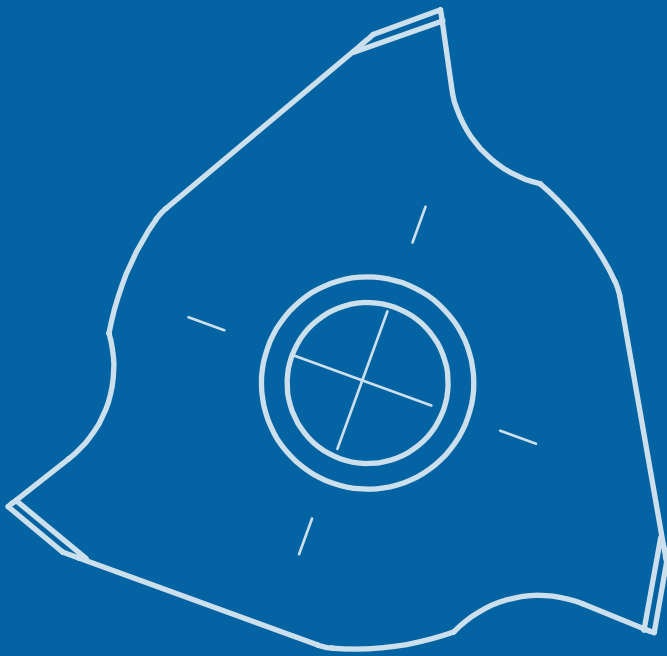
Boring & Profiling (CL) with HPC..... 138
Boring & Profiling (CL)..... 138
Back Boring..... 139
Boring & Chamfering 45°..... 139
Square Grooving with HPC..... 140
Square Grooving..... 141
Round Grooving..... 143
Pre-Part Off..... 143
Face Grooving with HPC..... 144
Face Grooving..... 145
Round Face Grooving with HPC..... 146
Face Chamfering 45°..... 146
Threading..... 147

Toolholders

Ordering Code System..... 150
V-Cap Holders..... 151
Shrink Toolholders..... 152
Round Tools without Shoulder..... 153
Round Double Sided Tools..... 153
Holder with Round Shank - 4 Flats..... 154
Holder with Round Shank - 2 Flats..... 155
Holder with Square Shank..... 156
Holder with Drop Head..... 157

Accessories

Torque Limiters..... 158
Torque Limiters Appendix..... 159



EXTERNAL MACHINING

Semi Finishing

VG-Cut 7

ST-Cut 45

Finishing

GrooVical 63



EXTERNAL MACHINING | **SEMI FINISHING**

VG-Cut

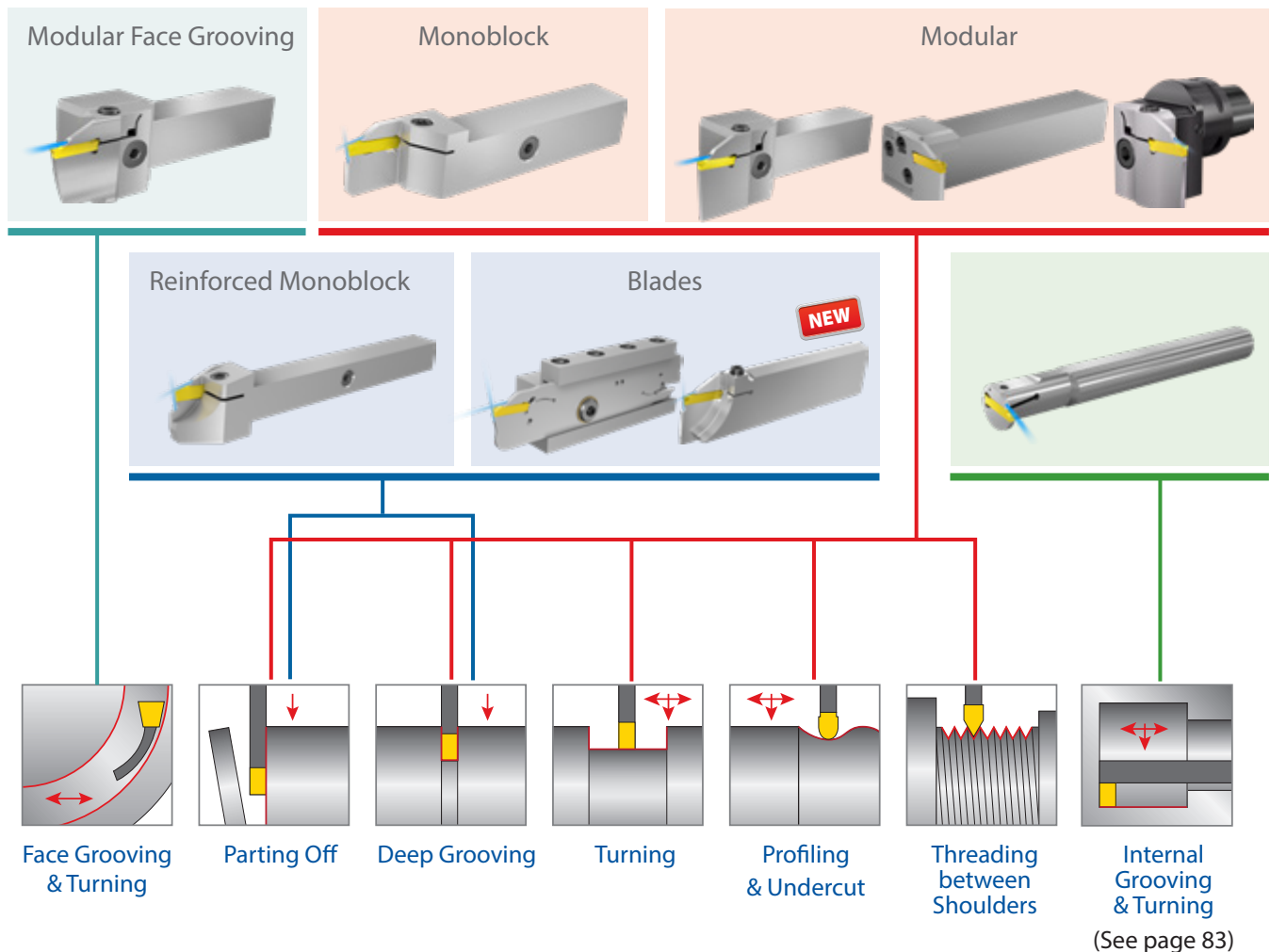
Deep Grooving, Threading, Turning,
Parting Off & Face Grooving Applications

VG-Cut | Complete Range of Turning Solutions

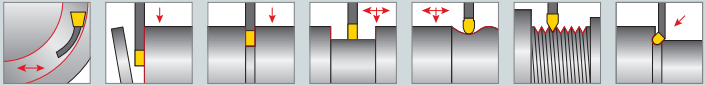

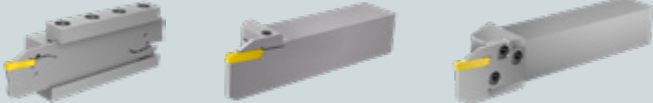
Deep Grooving, Threading, Parting Off, Boring and Face Grooving

VG-Cut tools provide a wider range of applications and options within the same insert pocket of Deep Grooving, Parting Off, Turning, Profiling, Boring, Face Grooving and Threading. VG-Cut inserts also offer a variety of chip formers and carbide grades, making the **VG-Cut** program a distinctly versatile system. **VG-Cut** inserts are designed with a unique multifunctional and diverse geometry, to minimize inventory for the end-user.

VG-Cut tools cover a wide range of Threading Standards for machining between shoulders and close to the spindle for up to shoulder depth of 10.0 mm.

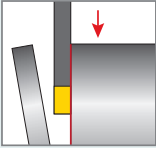


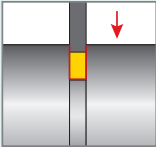




Insert, Tool and Cutting Data Selection Guide

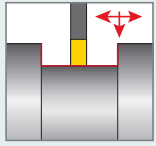

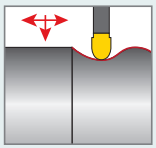

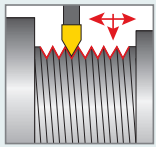

A	Identify the Application																																															
B	Identify the Designated Work Piece Material	<div style="display: flex; justify-content: space-around; align-items: center;"> <div style="background-color: #00a0e3; color: white; padding: 5px; text-align: center;">P Alloy Steel</div> <div style="background-color: #ffcc00; color: black; padding: 5px; text-align: center;">M Stainless Steel</div> <div style="background-color: #e31a1c; color: white; padding: 5px; text-align: center;">K Cast Iron</div> <div style="background-color: #4caf50; color: white; padding: 5px; text-align: center;">N Non-Ferrous</div> <div style="background-color: #ff9800; color: white; padding: 5px; text-align: center;">S Heat Resistance</div> <div style="background-color: #9e9e9e; color: black; padding: 5px; text-align: center;">H Hardened Material</div> </div>																																														
C	Designated Chip Former Geometry for Selected Applications		Page 10																																													
D	Designated Carbide Grade for Desired Application	<div style="display: flex; justify-content: space-around; align-items: center;"> <div style="background-color: #9e9e9e; padding: 5px; text-align: center;">VKG</div> <div style="background-color: #00a0e3; padding: 5px; text-align: center;">VPG</div> <div style="background-color: #ffcc00; padding: 5px; text-align: center;">VMG</div> </div>	Page 11																																													
E	Selecting Insert and Tool as Required by Operation		Pages 23 - 39																																													
F	Cutting Data According to Selected Items	<table border="1" style="font-size: small;"> <tr> <td rowspan="3" style="background-color: #ffcc00;">Stainless Steel</td> <td>16</td> <td>Stainless Steel Cast Ferritic</td> <td>Non Hardened</td> <td>200</td> <td>50-120</td> <td>60-160</td> </tr> <tr> <td>18</td> <td>Stainless Steel Cast Austenitic</td> <td>Hardened</td> <td>330</td> <td>40-100</td> <td>50-140</td> </tr> <tr> <td>17</td> <td>Stainless Steel Cast Austenitic</td> <td>Austenitic</td> <td>200</td> <td>50-120</td> <td>60-160</td> </tr> <tr> <td rowspan="2" style="background-color: #ffcc00;">Stainless Steel</td> <td>18</td> <td>Stainless Steel Cast Austenitic</td> <td>Hardened</td> <td>330</td> <td>40-100</td> <td>50-140</td> </tr> <tr> <td>28</td> <td>Malleable Cast Iron</td> <td>Ferritic (short chips)</td> <td>130</td> <td>160-240</td> <td>160-280</td> </tr> <tr> <td rowspan="2" style="background-color: #e31a1c;">Cast Iron</td> <td>29</td> <td>Malleable Cast Iron</td> <td>Pearlitic (long chips)</td> <td>230</td> <td>140-220</td> <td>140-260</td> </tr> <tr> <td>30</td> <td>Malleable Cast Iron</td> <td>Low Tensile Strength</td> <td>180</td> <td>160-240</td> <td>160-280</td> </tr> </table>	Stainless Steel	16	Stainless Steel Cast Ferritic	Non Hardened	200	50-120	60-160	18	Stainless Steel Cast Austenitic	Hardened	330	40-100	50-140	17	Stainless Steel Cast Austenitic	Austenitic	200	50-120	60-160	Stainless Steel	18	Stainless Steel Cast Austenitic	Hardened	330	40-100	50-140	28	Malleable Cast Iron	Ferritic (short chips)	130	160-240	160-280	Cast Iron	29	Malleable Cast Iron	Pearlitic (long chips)	230	140-220	140-260	30	Malleable Cast Iron	Low Tensile Strength	180	160-240	160-280	Pages 12-19
Stainless Steel	16	Stainless Steel Cast Ferritic		Non Hardened	200	50-120	60-160																																									
	18	Stainless Steel Cast Austenitic		Hardened	330	40-100	50-140																																									
	17	Stainless Steel Cast Austenitic	Austenitic	200	50-120	60-160																																										
Stainless Steel	18	Stainless Steel Cast Austenitic	Hardened	330	40-100	50-140																																										
	28	Malleable Cast Iron	Ferritic (short chips)	130	160-240	160-280																																										
Cast Iron	29	Malleable Cast Iron	Pearlitic (long chips)	230	140-220	140-260																																										
	30	Malleable Cast Iron	Low Tensile Strength	180	160-240	160-280																																										



Designated Chip Former Geometry for Parting Off and Grooving

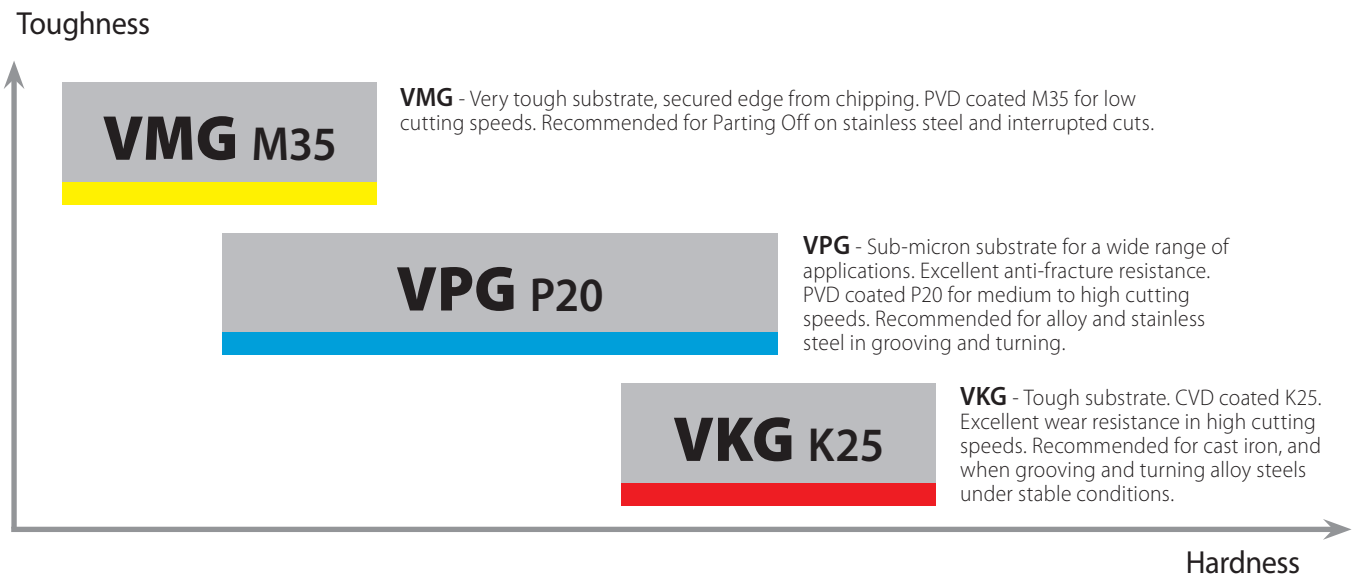
Application	Material Group	Standard Conditions	Extreme Conditions				
 <p>Parting Off</p>	<table border="1"> <tr> <td>P Alloy Steel</td> <td>H Hardened Material</td> </tr> <tr> <td>K Cast Iron</td> <td></td> </tr> </table>	P Alloy Steel	H Hardened Material	K Cast Iron		 <p>GT Recommended choice for machining alloy and stainless steel. Positive rake chip former leads to low cutting forces during cutting. A multifunctional chip former for parting, grooving and turning.</p>	 <p>GP Recommended choice for machining cast iron, for interrupted cuts and for unstable applications where accuracy and overall machining stability are not clear. Reinforced cutting edge for parting off and grooving.</p>
P Alloy Steel	H Hardened Material						
K Cast Iron							
 <p>Grooving</p>	<table border="1"> <tr> <td>M Stainless Steel</td> <td>S Heat Resistance</td> </tr> <tr> <td>N Non-Ferrous</td> <td>P Mild Steel</td> </tr> </table>	M Stainless Steel	S Heat Resistance	N Non-Ferrous	P Mild Steel	 <p>GM/GF Recommended choice for stainless steel. Positive sharp cutting edge decreases build-up on edge for parting off and grooving in low feeds.</p> <p>GM2 Ideal use for parting off and grooving in very low feeds</p>	 <p>GT Recommended choice for machining alloy and stainless steel. Positive rake chip former leads to low cutting forces during cutting, with multifunctional chip former for parting, grooving and turning.</p>
M Stainless Steel	S Heat Resistance						
N Non-Ferrous	P Mild Steel						

Designated Chip Former Geometry for Turning, Profiling and Threading

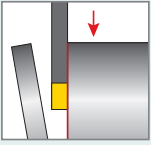

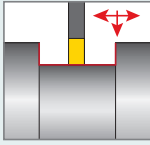

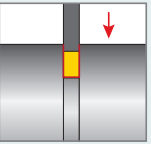

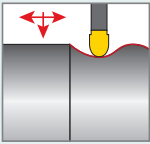

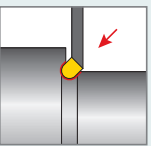
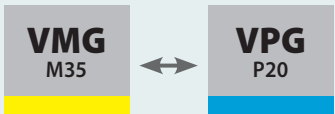
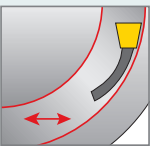

Application	Standard Conditions
 <p>Turning</p>	 <p>GT Recommended choice for machining alloy and stainless steel. Positive rake chip former leads to low cutting forces during cutting, with multifunctional chip former for parting off, grooving and turning.</p>
 <p>Profiling</p>	 <p>GR Recommended choice for grooving, undercut and profiling. Round shape geometric for profiling, and positive rake chip former with multifunctional chip control.</p>
 <p>Threading</p>	 <p>RS/LS Varied range of threading standards for machining between shoulders and close to the spindle.</p>

Designated Carbide Grade for Desired Application

Toughness vs. Hardness

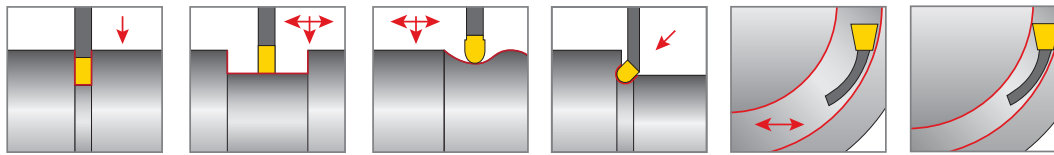


Recommended Carbide Grade for Designated Application

Application	Improved Chipping Resistance	Improved Wear Resistance	Application	Improved Chipping Resistance	Improved Wear Resistance
 Parting Off			 Turning		
 Grooving			 Profiling		
 Undercut			 Face Turning		

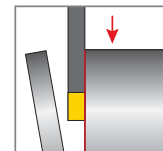
Technical Data

Recommended Cutting Speeds Vc [m/min]



Material Group	Vargus No.	Material	Hardness Brinell HB	Carbide Grade			
				VMG PVD M35	VPG PVD P20	VKG CVD K25	
P Steel	1	Unalloyed Steel	Low Carbon (C=0.1-0.25%)	125	100-160	120-260	120-280
	2		Medium Carbon (C=0.25-0.55%)	150	80-140	90-220	90-250
	3		High Carbon (C=0.55-0.85%)	170	80-140	90-220	90-250
	4	Low Alloy Steel (alloying elements ≤5%)	Non Hardened	180	80-140	90-220	90-250
	5		Hardened	275	50-120	60-150	60-180
	6	High Alloy Steel (alloying elements >5%)	Annealed	200	50-100	90-150	90-250
	7		Hardened	325	40-70	50-100	60-160
	8	Cast Steel	Low Alloy (alloying elements <5%)	200	50-100	90-150	90-250
	9		High Alloy (alloying elements >5%)	225	50-100	60-150	60-180
	M Stainless Steel	11	Stainless Steel Ferritic	Non Hardened	200	50-80	60-160
12		Hardened		330	40-80	50-140	
13		Stainless Steel Austenitic	Austenitic	180	50-80	60-160	
14			Super Austenitic	200	50-80	60-160	
15		Stainless Steel Cast Ferritic	Non Hardened	200	50-80	60-160	
16			Hardened	330	40-80	50-140	
17		Stainless Steel Cast Austenitic	Austenitic	200	50-80	60-160	
18			Hardened	330	40-80	50-140	
K Cast Iron	28	Malleable Cast Iron	Ferritic (short chips)	130		160-200	160-280
	29		Pearlitic (long chips)	230		140-220	140-260
	30	Grey Cast Iron	Low Tensile Strength	180		160-200	160-280
	31		High Tensile Strength	260		100-200	100-240
	32	Nodular Sg Iron	Ferritic	160		100-200	100-240
	33		Pearlitic	260		100-200	100-240
N(K) Non-Ferrous Metals	34	Aluminium Alloys Wrought	Non Aging	60	150-300		
	35		Aged	100	150-250		
	36	Aluminium Alloys Cast	Cast	75	150-300		
	37		Cast & Aged	90	150-300		
	38	Aluminium Alloys Cast Si 13-22%	130	150-250			
	39	Copper and Copper Alloys	Brass	90	150-300		
	40		Bronze And Non Leaded Copper	100	150-300		
S(M) Heat Resistant Material	19	High Temperature Alloys	Annealed (iron based)	200	25-40	30-50	
	20		Aged (iron based)	280	25-35	20-50	
	21		Annealed (nickel or cobalt based)	250	25-35	20-50	
	22		Aged (nickel or cobalt based)	350	25-35	20-50	
	23	Titanium Alloys	Pure 99.5 Ti	400Rm	25-40	30-50	
24	α+β Alloys		1050Rm	25-60	30-70		
H(K) Hardened Material	25	Extra Hard Steel	Hardened & Tempered	45-50HRc		20-40	30-50
	26		51-55HRc		15-30	25-45	

Vc [m/min] for Parting Off

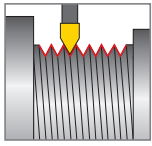


For Parting Off, improved chip forming and chip evacuation; **reduce speed by ≈ 30%.**

For gummy materials, such as stainless steel and heat resistant metals or in case of build up on edge (cold welding), **increase speed by ≈ 20%.**

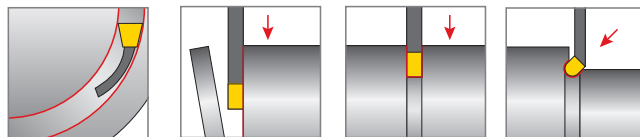
Technical Data

Recommended Cutting Speeds Vc [m/min] for Threading

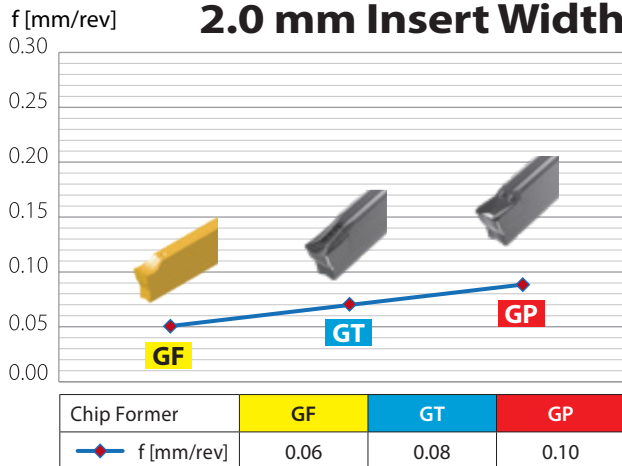


Material Group	Vargus No.	Material	Hardness Brinell HB	Carbide Grade	
				VPG PVD P20	
P Steel	1	Unalloyed Steel	Low Carbon (C=0.1-0.25%)	125	120-260
	2		Medium Carbon (C=0.25-0.55%)	150	90-220
	3		High Carbon (C=0.55-0.85%)	170	90-220
	4	Low Alloy Steel (alloying elements ≤5%)	Non Hardened	180	90-220
	5		Hardened	275	60-160
	6		Hardened	350	50-100
	7	High Alloy Steel (alloying elements >5%)	Annealed	200	90-220
	8		Hardened	325	50-100
	9	Cast Steel	Low Alloy (alloying elements <5%)	200	90-220
	10		High Alloy (alloying elements >5%)	225	60-160
M Stainless Steel	11	Stainless Steel Ferritic	Non Hardened	200	60-160
	12		Hardened	330	50-140
	13	Stainless Steel Austenitic	Austenitic	180	60-160
	14		Super Austenitic	200	60-160
	15	Stainless Steel Cast Ferritic	Non Hardened	200	60-160
	16		Hardened	330	50-140
	17	Stainless Steel Cast Austenitic	Austenitic	200	60-160
	18		Hardened	330	50-140
K Cast Iron	28	Malleable Cast Iron	Ferritic (short chips)	130	160-240
	29		Pearlitic (long chips)	230	140-220
	30	Grey Cast Iron	Low Tensile Strength	180	160-240
	31		High Tensile Strength	260	100-200
	32	Nodular Sg Iron	Ferritic	160	100-200
	33		Pearlitic	260	100-200
N(K) Non-Ferrous Metals	34	Aluminium Alloys Wrought	Non Aging	60	200-450
	35		Aged	100	200-350
	36	Aluminium Alloys	Cast	75	200-450
	37		Cast & Aged	90	200-450
	38	Aluminium Alloys	Cast Si 13-22%	130	200-350
	39	Copper and Copper Alloys	Brass	90	200-450
	40		Bronze And Non Leaded Copper	100	200-450
	S(M) Heat Resistant Material	19	High Temperature Alloys	Annealed (iron based)	200
20		Aged (iron based)		280	20-50
21		Annealed (nickel or cobalt based)		250	20-50
22		Aged (nickel or cobalt based)		350	20-50
23		Titanium Alloys	Pure 99.5 Ti	400Rm	30-50
24			α+β Alloys	1050Rm	30-70
H(K) Hardened Material	25	Extra Hard Steel	Hardened & Tempered	45-50HRC	20-40
	26			51-55HRC	15-30

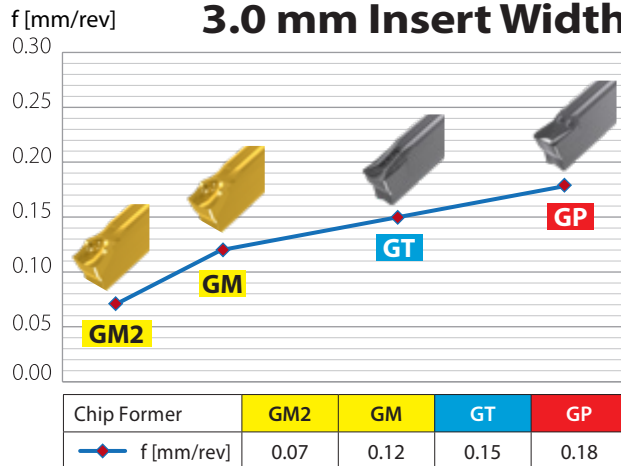
Feed Rate (f) Starting Point for Deep Grooving, Face Grooving & Parting Off



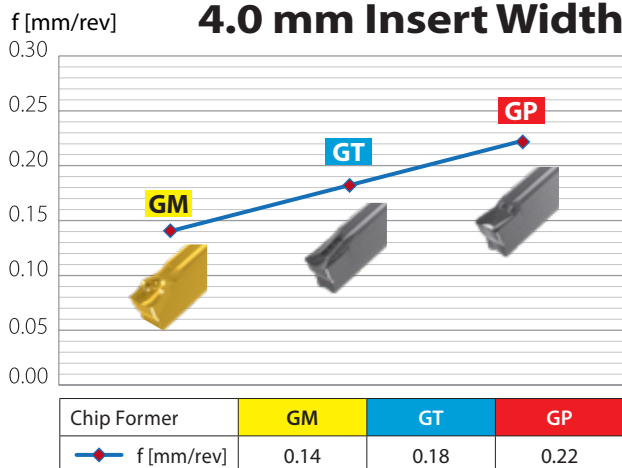
2.0 mm Insert Width



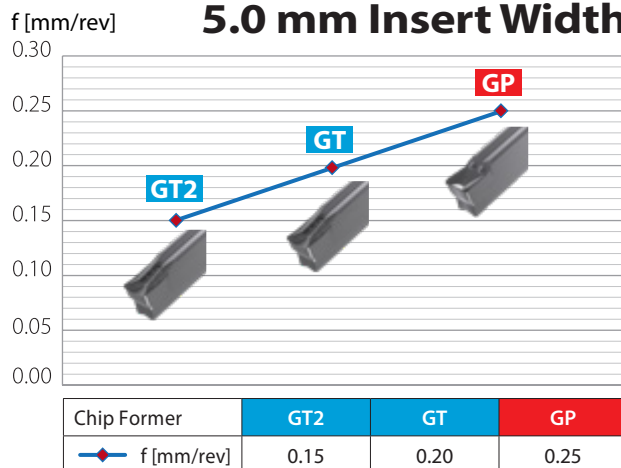
3.0 mm Insert Width



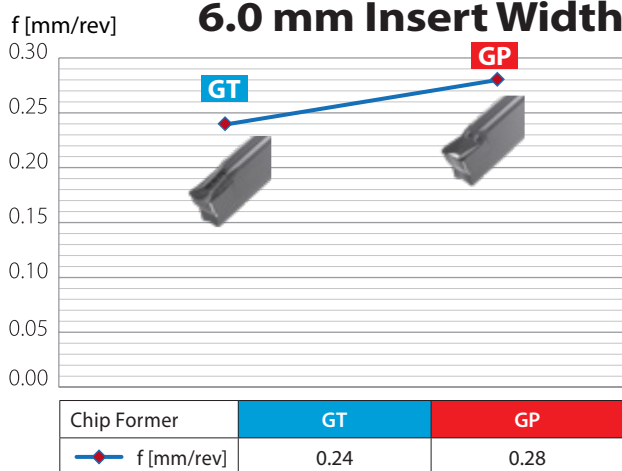
4.0 mm Insert Width



5.0 mm Insert Width



6.0 mm Insert Width



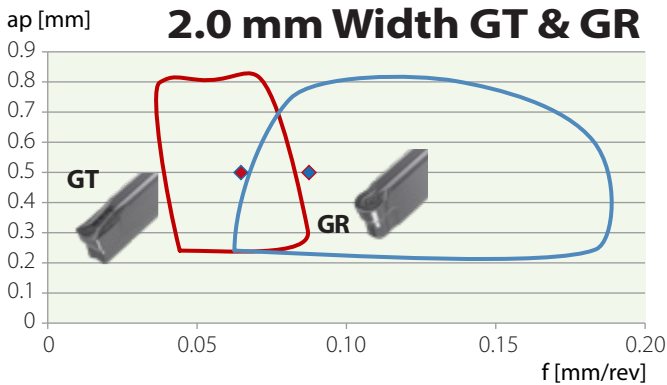
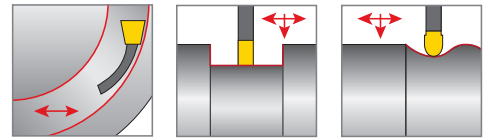
Correct chip forming is essential for chip evacuation. Low feed rates with sufficient chip evacuation improve process stability and tool life. Feed rate should be increased only when improved evacuation is needed to prevent wall scratching or chip entanglement.

For Parting Off, it is recommended to reduce feed rate by 30% while using R / L inserts.

For Parting Off, it is recommended to reduce feed rate by 50% as the insert approaches rotation center. Reduce feed when the insert approaches approx. 3.0 mm diameter.

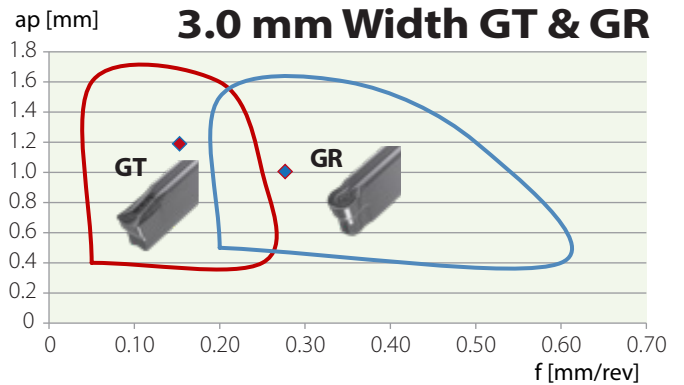
For better chip evacuation in **Face Grooving**, creating short chips is preferable. It is therefore recommended to work in short intervals (pecking), at a maximum grooving depth of twice the insert width. Taking into consideration the workpiece material and groove diameter, it is recommended to begin the first cut at no longer than the insert's width.

Feed Rate (f) and Depth of Cuts for Axial Turning, Profiling and Face Grooving



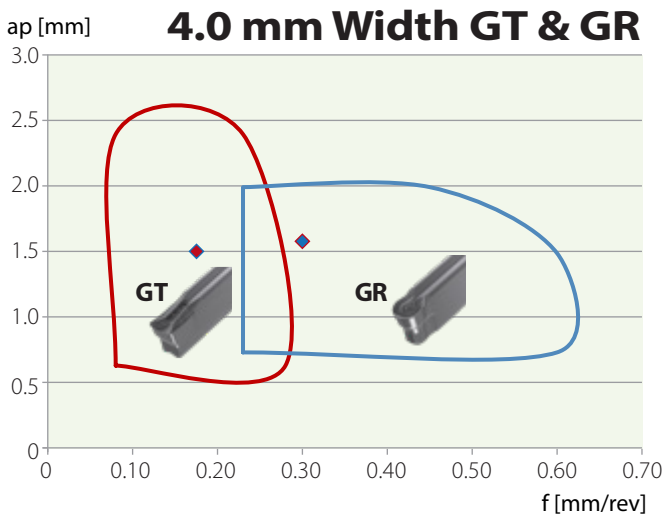
Recommended Starting Point:

	GT 2.0 mm	GR 2.0 mm
ap [mm]	0.5	0.5
f [mm/rev]	0.06	0.08



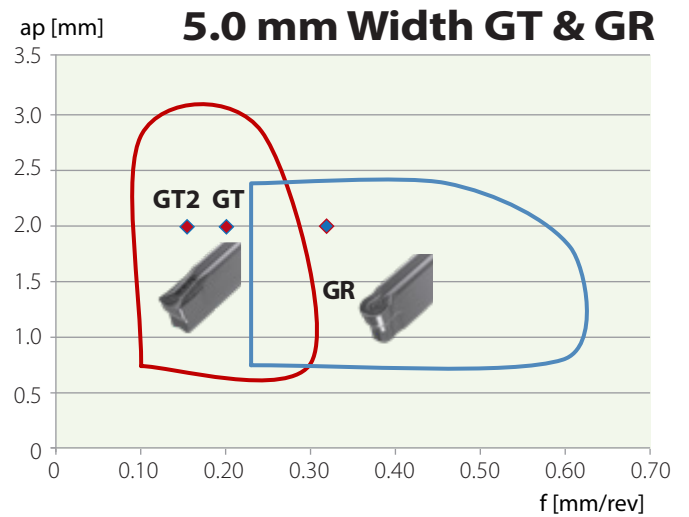
Recommended Starting Point:

	GT 3.0 mm	GR 3.0 mm
ap [mm]	1.20	1.00
f [mm/rev]	0.14	0.25



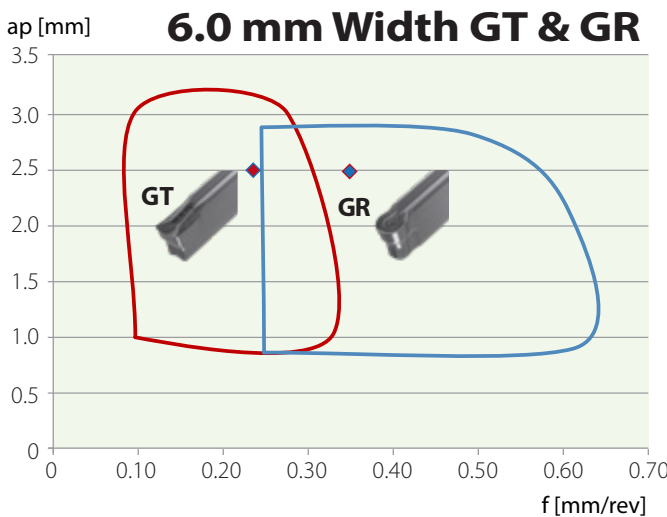
Recommended Starting Point:

	GT 4.0 mm	GR 4.0 mm
ap [mm]	1.50	1.60
f [mm/rev]	0.18	0.30



Recommended Starting Point:

	GT2 5.0 mm	GT 5.0 mm	GR 5.0 mm
ap [mm]	2.0	2.0	2.0
f [mm/rev]	0.15	0.20	0.32



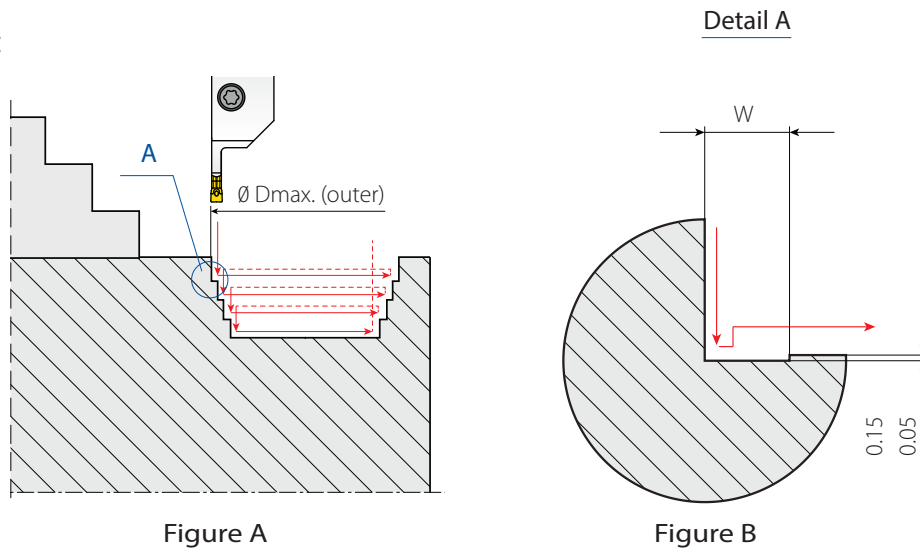
Recommended Starting Point:

	GT 6.0 mm	GR 6.0 mm
ap [mm]	2.50	2.50
f [mm/rev]	0.24	0.35

Radial Groove and Turn Machining Recommendations

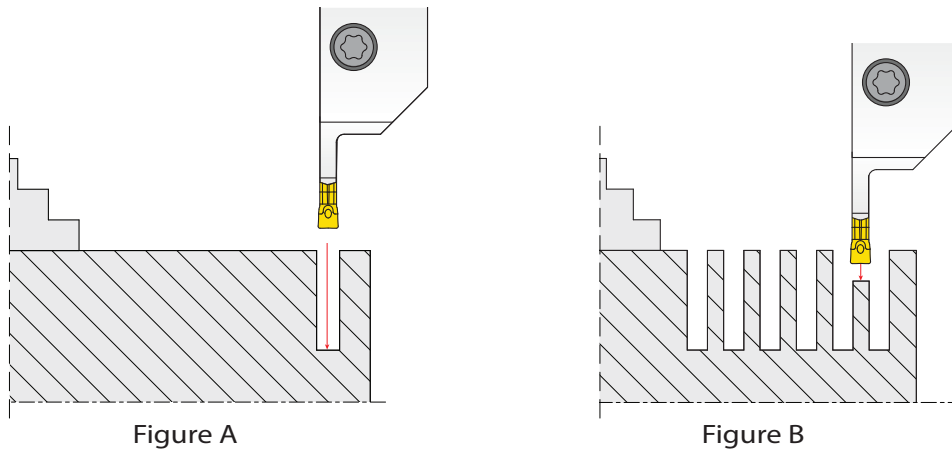
Roughing:

Method 1:



1. Start by radial grooving close to spindle.
2. Radial retract back by 0.10 mm (see Figure B), followed by longitudinal turning from spindle.
3. Radial retract by 0.10 mm and return towards spindle.
4. Repeat the above cycle (1, 2 & 3), each time deeper into the workpiece, with an average grooving depth 0.2-0.45mm insert width.
5. Keep about 0.4 mm of additional material on workpiece, which will be removed in the finishing operation as recommended in the next page.

Method 2:



1. Start by radial grooving far from spindle (Figure A), making sure that the material is always being machined at the center of the insert.
2. Continue to work towards spindle, leaving excess material between each groove. The excess material should not be wider than the insert's width minus 2 times the radius: $W - R \times 2 = \text{max. grooving width}$.
3. Radial groove the excess material (Figure B).

See the following page for Finishing Recommendations.

Radial Groove and Turn Machining Recommendations

Finishing:

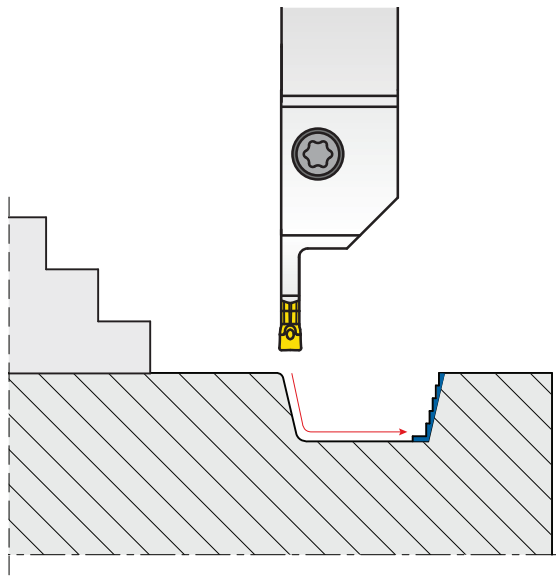


Figure A

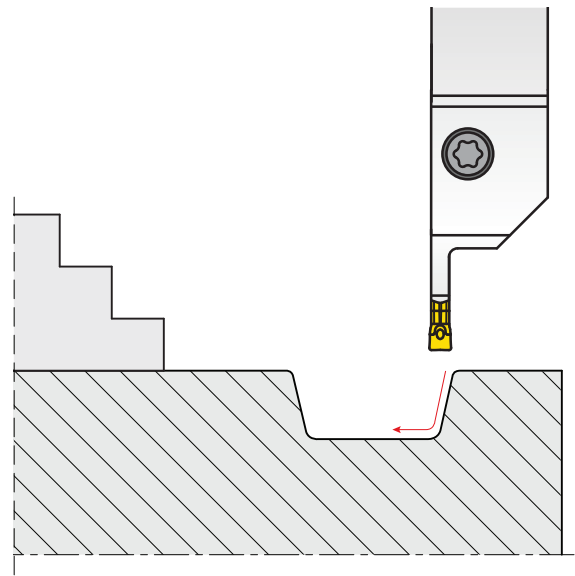


Figure B

1. Start the profiling operation close to spindle, and towards the workpiece's inner diameter. Generate the desired radius followed by longitudinal turning close to the tangential point of the second inner radius (Figure A).
2. Start the Profiling operation far from spindle, and towards the workpiece's inner diameter. Generate the desired radius as needed (Figure B).

Face Groove and Turn Machining Recommendations

Roughing:

Method 1:

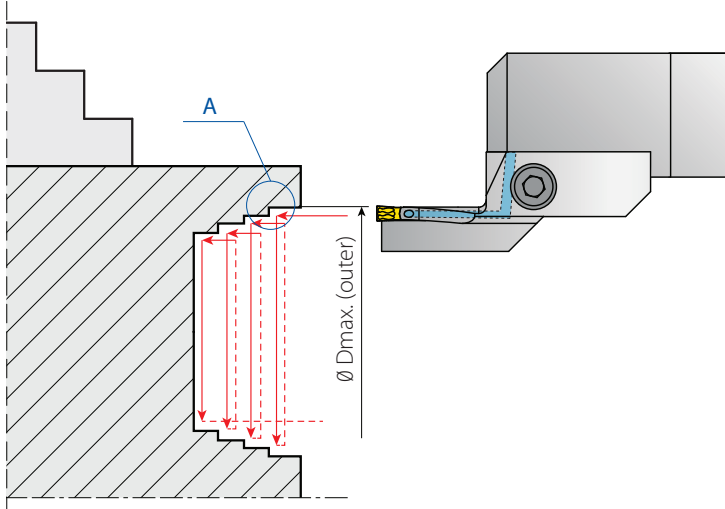


Figure A

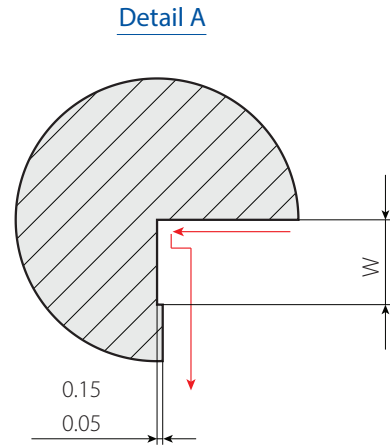


Figure B

1. Start by face grooving close to outer diameter.
2. Retract back by 0.10 mm (see Figure B), followed by face turning towards the center.
3. Axial retract away from the workpiece for about 0.1 mm.
4. Repeat the above cycle (1, 2 & 3), each time deeper into the workpiece, with average grooving depth of 0.2 - 0.45 insert width.
5. Keep about 0.4 mm of additional material on workpiece, which will be removed in the finishing operation as recommended below.

Method 2:

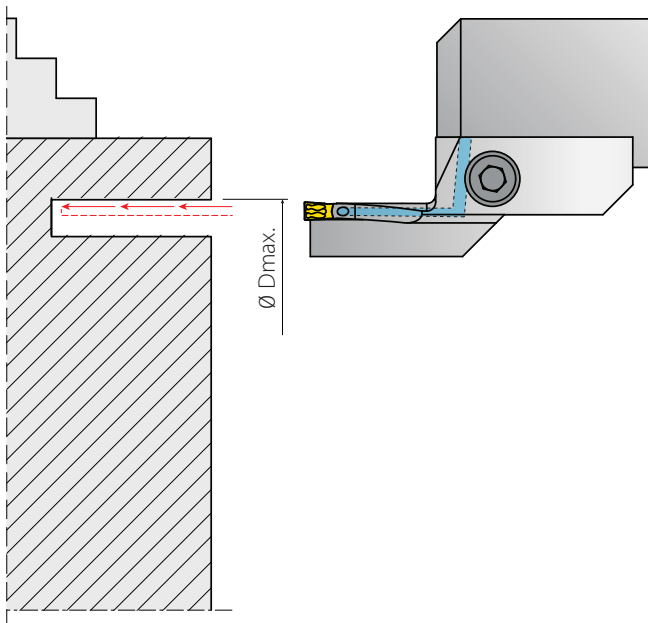


Figure A

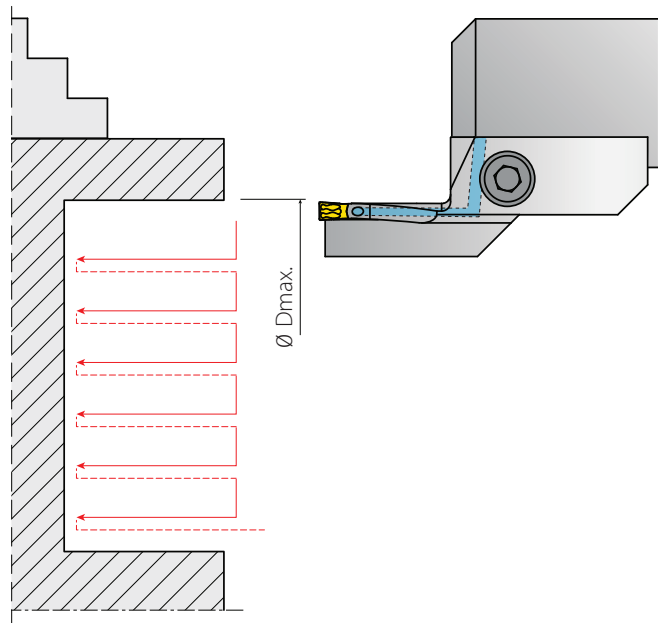


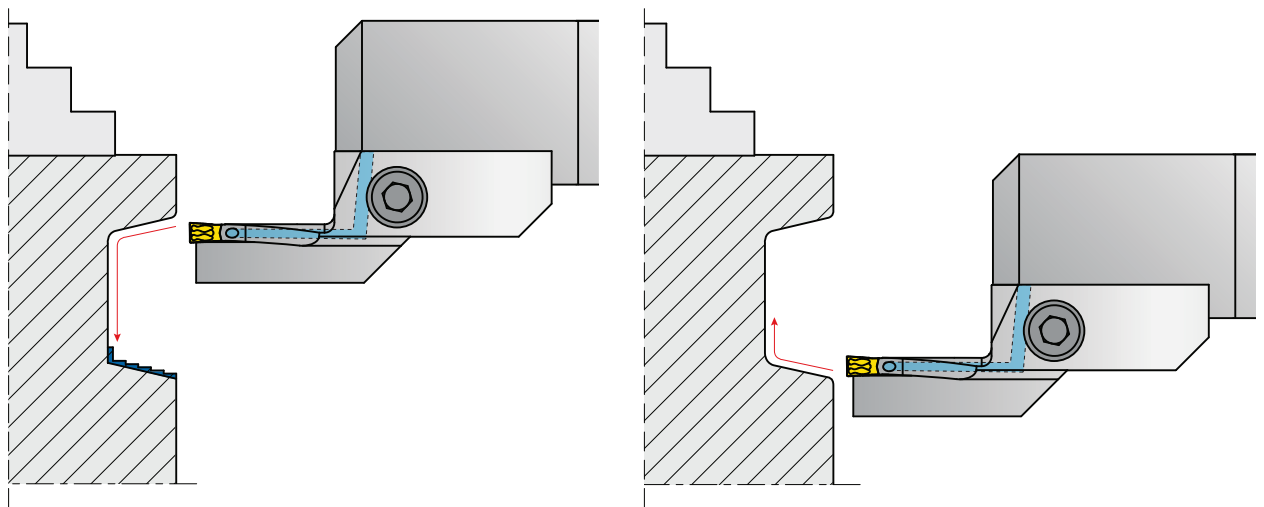
Figure B

1. Start by face grooving close to outer diameter (Figure A). Work in short intervals (pecking) at maximum grooving depth of twice the insert width.
2. Follow this by face grooving towards the center of the workpiece as required for covering the entire pocket shape (Figure B). Each additional groove width should be smaller than the insert width by approx. 0.3 mm.
3. Only the first groove (Figure A) is done in short intervals (pecking) for better chip evacuation. Other grooves can be done continuously based on recommended feeds for the application.
4. Recommended chip forming for Alloy Steel is GP. For Stainless Steel please use GT.

See the following page for Finishing Recommendations.

Face Groove and Turn Machining Recommendations

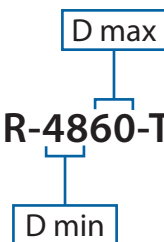
Finishing:



1. Start the Profiling operation from the outer diameter of the workpiece and work in. Generate the desired radius followed by the face turning operation close to the tangential point of the inner radius.
2. Start the Profiling operation from the inner diameter towards the bottom of the workpiece, generate the desired radius as needed.

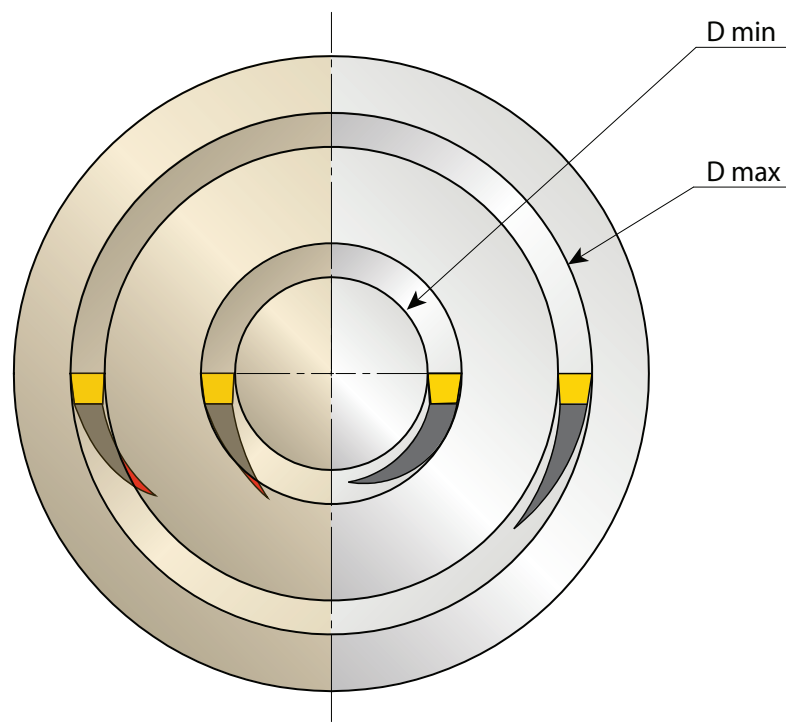
Selecting the Correct Face Grooving Module

VG Cut Ordering Code Example: **VGFR-4860-T24-4C**



Wrong Support

Correct Support



User Guide for Modular System

Choosing the Correct Holder for the Application (Body + Module):

* High pressure coolant system shown.

Parallel Right Tools

Right Body



Radial

Face

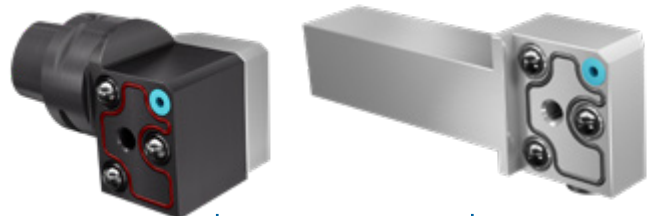


Right Module

Left Module

Parallel Left Tools

Left Body



Radial

Face

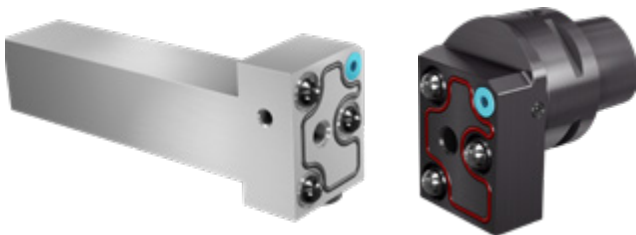


Left Module

Right Module

90° Right Tools

Right Body



Radial

Face

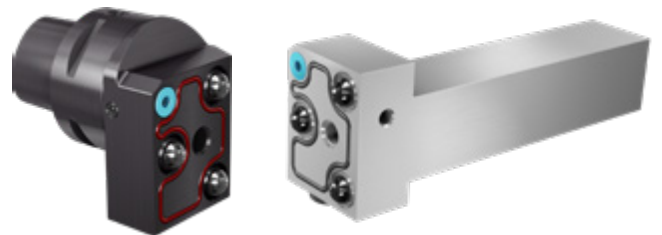


Left Module

Right Module

90° Left Tools

Left Body



Radial

Face



Right Module

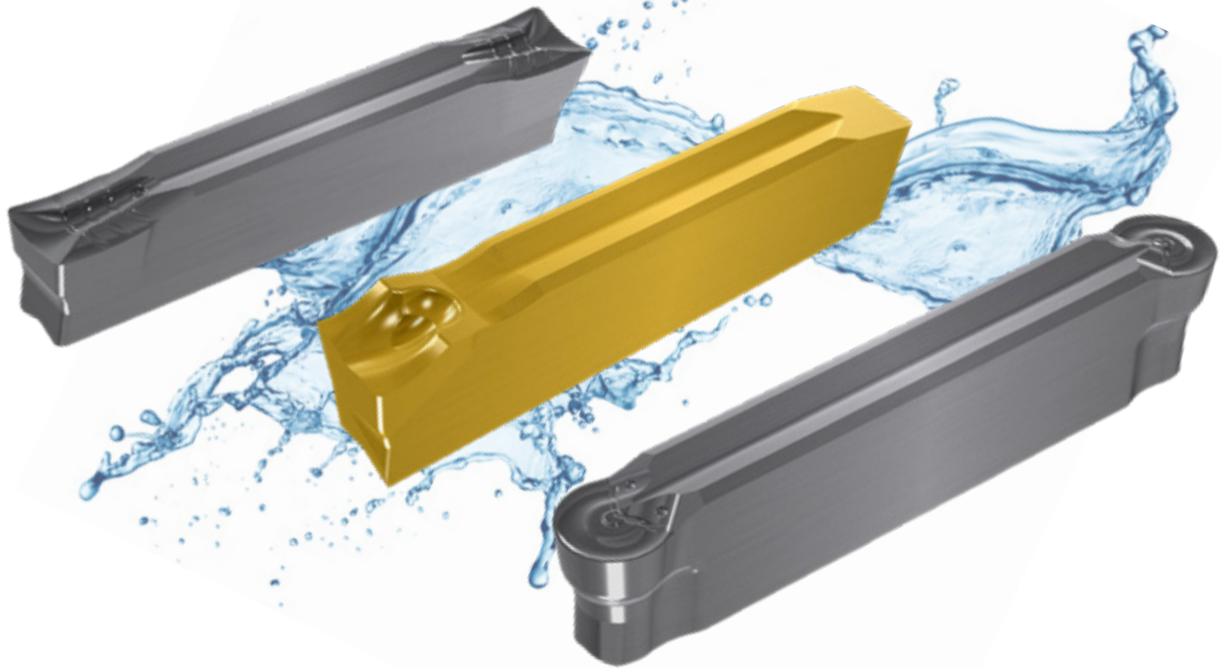
Left Module

High Pressure Coolant Accessories and Spare Parts

Image	Ordering Code	Item Number	Relevant Tools
	Tube Connector 25-6P	013-00941	VG-Cut Blade Holders See page 37
	Angled Fitting G1_8x6P	013-00947	VG-Cut / GrooVical Modular Bodies See page 43
	Straight Fitting G1_8x6P	013-00942	VG-Cut / GrooVical V-Cap Bodies See page 44
	Plug G1/8"P	013-00948	VG-Cut Blade Holders See page 37
	Plug DIN 916 GALV M6x8P	013-00940	
	Coolant Sleeve	013-00946	VG-Cut / GrooVical Modular Bodies See page 43
	O-RING Body Seal	013-00944	VG-Cut / GrooVical V-Cap Bodies See page 44

VG-Cut Inserts

Parting Off & Deep Grooving - Double Sided Inserts (1.5 - 6.0 mm).....	24
Parting Off & Deep Grooving - Single Sided Inserts (2.0 - 4.0 mm).....	26
Turning & Profiling (2.0 - 6.0 mm).....	27
Threading (3.0 mm).....	28



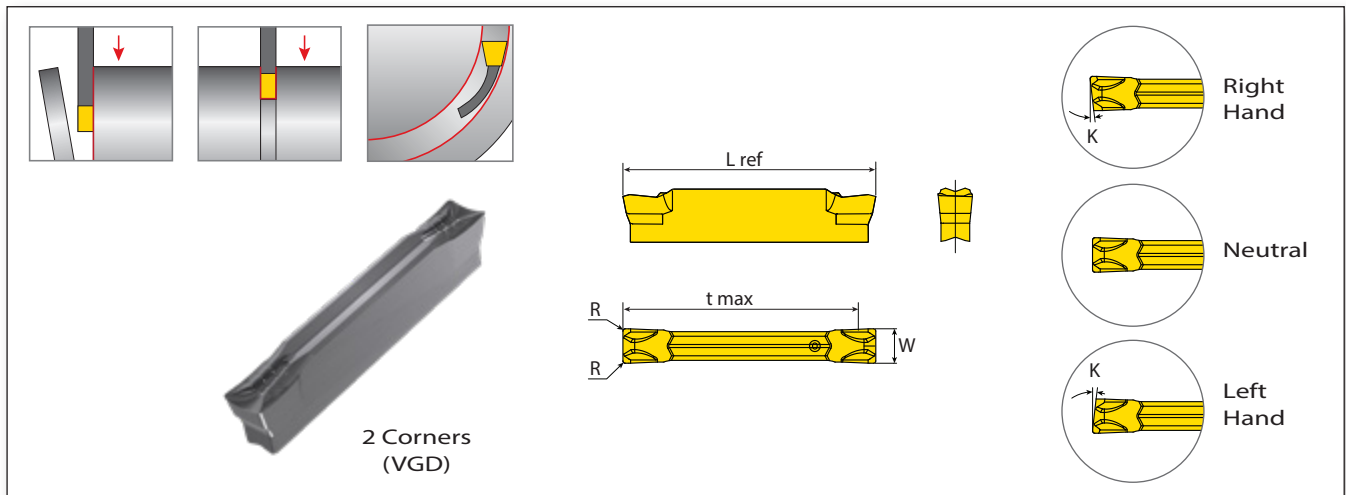
VG-Cut Inserts Ordering Code

VG	D	3.00	020	6R	GP	VPG
1	2	3	4	5	6	7

1 – Line Name VG - VG-Cut	2 – Number of Cutting Corners D - Double S - Single	3 – Insert Width 1.5, 2.0, 3.0, 4.0, 5.0, 6.0 mm	4 – Corner Radius 0.20 mm Threading Standard
5 – RH or LH (for Parting Off) 4, 6, 15 Deg. RH or LH None - Neutral	5 – RH or LH (for Threading) RH Helix LH Helix	6 – Top Rake Geometry GP, GM, GM2, GT, GT2, GR RS - Close to right shoulder LS - Close to left shoulder	7 – Carbide Grade VPG, VMG, VKG

Parting Off & Deep Grooving - Double Sided Inserts

1.5 - 6.0 mm Width

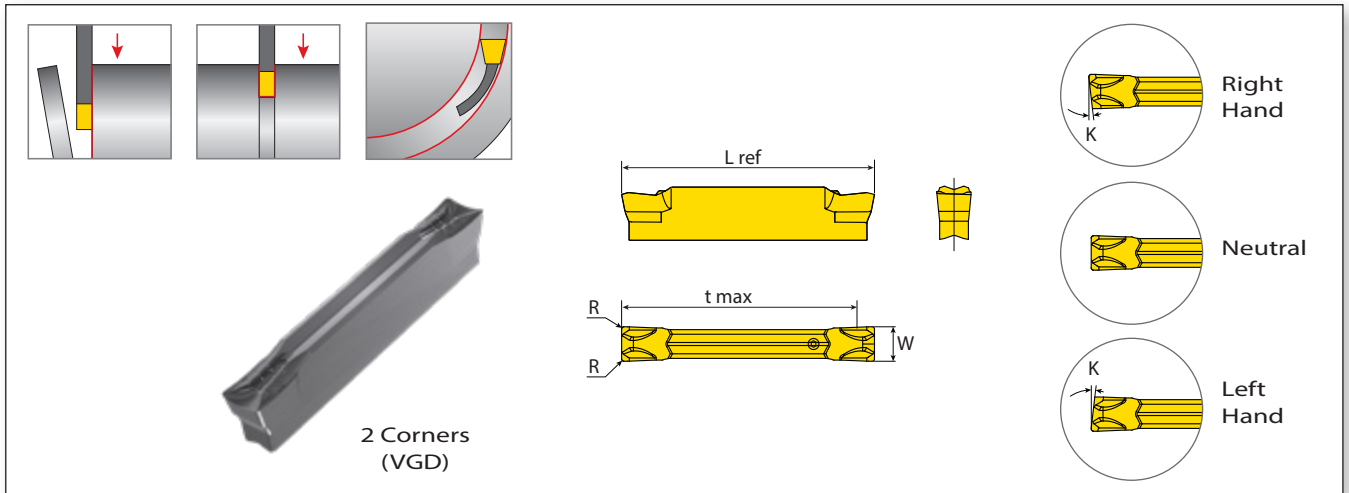



	Pocket Size	Ordering Code	Dimensions mm					Feed Range (mm/rev)	Grade			
			W ^{±0.04}	R	t max	K°	L ref		VPG	VMG	VKG	
Positive cutting edge, for small parts, thin wall pipes & soft materials	GF	2	VGD2.00-015-6R-GF	2.00	0.15	20.0	6.0	22.0	0.03 - 0.10	•	○	○
		2	VGD2.00-015-6L-GF	2.00	0.15	20.0	6.0	22.0	0.03 - 0.10	•	○	○
		2	VGD2.00-020-GF	2.00	0.20	20.0	0.0	22.0	0.03 - 0.10	•	•	○
		2	VGD2.00-020-15R-GF	2.00	0.20	20.0	15.0	22.0	0.03 - 0.08	•	○	○
		2	VGD2.00-020-15L-GF	2.00	0.20	20.0	15.0	22.0	0.03 - 0.08	•	○	○
Positive sharp cutting edge, for low feed & speed	GM	1.5	VGD1.50-012-GM	1.50	0.12	20.0	0.0	22.0	0.03 - 0.10	•	•	-
		1.5	VGD1.50-003-15R-GM	1.50	0.03	20.0	15.0	22.0	0.03 - 0.06	○	•	-
		1.5	VGD1.50-003-15L-GM	1.50	0.03	20.0	15.0	22.0	0.03 - 0.06	○	•	-
		2	VGD2.00-015-GM	2.00	0.15	20.0	0.0	22.0	0.03 - 0.10	•	○	○
		3	VGD3.00-015-GM	3.00	0.15	20.0	0.0	22.0	0.06 - 0.16	•	○	•
		3	VGD3.00-030-GM	3.00	0.30	20.0	0.0	22.0	0.08 - 0.22	•	•	•
		3	VGD3.00-020-6R-GM	3.00	0.20	20.0	6.0	22.0	0.05 - 0.16	•	•	○
		3	VGD3.00-020-6L-GM	3.00	0.20	20.0	6.0	22.0	0.05 - 0.16	•	•	○
		3	VGD3.00-018-15R-GM	3.00	0.18	20.0	15.0	22.0	0.04 - 0.12	○	•	○
		3	VGD3.00-018-15L-GM	3.00	0.18	20.0	15.0	22.0	0.04 - 0.12	○	•	○
		3	VGD3.00-030-GM2	3.00	0.30	20.0	0.0	22.0	0.04 - 0.12	○	•	○
4	VGD4.00-040-GM	4.00	0.40	23.0	0.0	25.0	0.08 - 0.25	•	•	○		
Multipurpose geometry, for general use	GT	2	VGD2.00-020-GT	2.00	0.20	20.0	0.0	22.0	0.03 - 0.12	•	○	•
		3	VGD3.00-030-GT	3.00	0.30	20.0	0.0	22.0	0.05 - 0.15	•	○	•
		4	VGD4.00-020-GT	4.00	0.20	23.0	0.0	25.0	0.05-0.15	•	○	○
		4	VGD4.00-040-GT	4.00	0.40	23.0	0.0	25.0	0.05 - 0.18	•	○	•
		4	VGD4.00-080-GT	4.00	0.80	23.0	0.0	25.0	0.05 - 0.22	•	○	○
		5	VGD5.00-040-GT	5.00	0.40	23.0	0.0	25.0	0.08 - 0.25	•	○	•
		5	VGD5.00-080-GT2	5.00	0.80	23.0	0.0	25.0	0.06 - 0.22	•	○	○
		6	VGD6.00-040-GT	6.00	0.40	23.0	0.0	25.0	0.10 - 0.25	•	○	•
6	VGD6.00-080-GT	6.00	0.80	23.0	0.0	25.0	0.10 - 0.28	•	○	○		
Round multipurpose geometry for profiling & undercut	GR	2	VGD2.00-100-GR	2.00	1.00	18.0	0.0	22.0	0.03 - 0.12	•	○	•
		3	VGD3.00-150-GR	3.00	1.50	18.0	0.0	22.0	0.05 - 0.15	•	○	•
		4	VGD4.00-200-GR	4.00	2.00	20.0	0.0	25.0	0.05 - 0.18	•	○	•
		5	VGD5.00-250-GR	5.00	2.50	20.0	0.0	25.0	0.06 - 0.20	•	○	○
		6	VGD6.00-300-GR	6.00	3.00	20.0	0.0	25.0	0.06 - 0.20	•	○	•

• In stock • Available upon request

Parting Off & Deep Grooving - Double Sided Inserts (con't)

2.0 - 6.0 mm Width

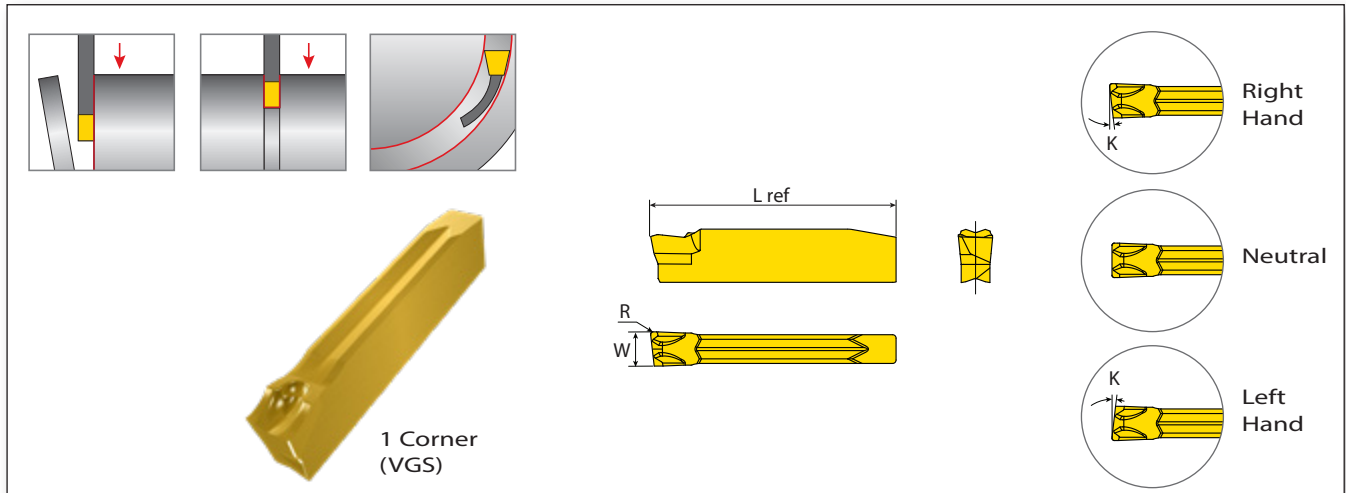


	Pocket Size	Ordering Code	Dimensions mm					Feed Range (mm/rev)	Grade		
			$W_{\pm 0.04}$	R	t_{max}	K°	L_{ref}		VPG	VMG	VKG
Blunt reinforced cutting edge for high feed & speed 	2	VGD2.00-020-GP	2.00	0.20	20.0	0.0	22.0	0.03 - 0.14	•	•	•
	2	VGD2.00-015-6R-GP	2.00	0.15	20.0	6.0	22.0	0.04 - 0.12	◦	•	◦
	2	VGD2.00-015-6L-GP	2.00	0.15	20.0	6.0	22.0	0.04 - 0.12	◦	•	◦
	2	VGD2.00-020-15R-GP	2.00	0.20	20.0	15.0	22.0	0.03 - 0.10	•	•	◦
	2	VGD2.00-020-15L-GP	2.00	0.20	20.0	15.0	22.0	0.03 - 0.10	◦	•	◦
	3	VGD3.00-020-GP	3.00	0.20	20.0	0.0	22.0	0.06 - 0.20	•	•	•
	3	VGD3.00-015-6R-GP	3.00	0.15	20.0	6.0	22.0	0.06 - 0.16	•	•	•
	3	VGD3.00-015-6L-GP	3.00	0.15	20.0	6.0	22.0	0.06 - 0.16	•	•	◦
	4	VGD4.00-030-GP	4.00	0.30	23.0	0.0	25.0	0.08 - 0.24	•	•	•
	4	VGD4.00-020-4R-GP	4.00	0.20	23.0	4.0	25.0	0.06 - 0.22	◦	•	◦
	4	VGD4.00-020-4L-GP	4.00	0.20	23.0	4.0	25.0	0.06 - 0.22	◦	•	◦
	5	VGD5.00-040-GP	5.00	0.40	23.0	0.0	25.0	0.08 - 0.28	•	◦	•
	6	VGD6.00-040-GP	6.00	0.40	23.0	0.0	25.0	0.10 - 0.30	•	•	•

• In stock ◦ Available upon request

Parting Off & Deep Grooving - Single Sided Inserts

2.0 - 4.0 mm Width

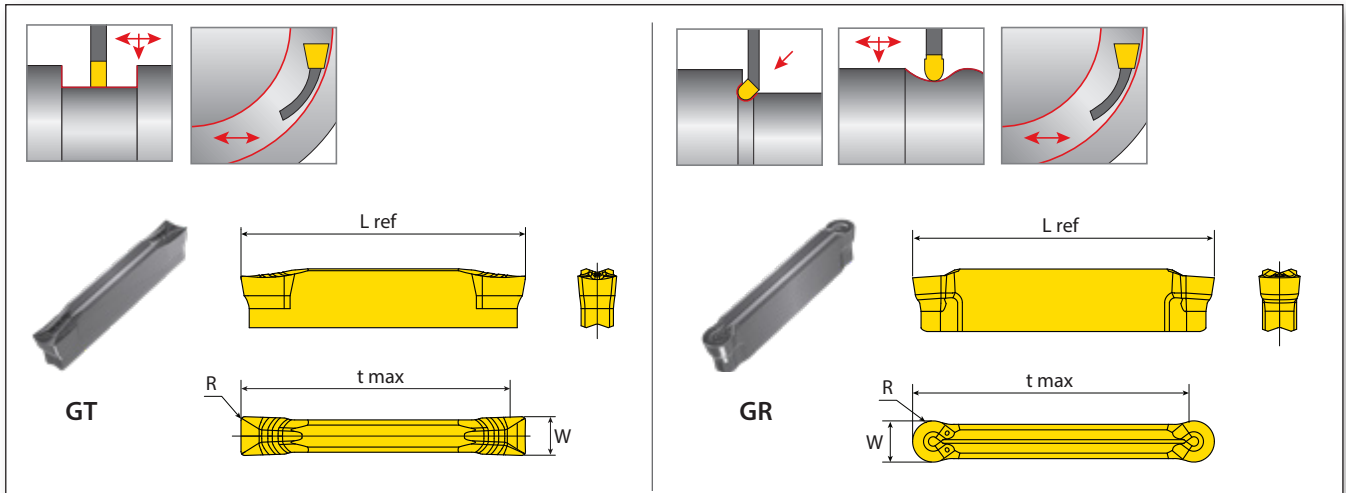




	Pocket Size	Ordering Code	Dimensions mm					Feed Range (mm/rev)	Grade				
			W ±0.04	R	t max	K°	L ref		VPG	VMG	VKG		
Positive cutting edge, for small parts, thin wall pipes & soft materials	GF		2	VGS2.00-015-6R-GF	2.00	0.15	∞	6.0	21.3	0.03 - 0.10	○	●	○
			2	VGS2.00-015-6L-GF	2.00	0.15	∞	6.0	21.3	0.03 - 0.10	○	●	○
Positive sharp cutting edge, for low feed & speed	GM		3	VGS3.00-020-GM	3.00	0.20	∞	0.0	22.0	0.08 - 0.22	●	●	○
			3	VGS3.00-020-6R-GM	3.00	0.20	∞	6.0	21.3	0.05 - 0.16	○	●	○
			4	VGS4.00-040-GM	4.00	0.40	∞	0.0	25.0	0.08 - 0.25	●	●	○
			4	VGS4.00-040-4R-GM	4.00	0.40	∞	4.0	24.3	0.06 - 0.18	○	●	○
			4	VGS4.00-040-4L-GM	4.00	0.40	∞	4.0	24.3	0.06 - 0.18	○	●	○
Blunt reinforced cutting edge for high feed & speed	GP		3	VGS3.00-020-GP	3.00	0.20	∞	0.0	22.0	0.06 - 0.20	●	●	○
			3	VGS3.00-020-6R-GP	3.00	0.20	∞	6.5	21.3	0.06 - 0.16	○	●	○
			3	VGS3.00-020-6L-GP	3.00	0.20	∞	6.5	21.3	0.06 - 0.16	○	●	○
			4	VGS4.00-030-GP	4.00	0.30	∞	0.0	25.0	0.08 - 0.24	●	●	○
			4	VGS4.00-030-4R-GP	4.00	0.30	∞	4.0	24.3	0.06 - 0.22	○	●	○
4	VGS4.00-030-4L-GP	4.00	0.30	∞	4.0	24.3	0.06 - 0.22	○	●	○			

● In stock ○ Available upon request

Turning & Profiling

2.0 - 6.0 mm Width

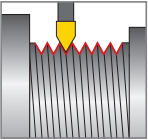


	Pocket Size	Ordering Code	Dimensions mm					Feed Range (mm/rev)	Grade		
			$W_{\pm 0.04}$	R	t max	K°	L ref		VPG	VMG	VKG
Positive rake chip former with multifunctional chip control. Low cutting forces during cutting. 	2	VGD2.00-020-GT	2.00	0.20	20.0	0.0	22.0	0.03 - 0.12	•	◦	•
	3	VGD3.00-030-GT	3.00	0.30	20.0	0.0	22.0	0.05 - 0.15	•	◦	•
	4	VGD4.00-020-GT	4.00	0.20	23.0	0.0	25.0	0.05-0.15	•	◦	◦
	4	VGD4.00-040-GT	4.00	0.40	23.0	0.0	25.0	0.05 - 0.18	•	◦	•
	4	VGD4.00-080-GT	4.00	0.80	23.0	0.0	25.0	0.05 - 0.22	•	◦	◦
	5	VGD5.00-040-GT	5.00	0.40	23.0	0.0	25.0	0.08 - 0.25	•	◦	•
	5	VGD5.00-080-GT2	5.00	0.80	23.0	0.0	25.0	0.06 - 0.22	•	◦	◦
	6	VGD6.00-040-GT	6.00	0.40	23.0	0.0	25.0	0.10 - 0.25	•	◦	•
Round shape geometric design for profiling. Positive rake chip former and multifunctional chip control for undercut and profiling. 	2	VGD2.00-100-GR	2.00	1.00	18.0	0.0	22.0	0.03 - 0.12	•	◦	•
	3	VGD3.00-150-GR	3.00	1.50	18.0	0.0	22.0	0.05 - 0.15	•	◦	•
	4	VGD4.00-200-GR	4.00	2.00	20.0	0.0	25.0	0.05 - 0.18	•	◦	•
	5	VGD5.00-250-GR	5.00	2.50	20.0	0.0	25.0	0.06 - 0.20	•	◦	◦
	6	VGD6.00-300-GR	6.00	3.00	20.0	0.0	25.0	0.06 - 0.20	•	◦	•


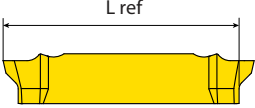
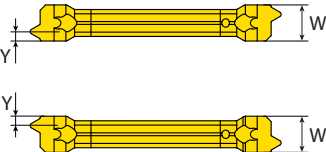

• In stock ◦ Available upon request

Threading

3.0 mm Width

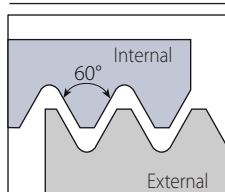


RS/LS Varied range of threading standards for machining between shoulders and close to spindle.

To be used with Monoblock tools (VGE..T08 or T12) or reinforced monoblock tools (PH) only.

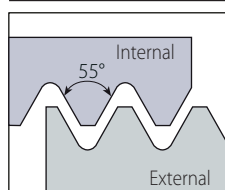
Partial Profile 60°



Pocket Size	Ordering Code	Dimensions mm					No. of Passes	Helix Deg	Grade	Min. Thread Diameter
		W ref	Pitch mm	R	Y	L ref				
3	VGD3.0A60RH	3.00	0.5-1.5	0.05	1.68	21.9	5 - 8	1.5°	●	Partial Profile A60

● In stock ○ Available upon request

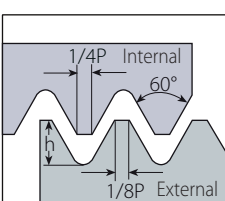
Partial Profile 55°



Pocket Size	Ordering Code	Dimensions mm					No. of Passes	Helix Deg	Grade	Min. Thread Diameter
		W ref	Pitch TPI	R	Y	L ref				
3	VGD3.0A55RH	3.00	48-16	0.05	1.68	21.9	5 - 8	1.5°	●	Partial Profile A55

● In stock ○ Available upon request

ISO Metric



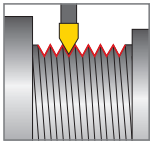
Defined by: R262 (DIN 13)
Tolerance class: 6g

Pocket Size	Ordering Code	Dimensions mm					No. of Passes	Helix Deg	Grade	Min. Thread Diameter
		W ref	Pitch mm	h min	Y	L ref				
3	VGD3.0ISO0.4RH-LS	3.00	0.40	0.25	0.37	3 - 7	4°	●	M2x0.4	
3	VGD3.0ISO0.50RH-RS/LS		0.50	0.31	0.53	5 - 7		●	M3x0.5	
3	VGD3.0ISO0.70RH-RS/LS		0.70	0.43	0.64	5 - 8		●	M4x0.7 Coarse	
3	VGD3.0ISO0.75RH-RS/LS		0.75	0.46	0.64	5 - 8		●	M5x0.75	
3	VGD3.0ISO0.75LH-LS		0.75	0.46	0.64	5 - 8		●	M5x0.75	
3	VGD3.0ISO0.80RH-RS/LS		0.80	0.49	0.64	5 - 8		●	M5x0.8 Coarse	
3	VGD3.0ISO1.00RH-RS/LS		1.00	0.61	0.74	5 - 9	2.5°	●	M6x1	
3	VGD3.0ISO1.25RH-RS/LS		1.25	0.77	0.85	6 - 10		●	M8x1.25	
3	VGD3.0ISO1.50RH-RS/LS		1.50	0.92	1.10	7 - 12		●	M10x1.5 Coarse	
3	VGD3.0ISO1.75RH-RS/LS		1.75	1.07	1.20	8 - 14		●	M12x1.75 Coarse	
3	VGD3.0ISO2.00RH-RS/LS		2.00	1.23	1.30	9 - 14		●	M16x2.0 Coarse	
3	VGD3.0ISO2.50RH-RS/LS		2.50	1.53	1.55	8 - 14		●	M18x2.5 Coarse	


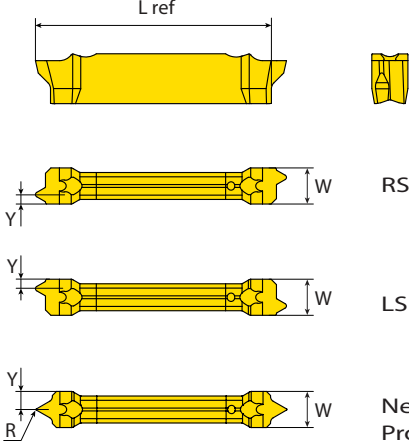
● In stock ○ Available upon request

Threading

3.0 mm Width (con't)



RS/LS Varied range of threading standards for machining between shoulders and close to spindle.

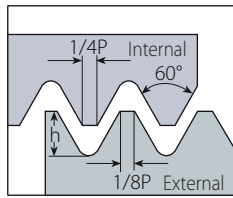
RS Full Profile

LS Full Profile

Neutral Full Profile

To be used with Monoblock tools (VGE..T08 or T12) or reinforced monoblock tools (PH) only.

American UN

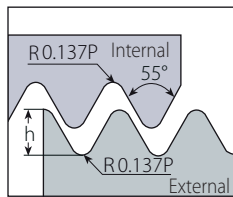


Defined by: ANSI B1.1:74
Tolerance class: 2A

Pocket Size	Ordering Code	Dimensions mm					No. of Passes	Helix Deg	Grade	Min. Thread Diameter
		W ref	Pitch TPI	h min	Y	L ref				
3	VGD3.0UN80RH-RS/LS		80	0.18	0.35	3 - 5	4°	VPG	•	No.0-80UNF
3	VGD3.0UN72RH-LS		72	0.22	0.38	3 - 5				No.1-72UNF
3	VGD3.0UN56RH-RS/LS		56	0.28	0.40	3 - 6				No.2-56UNC
3	VGD3.0UN40RH-RS/LS		40	0.39	0.60	3 - 7	2.5°	VPG	•	No.4-40UNC
3	VGD3.0UN32RH-RS/LS		18	0.87	0.93	5 - 8				5/32"-32UNC
3	VGD3.0UN28RH-RS/LS		28	0.56	0.71	5 - 9				3/16"-28UNC
3	VGD3.0UN24RH-RS/LS	3.00	24	0.65	0.77	5 - 9	21.9	VPG	•	7/32"-24UNC
3	VGD3.0UN20RH-RS/LS		20	0.78	0.86	6 - 10				1/4"-20UNC
3	VGD3.0UN18RH-RS/LS		18	0.87	0.93	7 - 12				5/16"-18UNC
3	VGD3.0UN18LH-LS		18	0.87	0.93	7 - 12	2.5°	VPG	•	5/16"-18UNC
3	VGD3.0UN16RH-RS/LS		16	0.97	1.10	7 - 12				3/8"-16UNC
3	VGD3.0UN14RH-RS/LS		14	1.11	1.09	8 - 14				7/16"-14UNC
3	VGD3.0UN12RH-RS/LS		12	1.30	1.30	8 - 14	2.5°	VPG	•	9/16"-14UNC

• In stock ◦ Available upon request | LH Helix threads available upon request

Whitworth

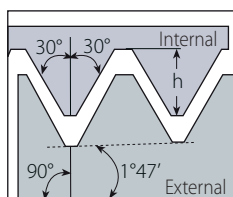


Defined by: B.S.84:1956,
DIN 259, ISO228/1:1982
Tolerance class:
Medium class A

Pocket Size	Ordering Code	Dimensions mm					No. of Passes	Helix Deg	Grade	Min. Thread Diameter
		W ref	Pitch TPI	h min	Y	L ref				
3	VGD3.0W36RH-LS		19	0.86	0.95	5 - 8	2.5°	VPG	•	
3	VGD3.0W32RH-LS		14	1.16	1.15	5 - 8				
3	VGD3.0W26RH-LS	3.00	11	1.48	1.68	5 - 8				
3	VGD3.0W19RH-RS/LS		36	0.45	0.60	7 - 12	21.9	VPG	•	1/2"-19BSW
3	VGD3.0W14RH-RS/LS		32	0.51	0.60	8 - 14				1/2"-14BSW
3	VGD3.0W11RH/LH		26	0.63	0.75	8 - 14				5/8"-11BSW

• In stock ◦ Available upon request | LH Helix threads available upon request

NPT



Defined by:
USAS B2.1:1968
Tolerance class: Standard NPT

Pocket Size	Ordering Code	Dimensions mm					No. of Passes	Helix Deg	Grade	Min. Thread Diameter
		W ref	Pitch TPI	h min	Y	L ref				
3	VGD3.0NPT18RH-RS/LS		18	1.01	1.20	7 - 12	1.5°	VPG	•	1/4"-18NPT
3	VGD3.0NPT14RH-RS/LS	3.00	14	1.33	1.40	8 - 14				1/2"-14NPT
3	VGD3.0NPT11.5RH/LH		11.5	1.64	1.60	9 - 15				1"-11.5NPT
3	VGD3.0NPT11.5RH-RS/LS		11.5	1.64	1.60	9 - 15	1.5°	VPG	◦	1"-11.5NPT

• In stock ◦ Available upon request | LH Helix threads available upon request

VG-Cut Tools

External Monoblock Tools with HPC	31	NEW
External Monoblock Tools	32	
Reinforced Monoblock Tools with HPC	33	NEW
Reinforced Monoblock Tools	34	
Blades with HPC	35	
Blades	35	
Reinforced Blades (Screw Clamping) with HPC	36	NEW
Reinforced Blades (Screw Clamping)	37	
Reinforced Blades	38	
Blade Holders	38	
Radial Modules	39	
Modular Bodies	40	
Radial Modules with HPC	41	
Face Grooving Modules with HPC	42	
Modular Bodies with HPC	43	
Modular V-CAP Holders with HPC	44	

VG-Cut Tools Ordering Code

Monoblock Toolholders

VG	E	R	2525	3	T12	PH	C
1	2	9	3	4	5	10	11

Blades

VG	P	32	4	D	C
1	2	7	4	8	11

Modules

VG	A	R	20	T25	4	S	C
1	2	9	7	5	4	8	11

Face Grooving Modules

VG	F	R	4860	T24	4	C
1	2	9	12	5	4	11

Blade Holders / Modular Bodies

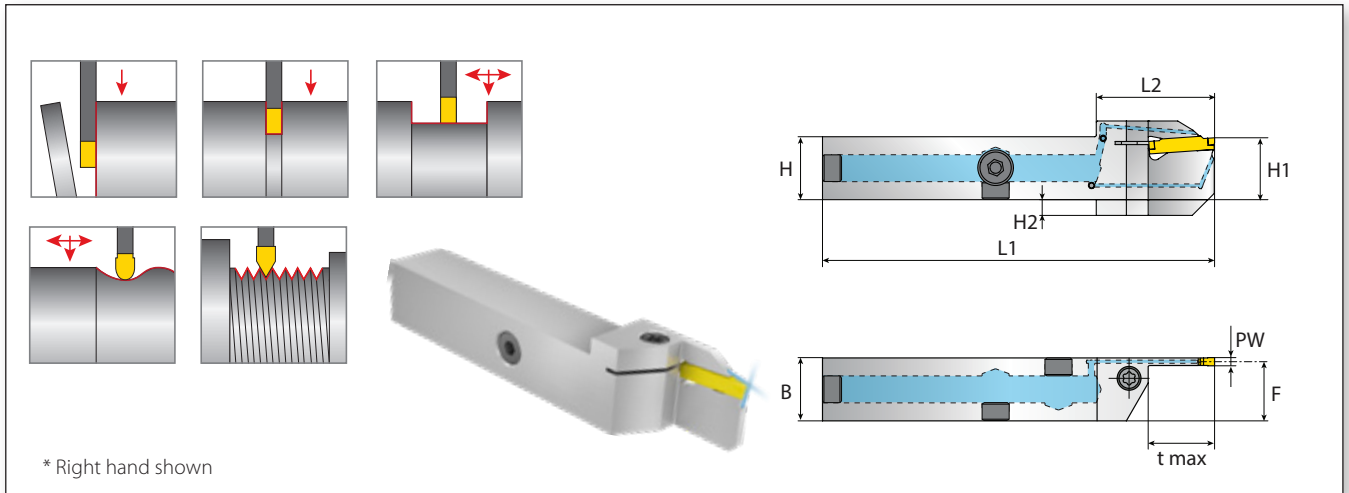
VB	A	R	2525	32	C
1	6	9	3	7	11



V-CAP Bodies

VB	C	R	C5	-	90	-	C
1	2	9	3		7		11

1 – Tools/holders VG - Holders, Blades, Modules VB - Blade Holders, Modular Bodies	2 – Type A - Radial module C - V-CAP body E - External tool F - Face module M - Square body P - Universal blade W - Reinforced blade WS - Reinforced blade with screw clamping	3 – For External Holders Shank Size	4 – Pocket Size 1.5, 2, 3, 4, 5, 6
		3 – For V-CAP Holders Polygon Size (C4, C5, C6)	
5 – Depth of Cut T12 - Limit Depth of Cut 12 mm	6 – Holders A - Universal	7 – Blade Height 20, 25, 26, 32 00, 45, 90 Approach angle	8 – Number of Pockets D - Double S - Single
9 – RH or LH R - RH L - LH None - Neutral	10 – PH PH - Reinforced blade structure	11 – Coolant C - Coolant	12 – Dmin - Dmax Dmin - Dmax (For Face Grooving)

External Monoblock Tools with High Pressure Coolant Thru Grooving, Parting Off, Turning & Threading

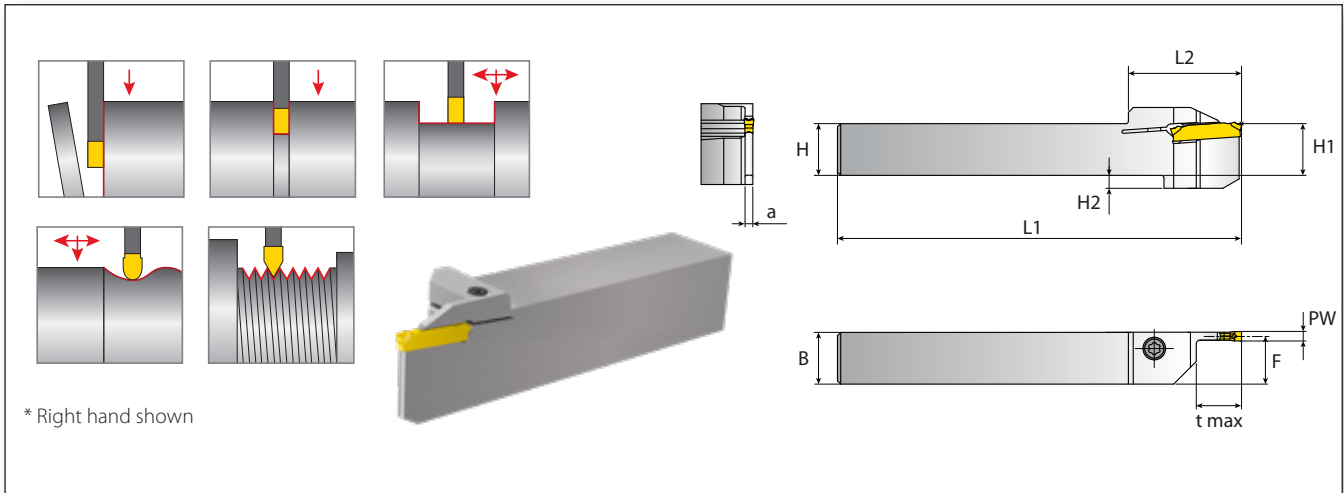


Ordering Code		Dimensions mm							Spare Parts	
RH/LH	PW	t max	HXB	H1	F	L1	L2	a		
VGER/L2020-3T12C	3	12	20x20	20	18.8	124.6	28.5	2.4	Cylindrical Screw*	Key
VGER/L2020-3T21C		21	20x20	20	18.8	124.6	37.6	2.4		
VGER/L2525-3T12C		12	25x25	25	23.8	124.6	30.6	2.4		
VGER/L2525-3T21C		21	25x25	25	23.8	124.6	37.6	2.4		
VGER/L2525-4T21C	4	21	25x25	25	23.3	124.6	37.6	2.4	SM5x20-T25	K6T

* Recommended Tightening torque: PW3 - 4.5 Nm, PW4 - 5Nm

External Monoblock Tools

Grooving, Parting Off, Turning & Threading



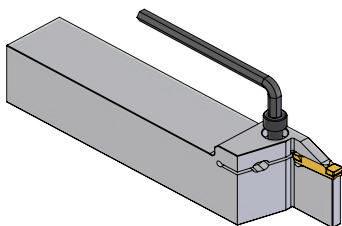
* Right hand shown

Ordering Code		Dimensions mm								Spare Parts		
RH/LH	PW	t max	HXB	H1	H2	F	L1	L2	a			
VGER/L1616-2NT12	2	12	16x16	16	4	15.1	125	35	1.8	SM4x16-T20	K4TF	-
VGER/L2020-2NT12		12	20x20	20	-	19.1	125	35	1.8			
VGER/L2525-2NT08		8	25x25	25	-	24.1	125	35	1.8			
VGER/L1212-3NT08	3	8	12x12	12	4	10.75	125	35	2.5	SM3.5X14-T15	-	KT-15
VGER/L1212-3NT12		12	12x12	12	4	10.75	125	35	2.5			
VGER/L1616-3NT12		12	16x16	16	4	14.75	125	35	2.5			
VGER/L1616-3NT21		21	16x16	16	4	14.75	125	35	2.5			
VGER/L2020-3NT08		8	20x20	20	-	18.75	125	35	2.5			
VGER/L2020-3NT12		12	20x20	20	-	18.75	125	35	2.5			
VGER/L2020-3NT21		21	20x20	20	-	18.75	125	35	2.5			
VGER/L2525-3NT08		8	25x25	25	-	23.75	125	35	2.5			
VGER/L2525-3NT12		12	25x25	25	-	23.75	125	35	2.5			
VGER/L2525-3NT21		21	25x25	25	-	23.75	125	35	2.5			
VGER/L1616-4NT21		4	21	16x16	16	4	14.3	125	35			
VGER/L2020-4NT12	12		20x20	20	-	18.3	125	35	3.4			
VGER/L2020-4NT21	21		20x20	20	-	18.3	125	35	3.4			
VGER/L2525-4NT08	8		25x25	25	-	23.3	125	35	3.4			
VGER/L2525-4NT12	12		25x25	25	-	23.3	125	35	3.4			
VGER/L2525-4NT21	21		25x25	25	-	23.3	125	35	3.4			
VGER/L3232-4NT21	21		32x32	32	-	30.3	125	35	3.4			
VGER/L2525-5T22**	5		22	25x25	25	23.0	150	43	4.0	-	SM6x20	-
VGER/L3232-5T22**		32x32		32	30.0	170	43	4.0	-			
VGER/L2525-6T24**	6	24	25x25	25	22.5	150	45	5.0	-	SM6x20	-	K5H
VGER/L3232-6T24**			32x32	32	29.5	170	45	5.0	-			

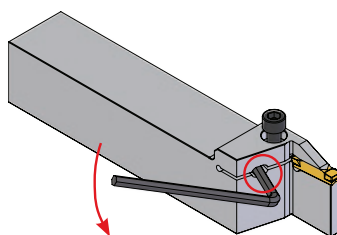
* Tightening Torque: PW2 - 3Nm, PW3/4/5/6 - 5Nm

** Mounting and Replacing Inserts for 5mm & 6mm Monoblock Toolholders:

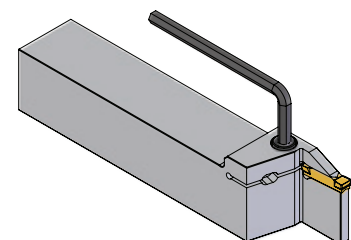
1 Unlock the top screw using the key provided.



2 Place the same key in the "pocket." Turn and hold the key to loosen the pocket and remove the insert. Place the new insert in the pocket.



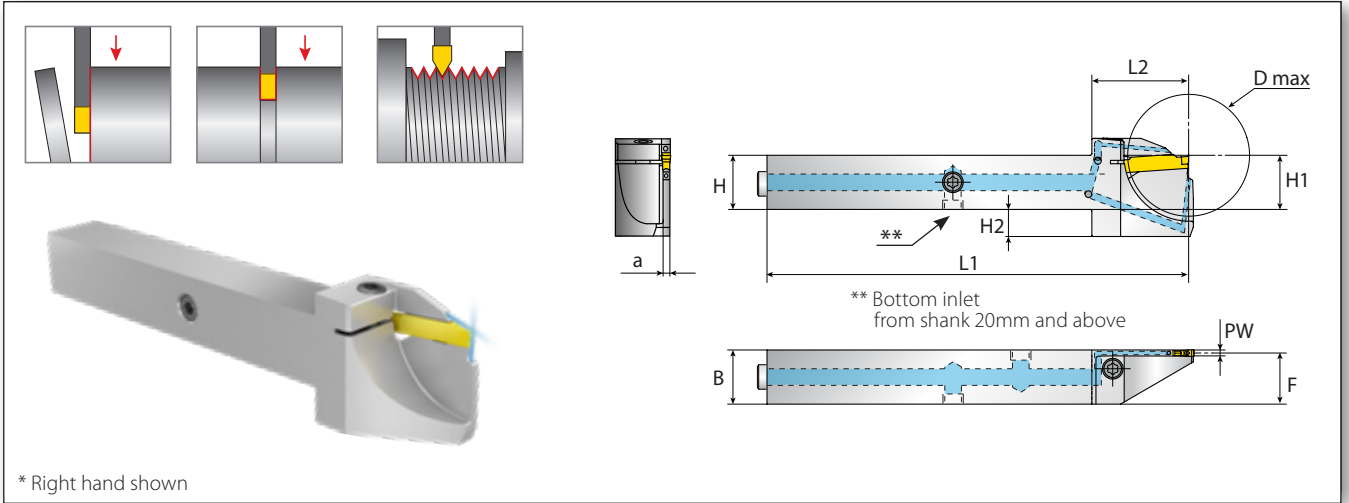
3 Now remove the key from the pocket and secure the insert by firmly locking the top screw.



| Tools should not be clamped without an insert inside the pocket.

Reinforced Monoblock Tools with High Pressure Coolant Thru Grooving, Parting Off & Threading

NEW



* Right hand shown

Ordering Code		Dimensions mm									Spare Parts							
RH/LH	PW	D max	HXB	H1	F	L1	L2	a	H2	Cylindrical Screw*	Key	Plug Screw x2						
VGER/L1010-1.5T10-PHC	1.5	20	10x10	10	9.35	110	24.6	1.3	7	SM4x14 T15	KT-15	Plug M6x6						
VGER/L1212-1.5T10-PHC		20	12x12	12	11.35	125	22.6		5									
VGER/L1616-1.5T10-PHC		20	16x16	16	15.35	125	22.6		2									
VGER/L1010-2T10PHC	2	20	10x10	10	9.1	109.6	26	1.8	7			SM4x14 T15	KT-15	Plug M6x6				
VGER/L1212-2T12PHC		24	12x12	12	11.1	124.6	24		6									
VGER/L1616-2T12PHC		24	16x16	16	15.1	124.6	24		2									
VGER/L1616-2T18PHC	2	36	16x16	16	15.1	124.6	30	2.4	8					SM4x14 T15	KT-15	Plug M6x6		
VGER/L2020-2T18PHC		36	20x20	20	19.1	124.6	30		4									
VGER/L1212-3T12PHC		24	12x12	12	10.8	124.6	24		6									
VGER/L1616-3T12PHC	3	24	16x16	16	14.8	124.6	24	2.4	2							SM4x14 T15	KT-15	Plug G1/8"
VGER/L2020-3T21PHC		42	20x20	20	18.8	124.6	32		7									
VGER/L2525-3T21PHC		42	25x25	25	23.8	124.6	32		2									

* Recommended Tightening Torque: 1.5, 2.0 mm width - 4 Nm max | 3.0 mm width - 5 Nm max.

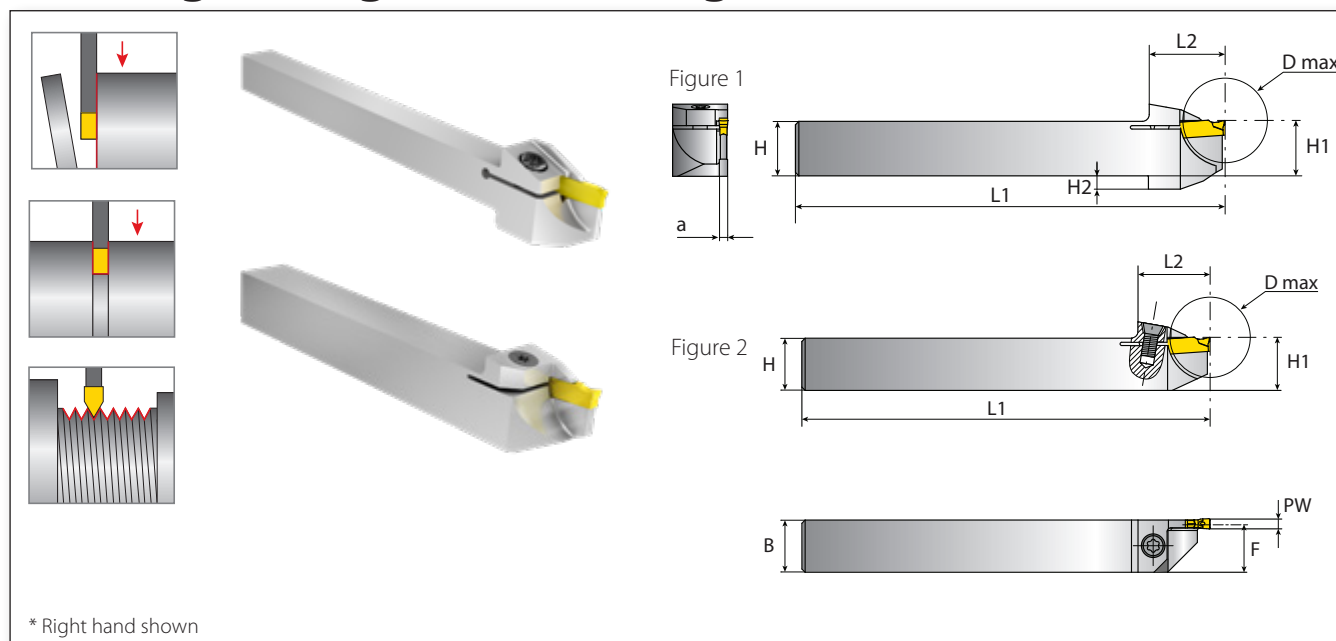
Standard Key K3TF is supplied with tool. A torque meter can be ordered separately for greater tightening accuracy.

The following VARGUS accessories for use with HPC can be ordered separately:

1. Tube Connector 25-6P (x1)
 2. Fittings (x2): Angled Fitting M6x6P or Straight Fitting M6x6P
- For more information see page 21.

Reinforced Monoblock Tools NEW

Grooving, Parting Off & Threading



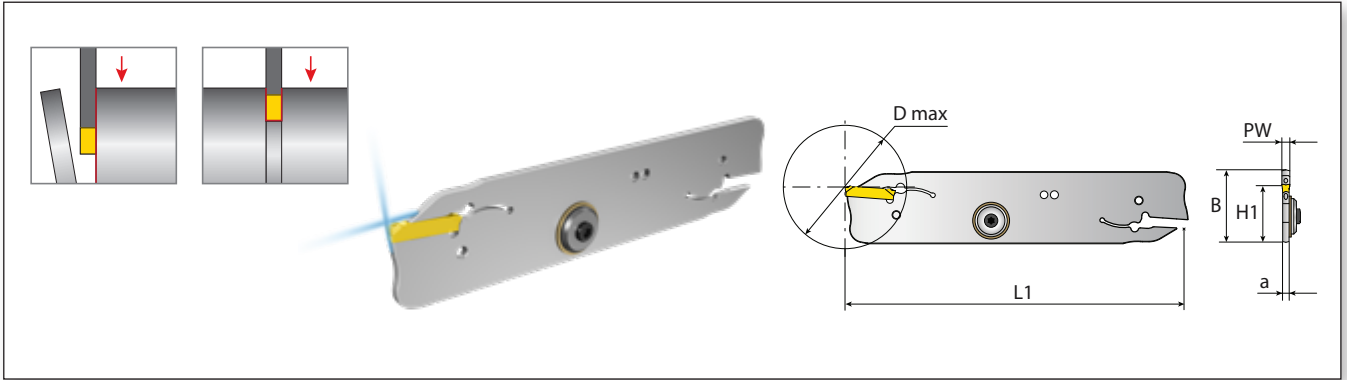
Ordering Code		Dimensions mm								Spare Parts					
RH/LH	PW	D max	HXB	H1	H2	F	L1	L2	a						
VGER/L1010-1.5T6.5-PH	1.5	13	10x10	10	4	9.35	125	22	1.3	SCM4x14-T15	K3TF	-			
VGER/L1010-1.5T10-PH		20	10x10	10	4	9.35	125	22	1.3						
VGER/L1212-1.5T6.5-PH		13	12x12	12	-	11.35	125	22	1.3						
VGER/L1212-1.5T10-PH		20	12x12	12	-	11.35	125	22	1.3						
VGER/L1616-1.5T10-PH		20	16x16	16	-	15.35	125	22	1.3						
VGER/L1010-2T12PH	2	24	10x10	10	4	9.1	125	22	1.8	SCM4x14-T15	K3TF	-			
VGER/L1212-2T08PH		16	12x12	12	-	11.1	125	22	1.8						
VGER/L1212-2T12PH		24	12x12	12	-	11.3	125	22	1.4						
VGER/L1616-2T12PH		24	16x16	16	-	15.3	125	22	1.4						
VGER/L1616-2T21PH		1.65	16x16	16	-	15.3	125	30	1.4						
VGER/L2020-2T12PH		24	20x20	20	-	19.3	125	22	1.4						
VGER/L2020-2T21PH		1.65	20x20	20	-	19.3	125	30	1.4						
VGER/L2525-2T21PH		42	25x25	25	-	24.3	125	30	1.4						
VGER/L1616-3T12PH		24	16x16	16	-	14.8	125	22	2.4				SCM4x14-T15	-	KT-15
VGER/L1616-3T21PH		42	16x16	16	-	18.8	125	30	2.4						
VGER/L2020-3T12PH	24	20x20	20	-	18.8	125	22	2.4							
VGER/L2020-3T21PH	42	20x20	20	-	18.8	125	30	2.4							
VGER/L2525-3T12PH	24	25x25	25	-	23.8	125	22	2.4							
VGER/L2525-3T21PH	42	25x25	25	-	23.8	125	30	2.4							

*Tightening Torque: 1.5, 2.0 mm width - **Cannot Exceed** 3 Nm max | 3.0 mm width - 5 Nm max.

Standard Key K3TF is supplied with tool. A torque meter can be ordered separately for greater tightening accuracy.

| Tools should not be clamped without an insert inside the pocket.

Blades with High Pressure Coolant Thru Grooving, Parting Off



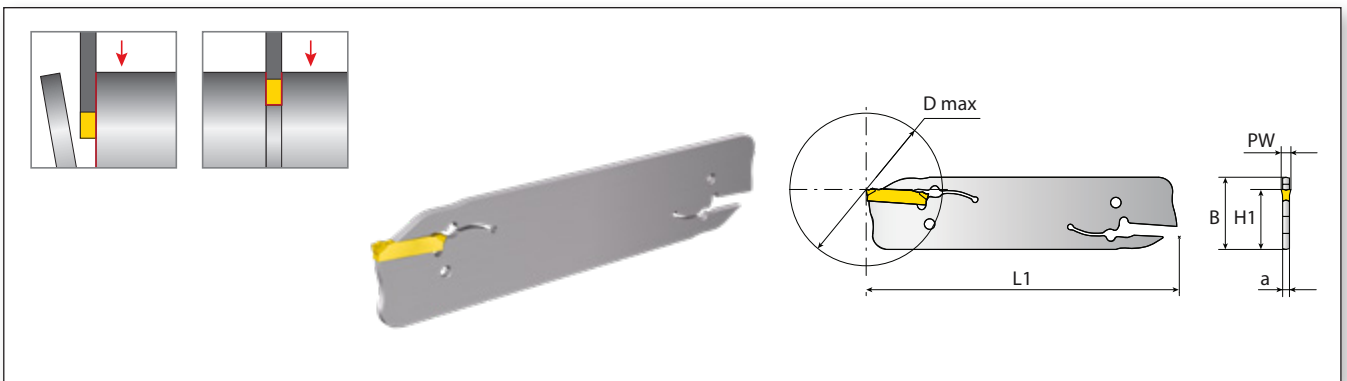
Ordering Code	Dimensions mm						Spare Parts		
	B	PW	D max*	H1	L1	a	Key**	Sealing Cap Key***	Sealing Cap
VGP26-3DC	26	3	70	21.4	110	2.5	VP-3	Key WS-15IP	WS-15IP
VGP32-3DC	32	3	100	24.8	150	2.5	VP-3	Key WS-15IP	WS-15IP
VGP32-4DC	32	4	100	24.8	150	3.4	VP-4	Key WS-15IP	WS-15IP

! Blades marked with C are offered with High Pressure Coolant.

* D max figures presented are for single sided insert (VGS).

** Not included. Please order separately.

Blades Grooving & Parting Off



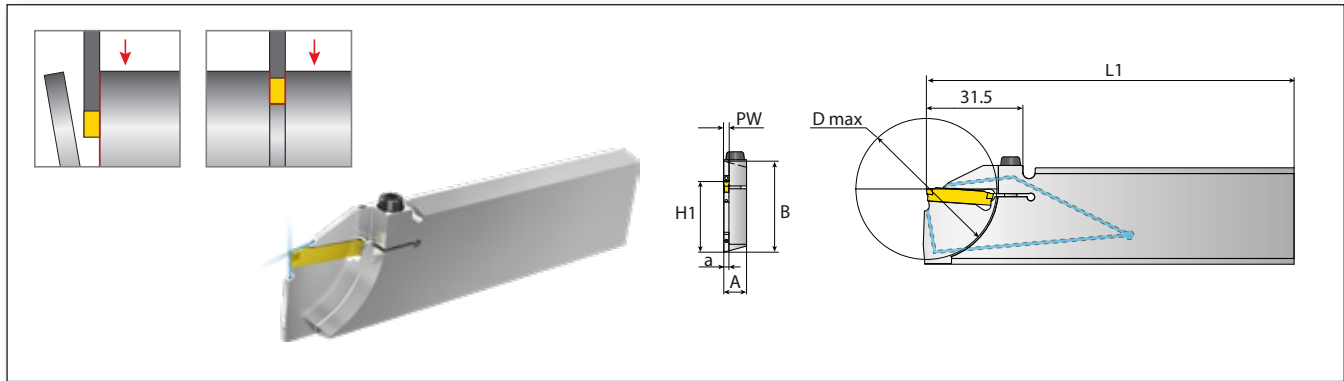
Ordering Code	Dimensions mm						Spare Parts
	B	PW	D max*	H1	L1	a	Key**
VGP26-2D	26	2	50	21.4	110	1.8	VP-3
VGP32-2D	32	2	50	24.8	150	1.8	
VGP26-3D	26	3	70	21.4	110	2.5	
VGP32-3D	32	3	100	24.8	150	2.5	
VGP35-3S	35	3	100	33.5	150	2.5	
VGP32-4D	32	4	100	24.8	150	3.4	VP-4
VGP32-5D	32	5	100	24.8	150	4.0	VP-G
VGP32-6D	32	6	100	24.8	150	5.2	



* D max figures presented are for single sided insert (VGS).

** Not included. Please order separately.

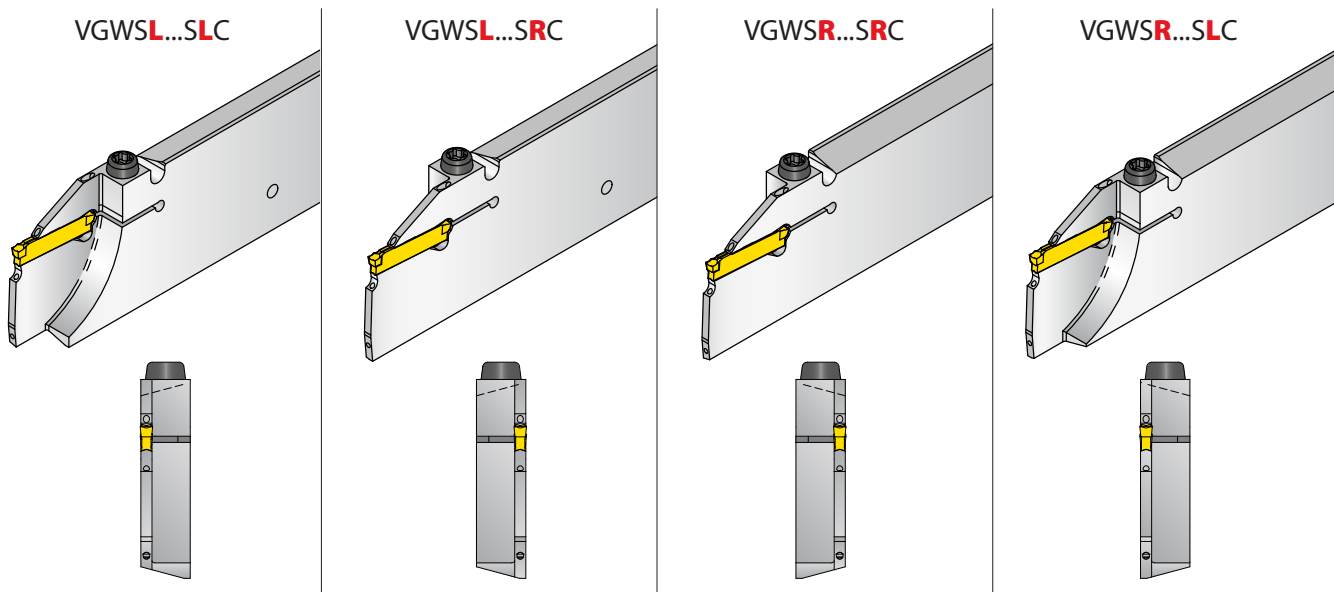
Reinforced Blades (Screw Clamping) with High Pressure Coolant Thru | Grooving, Parting Off

NEW



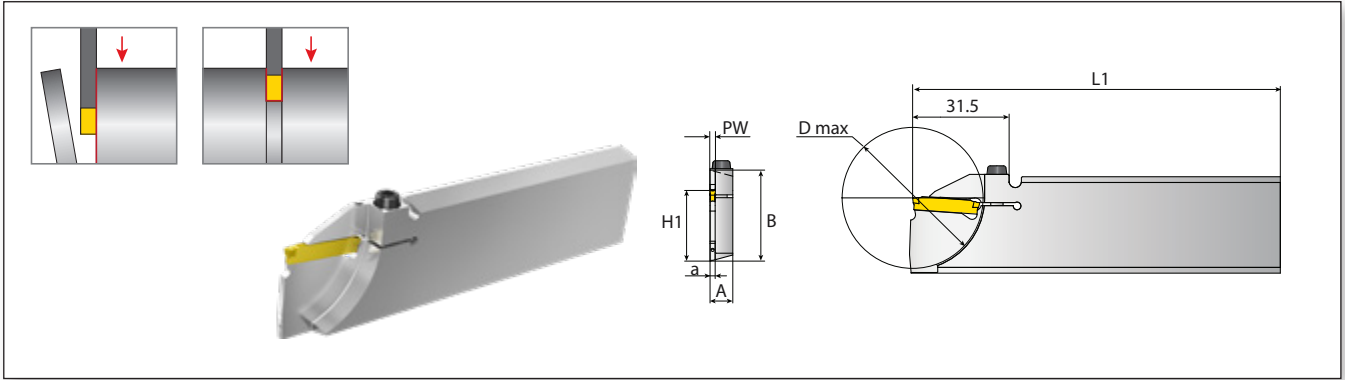
Ordering Code								Dimensions mm		Spare Parts	
RH/LH	B	PW	D max*	H1	L1	A	a				
								Screw**	Key		
VGWSR 26-2SRC	26	2	46	21.4	110	8	1.8	SM4.0x16-T20	K6T		
VGWSR 26-2SLC	26	2	46	21.4	110	8	1.8				
VGWSL 26-2SLC	26	2	46	21.4	110	8	1.8				
VGWSL 26-2SRC	26	2	46	21.4	110	8	1.8				
VGWSR 32-2SRC	32	2	46	24.8	120	8	1.8				
VGWSR 32-2SLC	32	2	46	24.8	120	8	1.8				
VGWSL 32-2SLC	32	2	46	24.8	120	8	1.8				
VGWSL 32-2SRC	32	2	46	24.8	120	8	1.8				
VGWSR 26-3SRC	26	3	46	21.4	110	8	2.4				
VGWSR 26-3SLC	26	3	46	21.4	110	8	2.4				
VGWSL 26-3SLC	26	3	46	21.4	110	8	2.4				
VGWSL 26-3SRC	26	3	46	21.4	110	8	2.4				
VGWSR 32-3SRC	32	3	46	24.8	120	8	2.4				
VGWSR 32-3SLC	32	3	46	24.8	120	8	2.4				
VGWSL 32-3SLC	32	3	46	24.8	120	8	2.4				
VGWSL 32-3SRC	32	3	46	24.8	120	8	2.4				



* D max figures presented are for single sided insert (VGS).
 ** Recommended tightening torque: PW2 - 3Nm, PW3 - 4.5Nm.



Reinforced Blades (Screw Clamping) Grooving, Parting Off

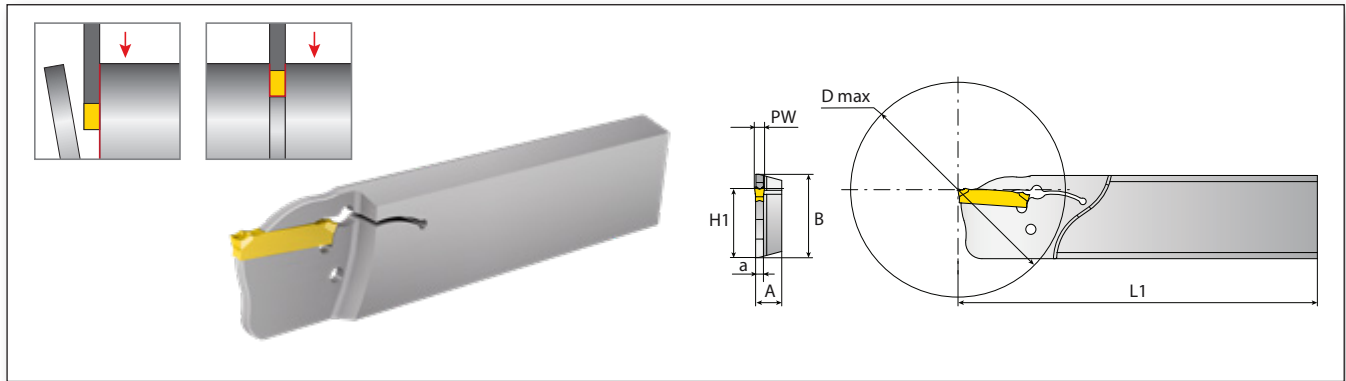
NEW



Ordering Code								Spare Parts	
Dimensions mm									
RH/LH	B	PW	D max*	H1	L1	A	a	Screw**	Key
VGWSR 26-2SR	26	2	46	21.4	110	8	1.8	SM4.0x16-T20	K6T
VGWSR 26-2SL	26	2	46	21.4	110	8	1.8		
VGWSL 26-2SL	26	2	46	21.4	110	8	1.8		
VGWSL 26-2SR	26	2	46	21.4	110	8	1.8		
VGWSR 32-2SR	32	2	46	24.8	120	8	1.8		
VGWSR 32-2SL	32	2	46	24.8	120	8	1.8		
VGWSL 32-2SL	32	2	46	24.8	120	8	1.8		
VGWSL 32-2SR	32	2	46	24.8	120	8	1.8		
VGWSR 26-3SR	26	3	46	21.4	110	8	2.4		
VGWSR 26-3SL	26	3	46	21.4	110	8	2.4		
VGWSL 26-3SL	26	3	46	21.4	110	8	2.4		
VGWSL 26-3SR	26	3	46	21.4	110	8	2.4		
VGWSR 32-3SR	32	3	46	24.8	120	8	2.4		
VGWSR 32-3SL	32	3	46	24.8	120	8	2.4		
VGWSL 32-3SL	32	3	46	24.8	120	8	2.4		
VGWSL 32-3SR	32	3	46	24.8	120	8	2.4		

* D max figures presented are for single sided insert (VGS).
 ** Recommended tightening torque: PW2 - 3Nm, PW3 - 4.5Nm.

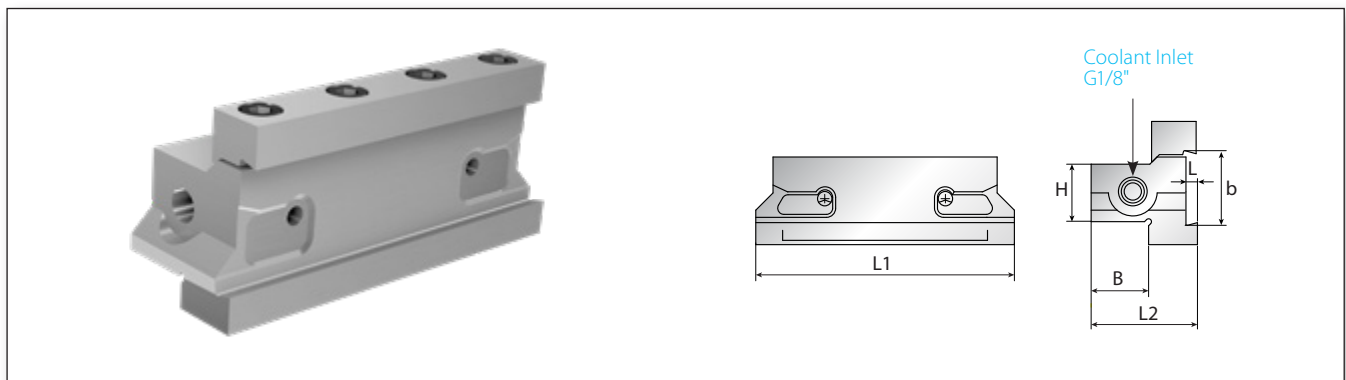
Reinforced Blades Grooving, Parting Off



Ordering Code								Dimensions mm		Spare Parts
RH/LH	B	PW	D max*	H1	L1	A	a	Key**		
VGWR/L26-2S	26	2	65	21.4	110	8.0	1.8	VP-3		
VGWR/L32-2S	32	2	65	24.7	110	8.0	1.8			
VGWR/L26-3S	26	3	65	21.4	110	8.0	2.5			
VGWR/L32-3S	32	3	65	24.7	110	8.0	2.5			

* D max figures presented are for single sided insert (VGS).
 ** Not included. Please order separately.

Blade Holders



Ordering Code							Dimensions mm			Spare Parts	
b	H	B	L	L1	L2		Clamping Screw*(x4)	Key			
VBA 2020-26	26	20	20	4	90	37.0	M6x1.0x25	K5H			
VBA 2520-32	32	25	20	5.2	110	37.7					

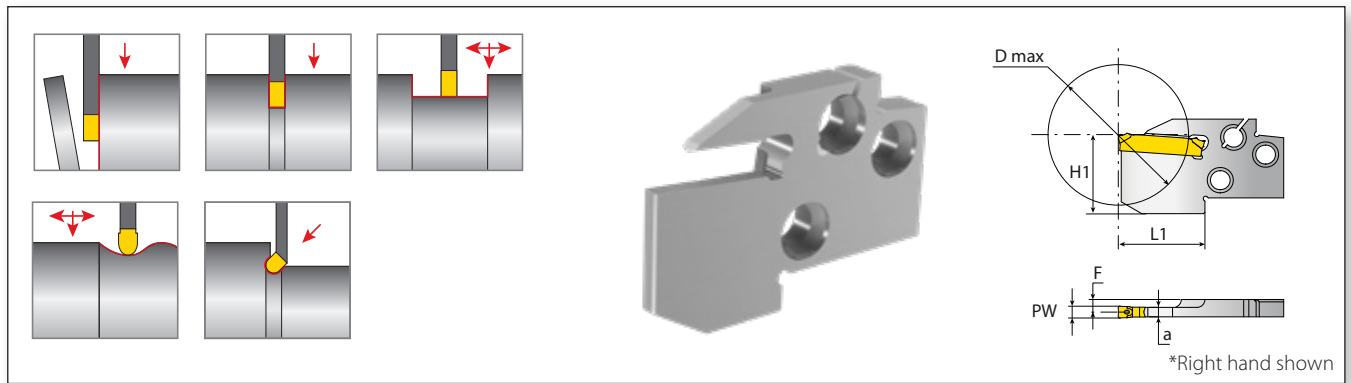
* Tightening Torque: 10 Nm max

Necessary Parts When Using Blades with High Pressure Coolant Thru:

1. Plug G1/8"P (x1)
2. Plug DIN 916 GALV M6x8P (x1)
3. Tube Connector 25-6P (x1)
4. Fittings (x2): Straight Fitting G1_8x6P or Angled Fitting G1_8x6P

The above items are not included and should be ordered separately.
 For more information please see page 21.

Modules for Grooving, Parting Off & Turning



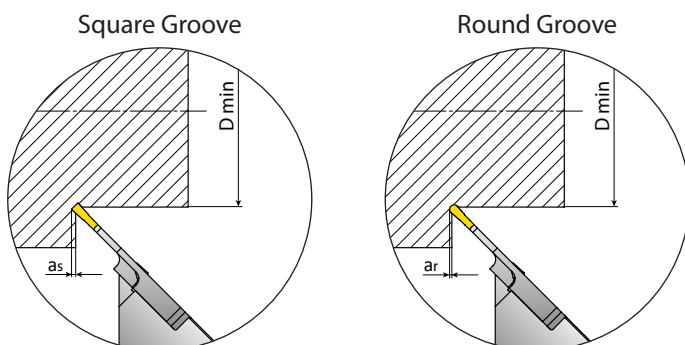
Ordering Code		Dimensions mm					
RH/LH	PW	D max	H1	F	L1	a	
VGAR/L20T25-2S	2	40	20	3.7	22	1.4	
VGAR/L20T25-3S	3	40	20	3.2	24	2.4	
VGAR/L20T25-4S	4	44	20	2.9	24	3.0	
VGAR/L25T25-2S	2	40	25	5.2	22	1.4	
VGAR/L25T25-3S	3	40	25	4.7	24	2.4	
VGAR/L25T25-4S	4	44	25	4.4	24	3.0	

Radial (0°-90°) Module Limitations

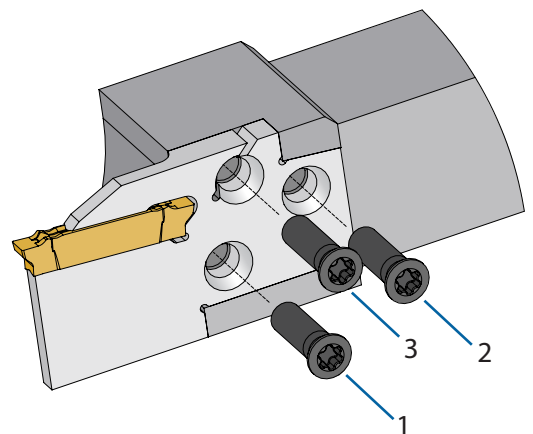
Dimensions mm	
D max	t max
50	20.0
100	17.0
150	16.0
200	15.2

45° (Undercut) Module Limitations

Dimensions mm			
Pocket Width PW	Square Groove as max	Round Groove ar max	D min
2	0.91	0.5	48
3	1.12		
4	1.32		

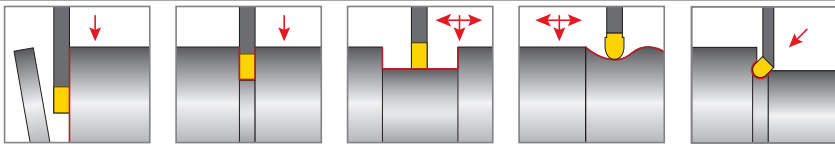


Mounting and Replacing Modules:

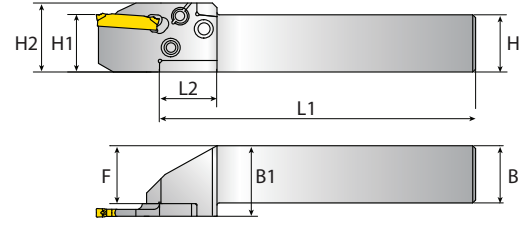
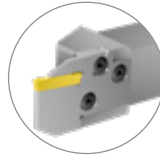


1. Clamp the module using screws 1, 2 and 3.
2. Clamp module to body with screw no. 1, followed by screw no. 2.
3. Finally, clamp the insert to the holder using screw no. 3.

Modular Bodies for Grooving, Parting Off & Turning



Parallel Square Bodies

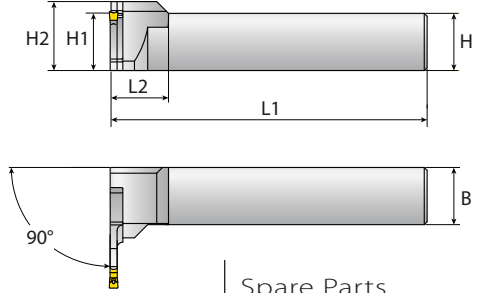


* Right hand shown

Spare Parts

Ordering Code		Dimensions mm							
RH/LH	H/H1	B	B1	H2	F	L1	L2	Conical Screw*	Key
VBMR/L2020-00	20	20.0	24.3	24	20.15	110	20	SM4x14 T15	KT-15
VBMR/L2525-00	25	25.0	31.0	30	25.50	140	25	SM5x18 T20	K6T

90° Square Bodies



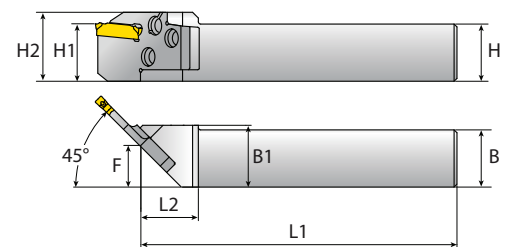
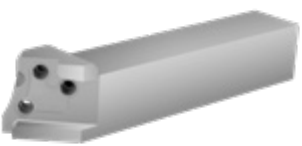
* Right hand shown

Spare Parts

Ordering Code		Dimensions mm						
RH/LH	H/H1	B	H2	L1	L2	Conical Screw*	Key	
VBMR/L2020-90	20	20.0	24	110	20	SM4x14 T15	KT-15	
VBMR/L2525-90	25	25.0	30	140	28	SM5x18 T20	K6T	

! For 90° Right-hand Tool: Use right-hand body with left-hand module.

45° Square Bodies



* Left hand shown

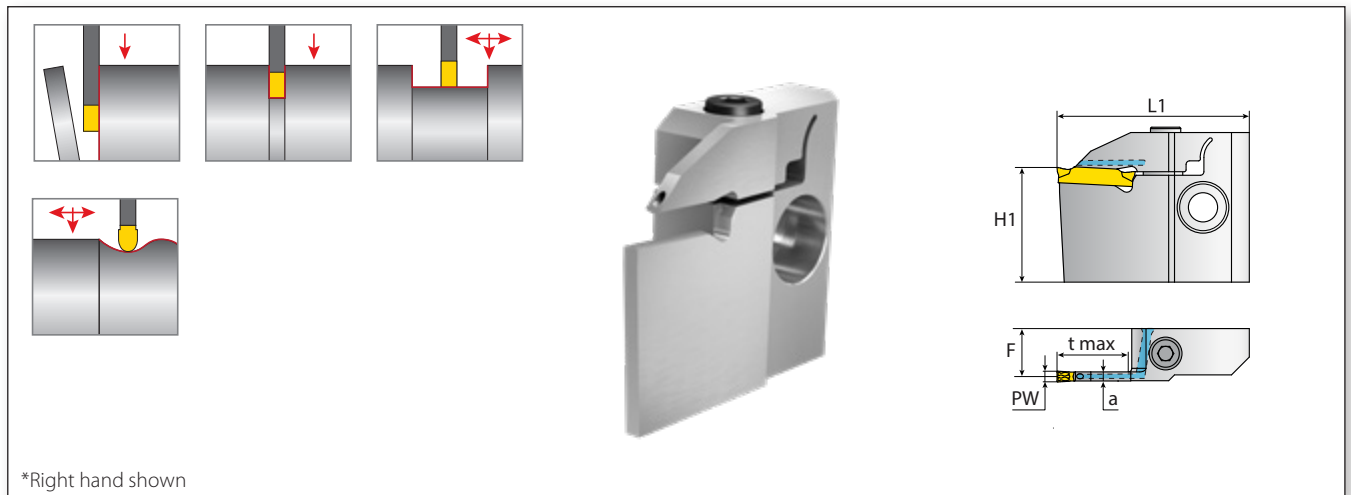
Spare Parts

Ordering Code		Dimensions mm							
RH/LH	H/H1	B	B1	H2	L1	L2	F	Conical Screw*	Key
VBMR/L2020-45	20	20.0	21.5	24	110	20	14.5	SM4x10.5 T15 SM4x14 T15	KT-15
VBMR/L2525-45	25	25.0	26.0	30	140	25	18	SM5x13.5 T20 SM5x18 T20	K6T

! For 45° Right-hand Tool: Use right-hand body with left-hand module.

* Tightening Torque: T15 screws - 5 Nm max , T20 screws - 7 Nm max.

Radial Grooving Modules with High Pressure Coolant Thru



*Right hand shown

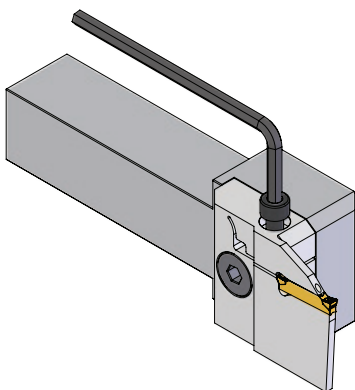
Ordering Code		Dimensions mm					Spare Parts	
RH/LH	PW	t max	H1	F	L1	a	Screw*	Key
VGAR/L-T09-2C	2	9	32	13.9	43	1.58	SM5x16	K4H
VGAR/L-T18-2C	2	18	32	13.9	52	1.58		
VGAR/L-T10-3C	3	10	32	13.3	44	2.48		
VGAR/L-T20-3C	3	20	32	13.3	54	2.48		
VGAR/L-T12-4C	4	12	32	13.0	46	3.10		
VGAR/L-T24-4C	4	24	32	13.0	58	3.10		
VGAR/L-T15-5C	5	15	32	13.5	49	4.00		
VGAR/L-T30-5C	5	30**	32	12.5	64	4.00		
VGAR/L-T20-6C	6	20	32	13.0	54	5.00		
VGAR/L-T40-6C	6	40**	32	13.0	74	5.00		

* Tightening Torque: PW 2 mm - 4 Nm max; PW 3, 4, 5, 6 mm - 7 Nm max.

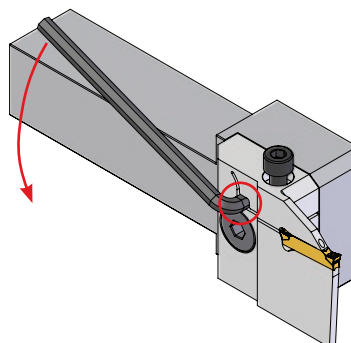
** T max figures presented for single sided inserts (VGS).

Mounting and Replacing Inserts for Radial and Face Grooving Modules with High Pressure Coolant Thru:

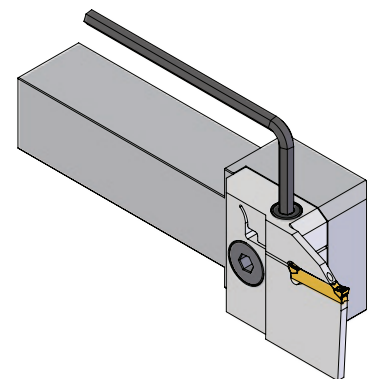
1 Unlock the top screw using the key provided.



2 Place the same key in the "pocket." Turn and hold the key to loosen the pocket and remove the insert. Place the new insert in the pocket.

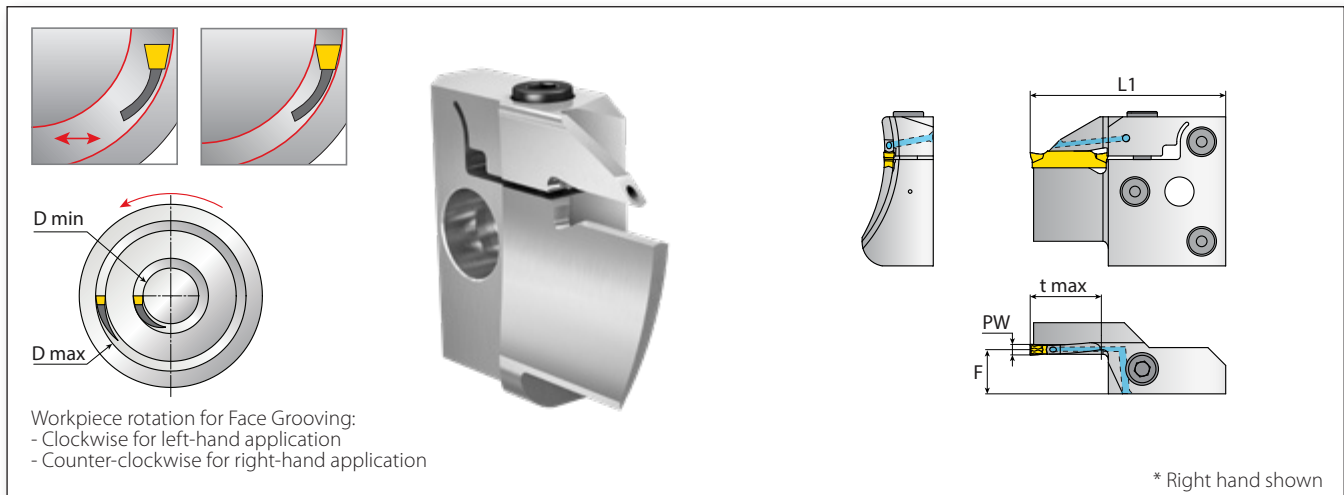


3 Now remove the key from the pocket and secure the insert by firmly locking the top screw.



| Tools should not be clamped without an insert inside the pocket.

Face Grooving Modules with High Pressure Coolant Thru

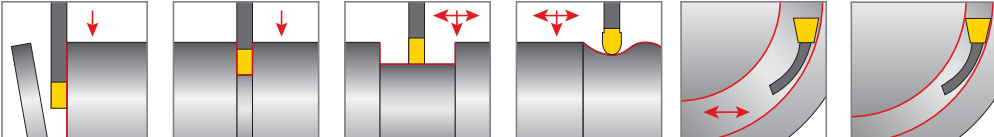

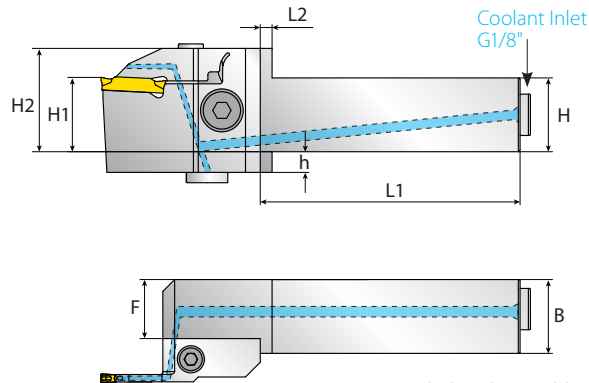


Ordering Code							Dimensions mm		Spare Parts	
RH/LH	PW	t max	D min	D max	F	L1	Screw*	Key		
VGFR/L-2530-T10-3C	3	10	23.50	32.00	12.5	45	SM5x16	K4H		
VGFR/L-3038-T10-3C			28.60	40.40						
VGFR/L-3848-T10-3C			36.60	50.40						
VGFR/L-4860-T10-3C			46.60	62.80						
VGFR/L-6075-T10-3C		58.70	78.20							
VGFR/L-75100-T10-3C		73.70	103.20							
VGFR/L-100200-T10-3C		99.20	204.60							
VGFR/L-6075-T20-3C		20	58.30	77.50						
VGFR/L-75100-T20-3C	73.70		103.20							
VGFR/L-100200-T20-3C		99.20	204.60							
VGFR/L-3048-T12-4C	4	12	27.60	49.00	12	47				
VGFR/L-4860-T12-4C			44.50	60.50						
VGFR/L-6075-T12-4C			55.60	75.10						
VGFR/L-75100-T12-4C			69.60	99.60						
VGFR/L-100150-T12-4C		92.30	147.70							
VGFR/L-150->-T12-4C		134.50	285.50							
VGFR/L-3048-T24-4C		24	27.60	49.00						
VGR/LF-4860-T24-4C			44.50	60.50						
VGFR/L-6075-T24-4C	55.60		75.10							
VGFR/L-75100-T24-4C	69.60		99.60							
VGFR/L-100150-T24-4C		92.30	147.70							
VGFR/L-150->-T24-4C		134.50	275.50							
VGFR/L-4255-T22-5C	5	22	38.40	61.00	13.5	60				
VGFR/L-5575-T22-5C			51.10	81.90						
VGFR/L-75130-T22-5C			70.30	143.90						
VGFR/L-130200-T22-5C			123.10	222.30						
VGFR/L-200 ->-T22-5C		189.00	788.40							
VGFR/L-130200-T45-5C		45	123.10	222.30						
VGFR/L-200400-T45-5C			189.00	475.90						
VGFR/L-450->-T45-5C			400.70	911.80						
VGFR/L-4255-T22-6C	6		22	36.50	63.30	13	60			
VGFR/L-5575-T22-6C		49.00		83.50						
VGFR/L-75130-T22-6C		68.20		145.00						
VGFR/L-130200-T22-6C		121.10		223.90						
VGFR/L-200 ->-T22-6C		188.40	813.10							
VGFR/L-130200-T45-6C		45	121.10	223.90						
VGFR/L-200400-T45-6C			189.10	492.00						
VGFR-450->-T45-6C			408.90	973.60						

* Tightening Torque 7 Nm max.

Tools should not be clamped without an insert inside the pocket.

Modular Bodies with High Pressure Coolant for Grooving, Face Grooving, Parting Off and Turning

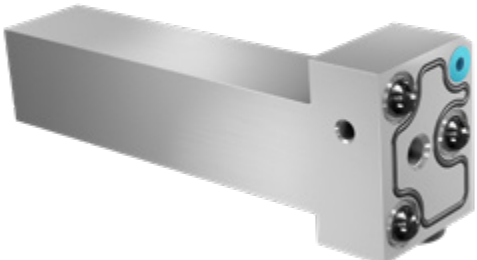
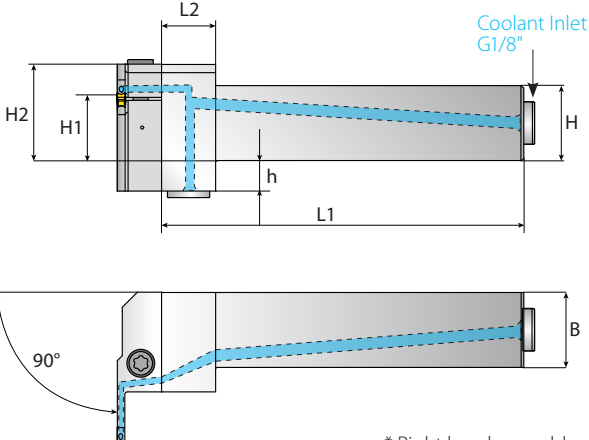




* Right hand shown

* Right hand assembly

Parallel Square Bodies with HPC

Ordering Code	Dimensions mm							Spare Parts				
	H/H1	B	H2	h	F	L1	L2	Clamping Screw*	Key	Plug Screw	Coolant Seal	Anti Vibration O-Ring
VBMR/L2020-00-C	20	20	30	12	15	106	4	SM8x25	K6H	Plug G1/8"	Coolant Sleeve	O-RING Body Seal
VBMR/L2525-00-C	25	25	35	7	20	121	4					
VBMR/L3225-00-C	32	25	42	0	20	136	4					

* Right hand shown

* Right hand assembly

90° Square Bodies with HPC

Ordering Code	Dimensions mm						Spare Parts					
	RH/LH	H/H1	B	H2	h	L1	L2	Clamping Screw*	Key	Plug Screw	Coolant Seal	Anti Vibration O-Ring
VBMR/L2020-90-C		20	20	30	12	111	18	SM8x25	K6H	Plug G1/8"	Coolant Sleeve	O-RING Body Seal
VBMR/L2525-90-C		25	25	35	7	120	18					
VBMR/L3232-90-C		32	32	42	0	130	18					

* Tightening Torque: 26 NM max.

Necessary Parts When Using Modules with High Pressure Coolant Thru:

1. Tube Connector 25-6P (x1)
2. Fittings (x2): Straight Fitting G1_8x6P or Angled Fitting G1_8x6P

The above items are not included and should be ordered separately. For more information please see page 21.

Modular V-CAP Holders with HPC

* RH+LH holder with Modular Cover. RH shown.

Parallel V-CAP Bodies with HPC

Ordering Code	Dimensions mm							Spare Parts				
	D	L	L1	L2	B1	B2	H1	Clamping Screw* (x2)	Key	Modular Cover	Coolant Seal	Anti Vibration O-Ring
VBC C4-00-C	40	78	54	21	17	29.9	32	SM8x18	K6H	VG-MC	Coolant Seal	Anti Vibration O-Ring
VBC C5-00-C	50	88	58	21	19.5	32.4						
VBC C6-00-C	63	98	60	23	24.5	37.4						

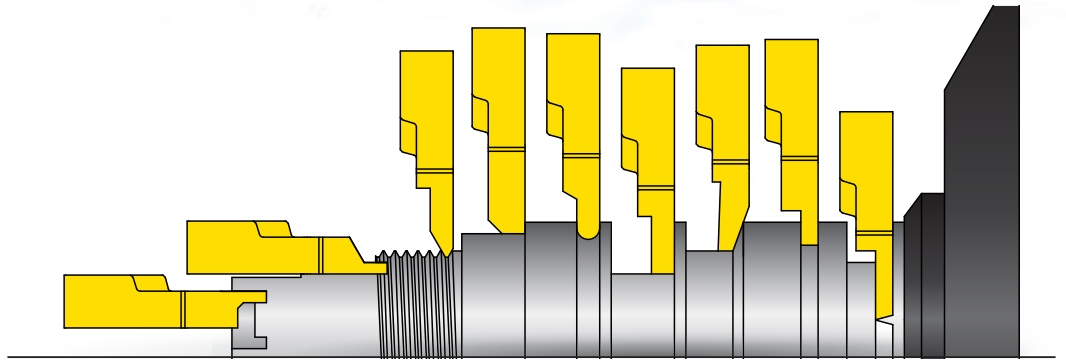
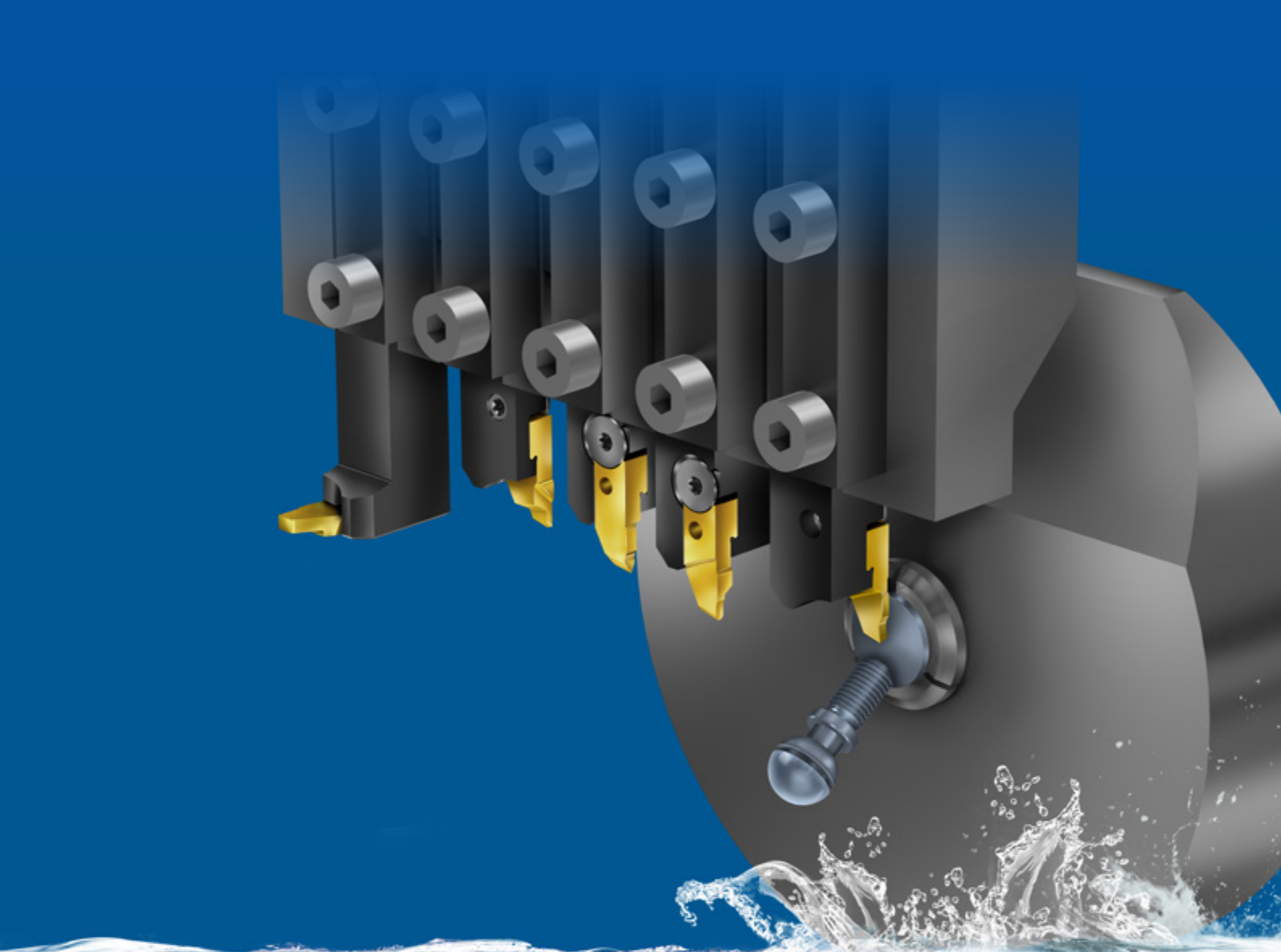
* Right hand shown

90° V-CAP Bodies with HPC

Ordering Code	Dimensions mm							Spare Parts				
	RH/LH	D	L	L1	L2	B1	B2	H1	Clamping Screw*	Key	Coolant Seal	Anti Vibration O-Ring
VBCR/L C4-90-C		40	64	40	21	20	13.0	32	SM8x18	K6H	Coolant Sleeve	O-RING Body Seal
VBCR/L C5-90-C		50	70	40	21	26.5	6.75					
VBCR/L C6-90-C		63	78	40	23	32.7	0.5					

V-CAP holders are according to ISO 26623.

* Tightening Torque: 26 Nm max.



EXTERNAL MACHINING

ST-Cut

Precise Tools for Small Parts Machining

ST-Cut

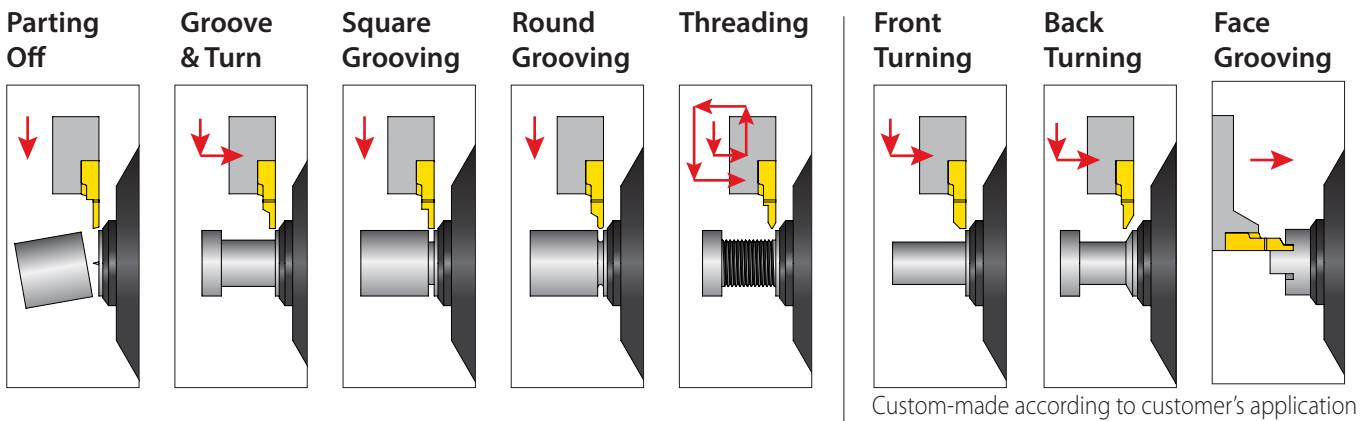
Precise Tools for Small Parts Machining

Vargus is pleased to introduce the New ST-Cut, an innovative solution for machining small parts on Swiss type machines.

Features and Benefits:

- Unique insert replacement system
- Quick and easy change of insert inside the machine from both sides of the tool
- High repeatability of the cutting edge on all axes
- 17mm maximum parting off diameter, with up to 3mm notch width
- Excellent rigidity
- Insert edge treatment for increased tool life

ST-Cut Applications



ST-Cut Unique Clamping System

1 Loosen the screw by turning it clockwise about 3-4 turns (for RH tools)*

* Counterclockwise for LH tools

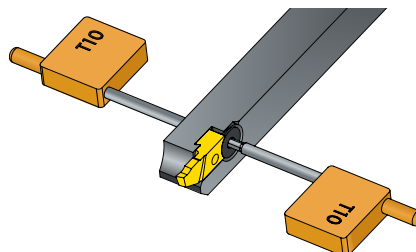
2 Push the insert back slightly and remove the insert in a circular motion

3 Thoroughly clean the insert pocket

4 Tighten the screw by turning it counterclockwise (for RH tools)*

* Clockwise for LH tools

Double-sided screws for maximum accessibility on the machine

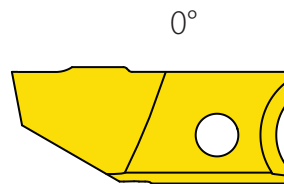
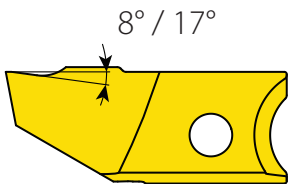


ST-Cut Technical Data

Geo-Rake Angle

The maximum diameter for parting off is 17.0mm, and up to 3.0mm notch width.
The insert corner can pass the center of rotation up to 0.2mm maximum.

Rake Angle



Positive Rake Angle Chip Former

Recommended for specific applications, depending on the type of application and workpiece material. Relatively sharp edge, designed for less build-up on the insert cutting edge.
Highly recommended for Gummy materials such as Stainless Steel and Titanium.

Vargus also offers custom-made rake angles for defined applications.

0° Rake Angle Chip Former

Insert geometry designed for general use applications. Relatively dull edge, which creates fewer fractures. Recommended for High Alloy Steels and hard abrasive materials.

Grades

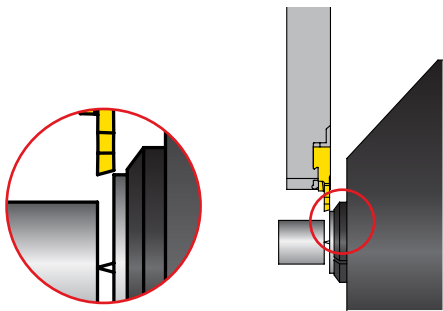
ST-Cut inserts are offered in two different grades: **VPG** and **VS020**.

VPG is PVD coated, for medium and high speeds.

VS020 is uncoated to ensure a sharper cutting edge, crucial for very small parts when the cutting speeds are relatively low and light cutting is required.

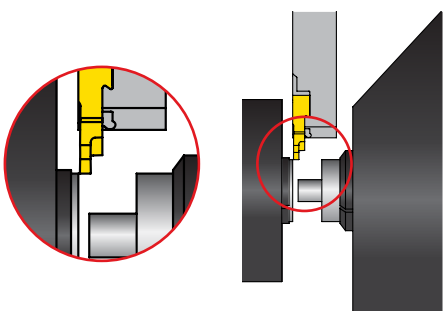
Grade	Application	Sample
VPG	Sub-micron substrate for a wide range of applications. Excellent anti-fracture resistance. AlTiN PVD coated P20, for medium to high cutting speeds. Excellent for alloy steel, stainless steel, and Titanium.	
VS020	Uncoated Sub-micron substrate for a wide range of applications. Excellent anti-fracture resistance. Recommended for medium to low cutting speeds. Excellent for alloy steel, stainless steel, and Titanium.	

Cutting Recommendations and Tool Types



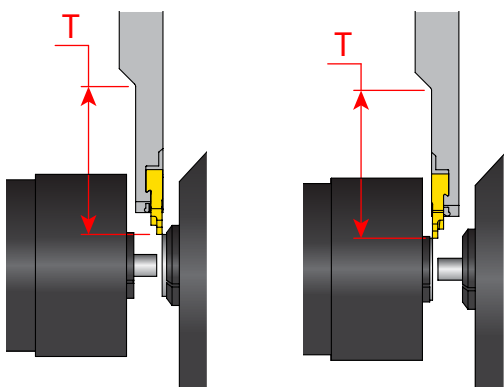
When parting off small diameter parts, without the support of the sub spindle, it is recommended to use an ST-Cut Parting Off insert with a lead angle, thereby eliminating the center boss (See Figure 1).

Figure 1:
Parting Off Close to Main Spindle -
STER...-85 RH tool with RH insert/RH
lead angle



When a sub spindle is used, which is the recommended method when parting off small parts, a neutral insert with a tougher notch is recommended to avoid scratches and burrs on the sides of the workpiece (See Figure 2).

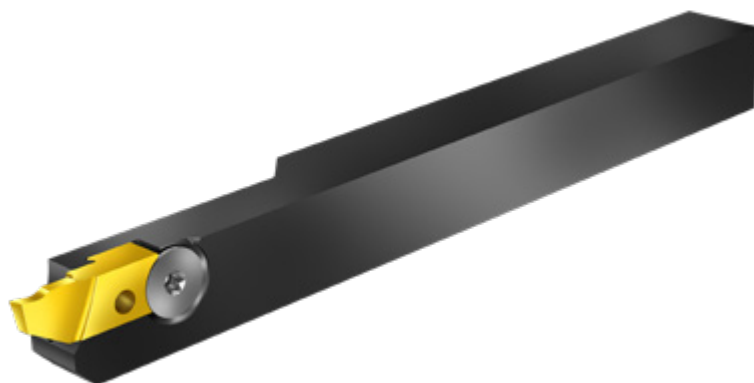
Figure 2:
Parting Off Close to Sub Spindle -
STEL...-85 LH tool with LH insert



The ST-Cut tool offering includes “Stepped Tools” – STESR/L and STESRS – for short part lengths, where both the main and the sub-spindles are used. The maximum length exceeding the center of the workpiece is 0.20mm (See Figures 3 and 4).

Figure 3:
Parting Off Close
to Main Spindle –
STESR...-85 RH tool
with RH insert
(LH tool also available)

Figure 4:
Parting Off Close to Sub
Spindle – STESRS...-85
RH tool with LH insert



ST-Cut Recommended Cutting Speeds

In bar-feeder machines (Swiss Type, Slide Machines, etc.), turn speed limitations of the bar feeder often dictate the actual cutting speed.

The recommended cutting speeds in the table below should be used if the machine can achieve such speeds.

ST-Cut tools are also designed to work at much lower speeds, and up to 40% faster if needed, depending on the material properties, such as hardness and tensile strength.

Material Group	Vargus No.	Material	Vc [m/min]			
			Turning	Parting Off	Threading	
P Steel	1	Unalloyed Steel Low Carbon Steel	150	110	150	
	2					
	3					
	4	Low Alloy Steel Alloy Steel < 750 Rm [N/mm ²]	100	75	100	
	5					
	6					
	7	High Alloy Steel Alloy Steel > 750 Rm [N/mm ²]	75	55	75	
	8					
	9					
M Stainless Steel	11	Stainless Steel Stainless Steel	65	50	65	
	12					
N(K) Non-Ferrous Metals	34	Aluminum Alloys Aluminum Si > 12%	500	380	200	
	35					
	36					
	37					
	39	Copper and Copper Alloys Brass, Bronze	350	250	150	
	40					
S(M) Heat Resistant Material	19	High Temperature Alloys and Titanium Alloys	60	40	50	
	20					Titanium < 600 Rm [N/mm ²]
	21		35	30	35	
	22					Titanium > 900 Rm [N/mm ²]
	23					
24						



ST-Cut Nominal Feeds and Depth of Cut

The cutting conditions for Parting Off and Turning applications in the table below are recommended starting points, which may be increased by up to 30%, depending on material properties, such as hardness and tensile strength.

Material Group	Vargus No.	Material	Cutting Width (mm)	Parting Off	Turning		
				Feed (mm/rev)	Depth of Cut (mm)	Feed (mm/rev)	
P Steel	1	Unalloyed Steel Low Carbon Steel	0.5 - 1.0	0.04	0.05 - 1.2	0.06	
	2		1.2 - 1.8	0.08	1.2 - 2.5	0.12	
	3		2.0 - 3.0	0.12	2.5 - 4.0	0.18	
	4	Low Alloy Steel Alloy Steel < 750 Rm [N/mm ²]	0.5 - 1.0	0.03	0.05 - 1.2	0.04	
	5		1.2 - 1.8	0.06	1.2 - 2.5	0.08	
	6		2.0 - 3.0	0.10	2.5 - 4.0	0.14	
	7	High Alloy Steel Alloy Steel > 750 Rm [N/mm ²]	0.5 - 1.0	0.02	0.05 - 1.2	0.03	
	8		1.2 - 1.8	0.05	1.2 - 2.5	0.08	
	9		2.0 - 3.0	0.08	2.5 - 4.0	0.12	
M Stainless Steel	11	Stainless Steel	0.5 - 1.0	0.025	0.04 - 0.08	0.04	
	12		1.2 - 1.8	0.035	0.08 - 1.5	0.05	
			2.0 - 3.0	0.06	1.5 - 3.0	0.08	
N(K) Non-Ferrous Metals	34	Aluminum Alloys Aluminum Si > 12%	0.5 - 1.0	0.06	0.05 - 1.2	0.08	
	35		1.2 - 1.8	0.12	1.2 - 2.5	0.18	
	36		2.0 - 3.0	0.18	2.5 - 4.0	0.25	
	37	Copper and Copper Alloys Brass, Bronze	0.5 - 1.0	0.06	0.05 - 1.2	0.08	
	39		1.2 - 1.8	0.12	1.2 - 2.5	0.18	
	40		2.0 - 3.0	0.18	2.5 - 4.0	0.25	
S(M) Heat Resistant Material	19	High Temperature Alloys and Titanium Alloys	Titanium < 600 Rm [N/mm ²]	0.5 - 1.0	0.02	0.04 - 0.08	0.03
	20			1.2 - 1.8	0.04	0.08 - 1.5	0.06
	21			2.0 - 3.0	0.06	1.5 - 3.0	0.10
	22	Titanium > 900 Rm [N/mm ²]	0.5 - 1.0	0.01	0.04 - 0.08	0.02	
	23		1.2 - 1.8	0.025	0.08 - 1.5	0.04	
	24		2.0 - 3.0	0.04	1.5 - 3.0	0.08	

ST-Cut Inserts

Parting Off.....	52
Groove & Turn.....	54
Square Grooving.....	55
Round Grooving.....	56
Threading.....	57

ST-Cut Inserts Ordering Code System

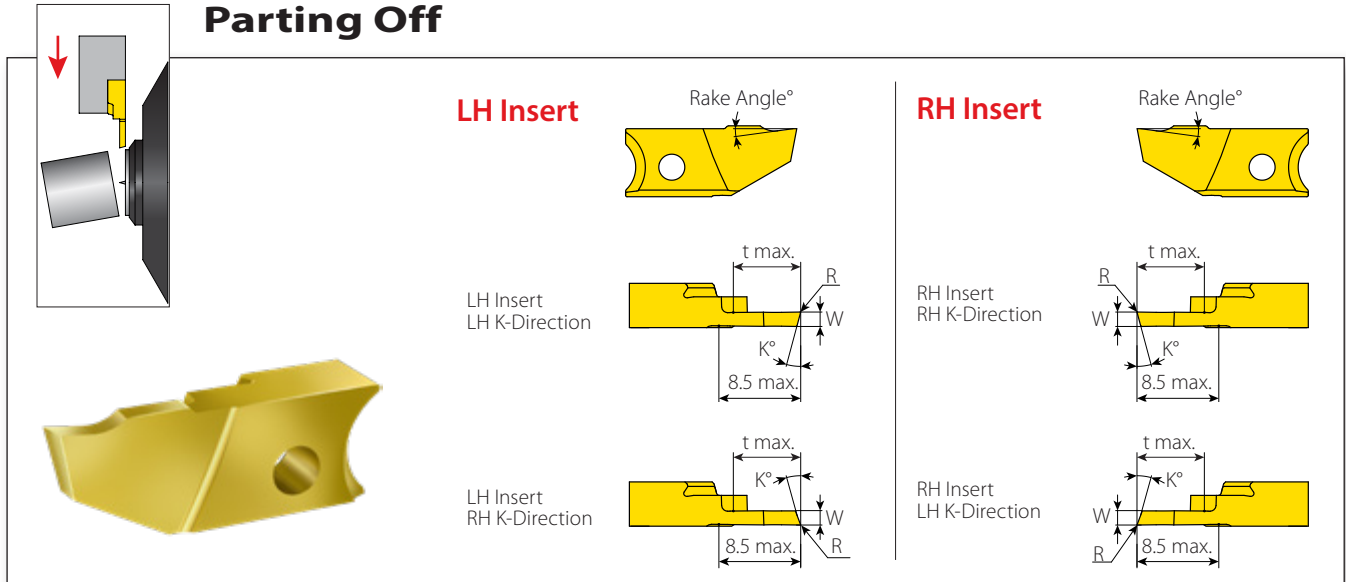
ST	85	R	P	0	-	0.7		35	00	-	00	R	E	
1	2	3	4	5		6	7	8	9		10	11	12	13

1 - Line Name ST - ST Cut	2 - Max. Radial Depth 85 - 8.5mm	3 - RH or LH R - Right Hand L - Left Hand	4 - Application P - Parting Off T - Groove Turn S - Square Grooving R - Round Grooving TH - Threading FT - Front Turning BT - Back Turning FG - Face Grooving Internal FP - Face Grooving External	5 - Rake Angle 0 - 0° 6 - 6° 10 - 10° 12 - 12° 15 - 15° 17 - 17°
-------------------------------------	--	--	--	---

6 - Grooving Width 0.5 - 3.0mm	7 - Thread Standard and Pitch (Threading) 60 - Partial 60° 55 - Partial 55°	8 - t max 15 - 1.5mm 35 - 3.5mm 50 - 5.0mm 55 - 5.5mm 70 - 7.0mm 85 - 8.5mm	9 - Corner Radius 00 - 0.0mm 0.05 - 0.05mm
6 - Corner Radius for Round Grooving Inserts 0.2 - 1.5mm			

10 - Approach Angle (for Parting Off) 00 - 0° 06 - 6° 15 - 15°	11 - Corner Lead Direction (Parting Off) R - Right Hand Direction L - Left Hand Direction None - Neutral Direction	12 - Special Insert Structure E - Treated Cutting Edge W - Wiper C - Chamfer CW - Chamfer & Wiper RW - Radius & Wiper	13 - Grade VPG VS020
	11 - Helix Side (Threading) RH - Right Hand Helix LH - Left Hand Helix	12 - Threading R - Close to Right Shoulder L - Close to Left Shoulder None - Neutral	

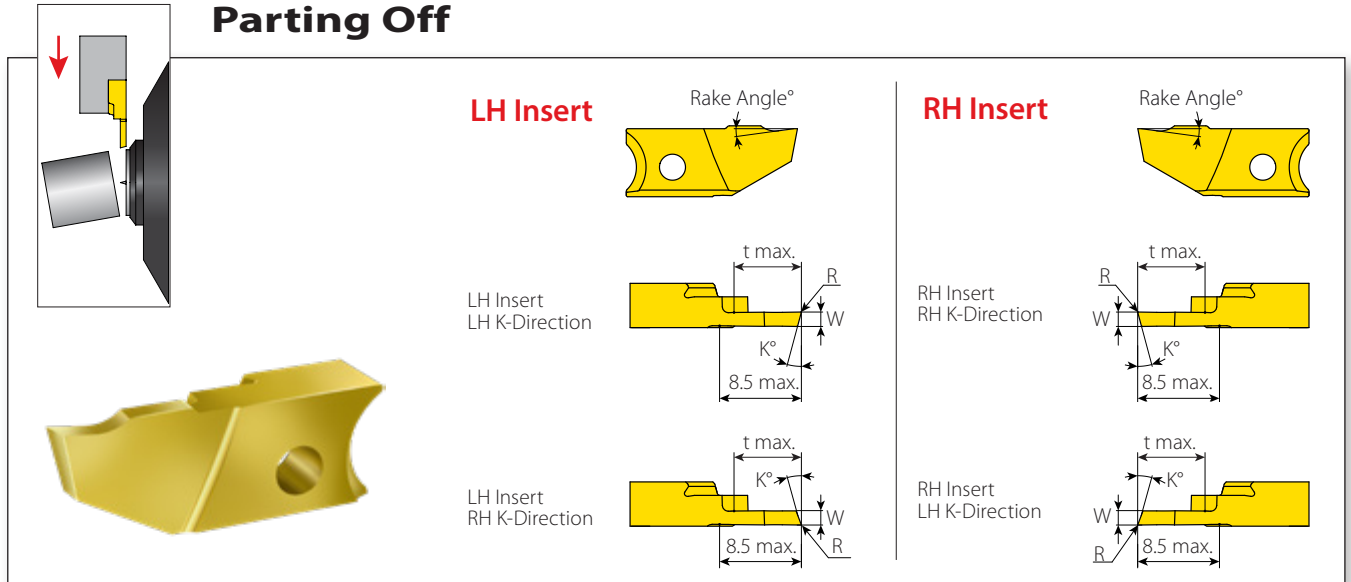
Parting Off



Ordering Code	Dimensions mm						Special Structure	Grade	
	W	R	t max.	K°	K° - Direction	Rake Angle		VS020	VPG
ST85RP0-0.515-00-15R	0.50	0	1.50	15	R	0	-	○	●
ST85LP0-0.515-00-15L	0.50	0	1.50	15	L	0	-	○	●
ST85RP0-0.735-00-06RE	0.70	0	3.50	6	R	0	E	○	●
ST85LP0-0.735-00-06LE	0.70	0	3.50	6	L	0	E	○	●
ST85RP0-1.050-00-06RE	1.00	0	5.00	6	R	0	E	○	●
ST85LP0-1.050-00-06LE	1.00	0	5.00	6	L	0	E	○	●
ST85RP0-1.550-00-15RE	1.50	0	5.00	15	R	0	E	○	●
ST85LP0-1.550-00-15LE	1.50	0	5.00	15	L	0	E	○	●
ST85RP0-1.570-0.05-15RE	1.50	0.05	7.00	15	R	0	E	○	●
ST85LP0-1.570-0.05-15LE	1.50	0.05	7.00	15	L	0	E	○	●
ST85RP0-2.085-00-15RE	2.00	0	8.50	15	R	0	E	○	●
ST85LP0-2.085-00-15LE	2.00	0	8.50	15	L	0	E	○	●
ST85RP0-2.085-0.05-15RE	2.00	0.05	8.50	15	R	0	E	○	●
ST85LP0-2.085-0.05-15LE	2.00	0.05	8.50	15	L	0	E	○	●
ST85RP8-0.735-00-15RE	0.70	0	3.50	15	R	8	E	○	●
ST85LP8-0.735-00-15LE	0.70	0	3.50	15	L	8	E	○	●
ST85RP8-1.050-00-15RE	1.00	0	5.00	15	R	8	E	○	●
ST85LP8-1.050-00-15LE	1.00	0	5.00	15	L	8	E	○	●
ST85RP8-0.735-00-15R	0.70	0	3.50	15	R	8	-	○	●
ST85LP8-0.735-00-15L	0.70	0	3.50	15	L	8	-	○	●
ST85RP8-1.050-00-15R	1.00	0	5.00	15	R	8	-	○	●
ST85LP8-1.050-00-15L	1.00	0	5.00	15	L	8	-	○	●
ST85RP8-1.570-00-15RE	1.50	0	7.00	15	R	8	E	○	●
ST85LP8-1.570-00-15LE	1.50	0	7.00	15	L	8	E	○	●
ST85RP8-1.570-0.05-15RE	1.50	0.05	7.00	15	R	8	E	○	●
ST85RP8-1.570-0.05-15LE	1.50	0.05	7.00	15	L	8	E	○	●
ST85RP8-2.085-00-15RE	2.00	0	8.50	15	R	8	E	○	●
ST85LP8-2.085-00-15LE	2.00	0	8.50	15	L	8	E	○	●
ST85RP8-2.085-0.05-15RE	2.00	0.05	8.50	15	R	8	E	○	●
ST85LP8-2.085-0.05-15LE	2.00	0.05	8.50	15	L	8	E	○	●

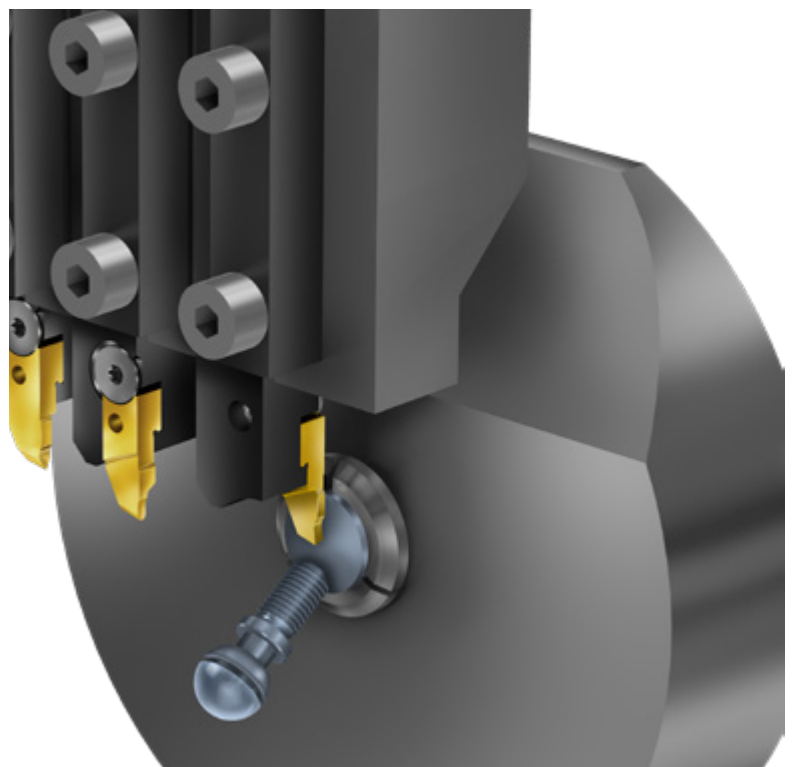
● In stock ○ Available upon request

Parting Off

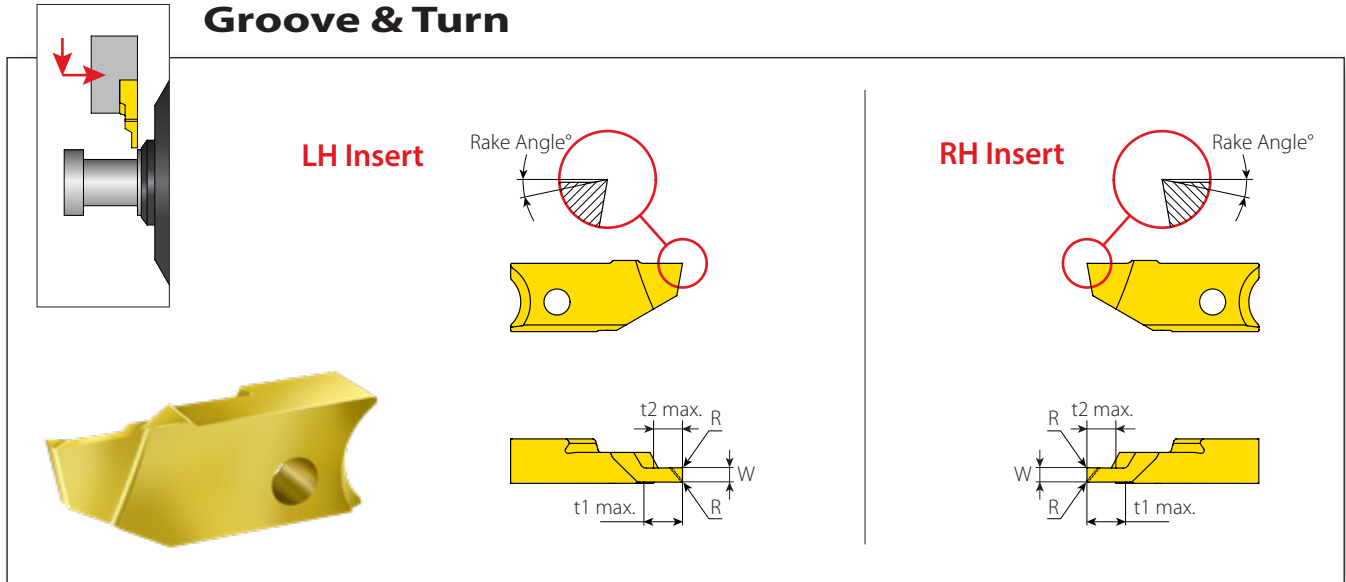


Ordering Code	Dimensions mm						Special Structure	Grade	
	W	R	t max	K°	K° - Direction	Rake Angle		VS020	VPG
ST85RP17-0.735-00-15RE	0.70	0	3.50	15	R	17	E	◦	•
ST85LP17-0.735-00-15LE	0.70	0	3.50	15	L	17	E	◦	•
ST85RP17-1.050-00-15RE	1.00	0	5.00	15	R	17	E	◦	•
ST85LP17-1.050-00-15LE	1.00	0	5.00	15	L	17	E	◦	•
ST85RP17-1.570-00-15RE	1.50	0	7.00	15	R	17	E	◦	•
ST85LP17-1.570-00-15LE	1.50	0	7.00	15	L	17	E	◦	•
ST85RP17-1.570-0.05-15RE	1.50	0.05	7.00	15	R	17	E	◦	•
ST85RP17-1.570-0.05-15LE	1.50	0.05	7.00	15	L	17	E	◦	•
ST85RP17-2.085-00-15RE	2.00	0	8.50	15	R	17	E	◦	•
ST85LP17-2.085-00-15LE	2.00	0	8.50	15	L	17	E	◦	•
ST85RP17-2.085-0.05-15RE	2.00	0.05	8.50	15	R	17	E	◦	•
ST85LP17-2.085-0.05-15LE	2.00	0.05	8.50	15	L	17	E	◦	•

• In stock ◦ Available upon request



Groove & Turn



Groove & Turn Right Hand Inserts

Ordering Code	Dimensions mm					Special Structure	Grade	
	W	R	t1 max	t2 max	Rake Angle		VS020	VPG
ST85RT12-0.515-0.03E	0.50	0.03	4.00	1.50	12	E	○	●
ST85RT12-1.025-00E	1.00	0.00	4.00	2.50	12	E	○	●
ST85RT12-1.025-0.05E	1.00	0.05	4.00	2.50	12	E	○	●
ST85RT12-1.530-00E	1.50	0.00	4.00	3.00	12	E	○	●
ST85RT12-1.530-0.08E	1.50	0.08	4.00	3.00	12	E	○	●
ST85RT12-2.040-0.08E	2.00	0.08	6.50	4.00	12	E	○	●
ST85RT12-2.560-0.10E	2.50	0.10	6.50	6.00	12	E	○	●
ST85RT12-3.065-0.20E	3.00	0.20	6.50	6.50	12	E	○	●

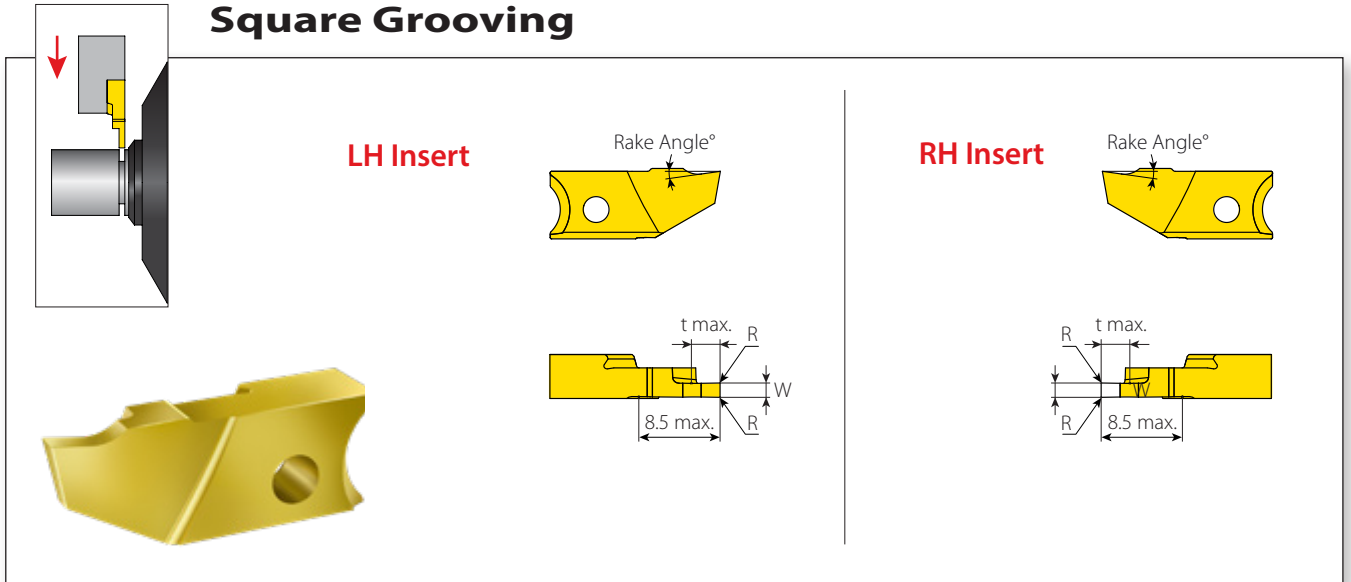
● In stock ○ Available upon request

Groove & Turn Left Hand Inserts

Ordering Code	Dimensions mm					Special Structure	Grade	
	W	R	t1 max	t2 max	Rake Angle		VS020	VPG
ST85LT12-0.515-0.03E	0.50	0.03	4.00	1.50	12	E	○	●
ST85LT12-1.025-00E	1.00	0.00	4.00	2.50	12	E	○	●
ST85LT12-1.025-0.05E	1.00	0.05	4.00	2.50	12	E	○	●
ST85LT12-1.530-00E	1.50	0.00	4.00	3.00	12	E	○	●
ST85LT12-1.530-0.08E	1.50	0.08	4.00	3.00	12	E	○	●
ST85LT12-2.040-0.08E	2.00	0.08	6.50	4.00	12	E	○	●
ST85LT12-2.560-0.10E	2.50	0.10	6.50	6.00	12	E	○	●
ST85LT12-3.065-0.20E	3.00	0.20	6.50	6.50	12	E	○	●

● In stock ○ Available upon request

Square Grooving



Square Grooving Right Hand Inserts

Ordering Code	Dimensions mm				Special Structure	Grade	
	W	R	t max.	Rake Angle		VS020	VPG
ST85RS0-0.820-00E	0.80	0.00	2.00	0	E	○	●
ST85RS8-0.820-00E	0.80	0.00	2.00	8	E	○	●
ST85RS0-1.025-00E	1.00	0.00	2.50	0	E	○	●
ST85RS8-1.025-00E	1.00	0.00	2.50	8	E	○	●
ST85RS8-1.025-0.05E	1.00	0.05	2.50	8	E	○	●
ST85RS0-1.230-00E	1.20	0.00	3.00	0	E	○	●
ST85RS8-1.230-00E	1.20	0.00	3.00	8	E	○	●
ST85RS0-1.530-00E	1.50	0.00	3.00	0	E	○	●
ST85RS8-1.530-00E	1.50	0.00	3.00	8	E	○	●
ST85RS8-1.530-0.05E	1.50	0.05	3.00	8	E	○	●
ST85RS0-1.840-00E	1.80	0.00	4.00	0	E	○	●
ST85RS0-2.040-00E	2.00	0.00	4.00	0	E	○	●
ST85RS0-2.560-00E	2.50	0.00	6.00	0	E	○	●
ST85RS0-3.065-00E	3.00	0.00	6.50	0	E	○	●

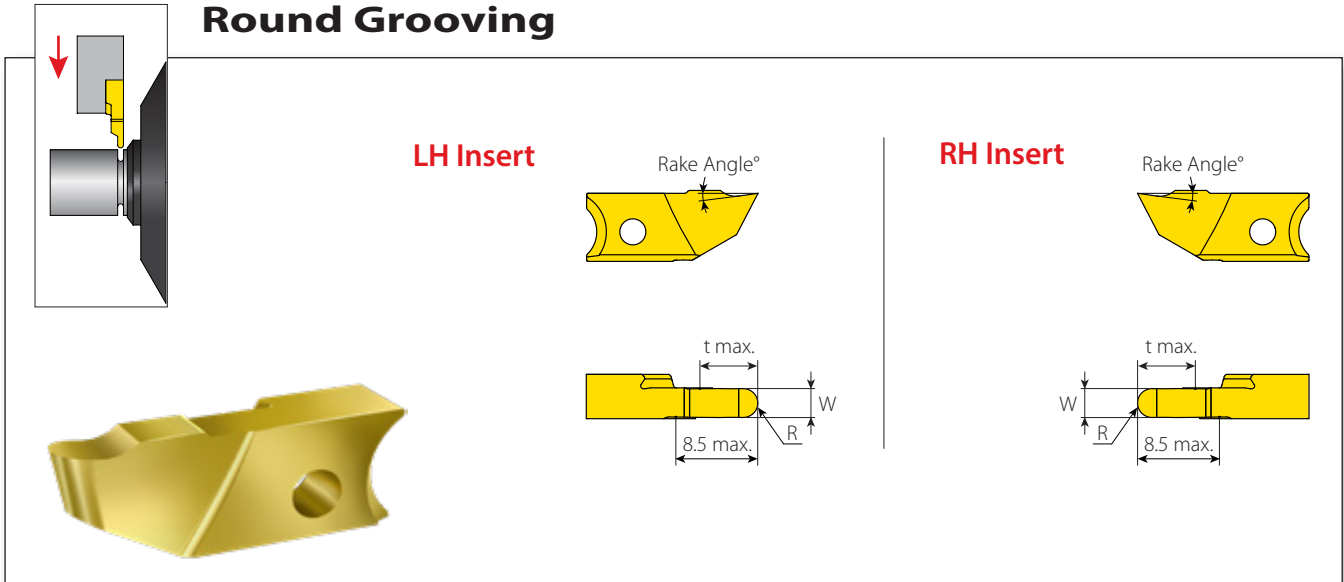
● In stock ○ Available upon request

Square Grooving Left Hand Inserts

Ordering Code	Dimensions mm				Special Structure	Grade	
	W	R	t max.	Rake Angle		VS020	VPG
ST85LS0-0.820-00E	0.80	0.00	2.00	0	E	○	●
ST85LS8-0.820-00E	0.80	0.00	2.00	8	E	○	●
ST85LS0-1.025-00E	1.00	0.00	2.50	0	E	○	●
ST85LS8-1.025-00E	1.00	0.00	2.50	8	E	○	●
ST85LS8-1.025-0.05E	1.00	0.05	2.50	8	E	○	●
ST85LS0-1.230-00E	1.20	0.00	3.00	0	E	○	●
ST85LS8-1.230-00E	1.20	0.00	3.00	8	E	○	●
ST85LS0-1.530-00E	1.50	0.00	3.00	0	E	○	●
ST85LS8-1.530-00E	1.50	0.00	3.00	8	E	○	●
ST85LS8-1.530-0.05E	1.50	0.05	3.00	8	E	○	●
ST85LS0-1.840-00E	1.80	0.00	4.00	0	E	○	●
ST85LS0-2.040-00E	2.00	0.00	4.00	0	E	○	●
ST85LS0-2.560-00E	2.50	0.00	6.00	0	E	○	●
ST85LS0-3.065-00E	3.00	0.00	6.50	0	E	○	●

● In stock ○ Available upon request

Round Grooving



Round Grooving Right Hand Inserts

Ordering Code	Dimensions mm				Special Structure	Grade	
	W	R	t max	Rake Angle		VS020	VPG
ST85RR0-0.215E	0.40	0.20	1.50	0	E	○	●
ST85RR0-0.520E	1.00	0.50	2.00	0	E	○	●
ST85RR0-0.7530E	1.50	0.75	3.00	0	E	○	●
ST85RR0-1.040E	2.00	1.00	4.00	0	E	○	●
ST85RR8-1.040E	2.00	1.00	4.00	8	E	○	●
ST85RR0-1.2550E	2.50	1.25	5.00	0	E	○	●
ST85RR0-1.560E	3.00	1.50	6.00	0	E	○	●
ST85RR8-1.560E	3.00	1.50	6.00	8	E	○	●

● In stock ○ Available upon request

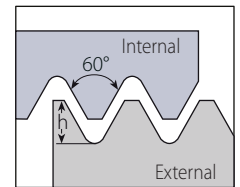
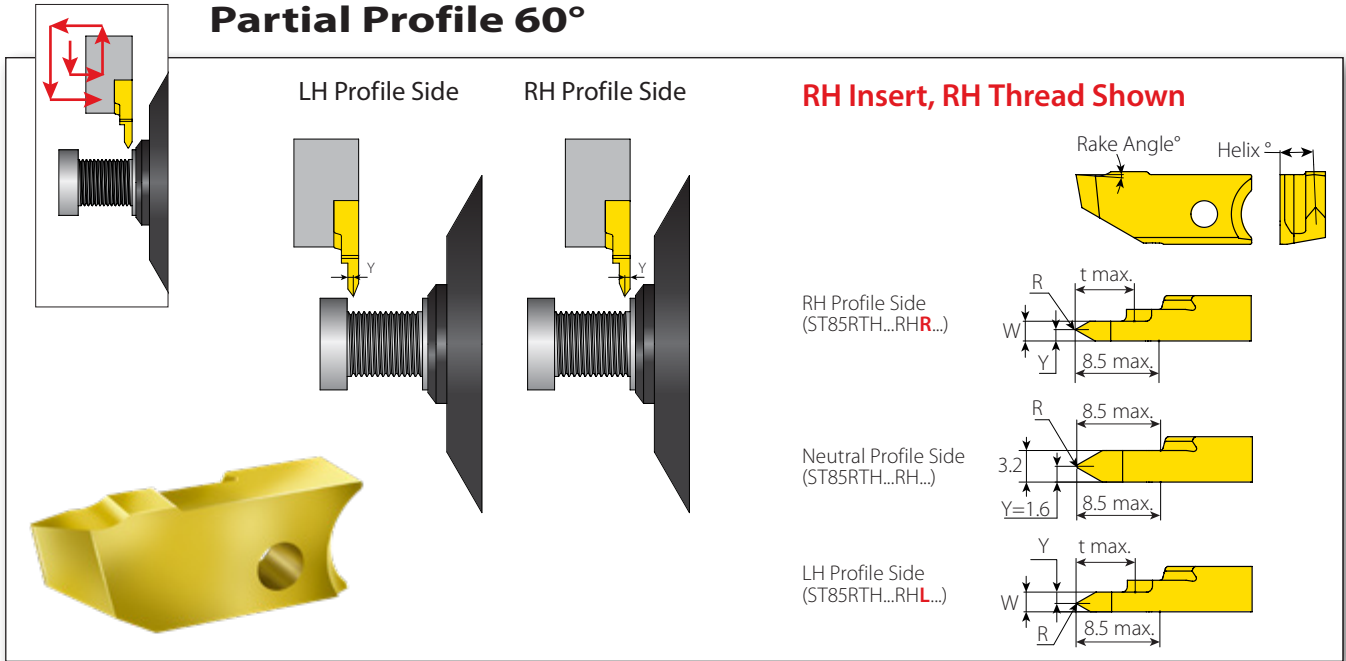
Round Grooving Left Hand Inserts

Ordering Code	Dimensions mm				Special Structure	Grade	
	W	R	t max	Rake Angle		VS020	VPG
ST85LR0-0.215E	0.40	0.20	1.50	0	E	○	●
ST85LR0-0.520E	1.00	0.50	2.00	0	E	○	●
ST85LR0-0.7530E	1.50	0.75	3.00	0	E	○	●
ST85LR0-1.040E	2.00	1.00	4.00	0	E	○	●
ST85LR8-1.040E	2.00	1.00	4.00	8	E	○	●
ST85LR0-1.2550E	2.50	1.25	5.00	0	E	○	●
ST85LR0-1.560E	3.00	1.50	6.00	0	E	○	●
ST85LR8-1.560E	3.00	1.50	6.00	8	E	○	●

● In stock ○ Available upon request

THREADING

Partial Profile 60°



Partial Profile 60° Right Hand Inserts

Ordering Code	Dimensions mm				Pitch mm / TPI	No. of Passes	Rake Angle	Helix °	Thread Direction	Profile Side	Grade	
	W	R	t max	Y							VS020	VPG
ST85RTH4AA60RHR	1.00	0.00	2.50	0.15	0.075 - 0.25/508-100	3-4	4	6	RH	R	○	●
ST85RTH4AA60RHL	1.00	0.00	2.50	0.15	0.075 - 0.25/508-100	3-4	4	6	RH	L	○	●
ST85RTH4AB60RHR	1.50	0.02	4.50	0.30	0.25 - 0.5/80-46	4-6	4	4	RH	R	○	●
ST85RTH4AB60RHL	1.50	0.02	4.50	0.30	0.25 - 0.5/80-46	4-6	4	4	RH	L	○	●
ST85RTH4A60RHR	2.00	0.05	6.5	0.85	0.5 - 1.5/46-16	4-10	4	2.5	RH	R	○	●
ST85RTH4A60RHL	2.00	0.05	6.5	0.85	0.5 - 1.5/46-16	4-10	4	2.5	RH	L	○	●
ST85RTH4G60RH	3.20	0.20	8.5	1.60	1.75 - 3.0/14-8	5-14	4	1.5	RH	N	○	●

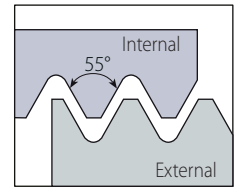
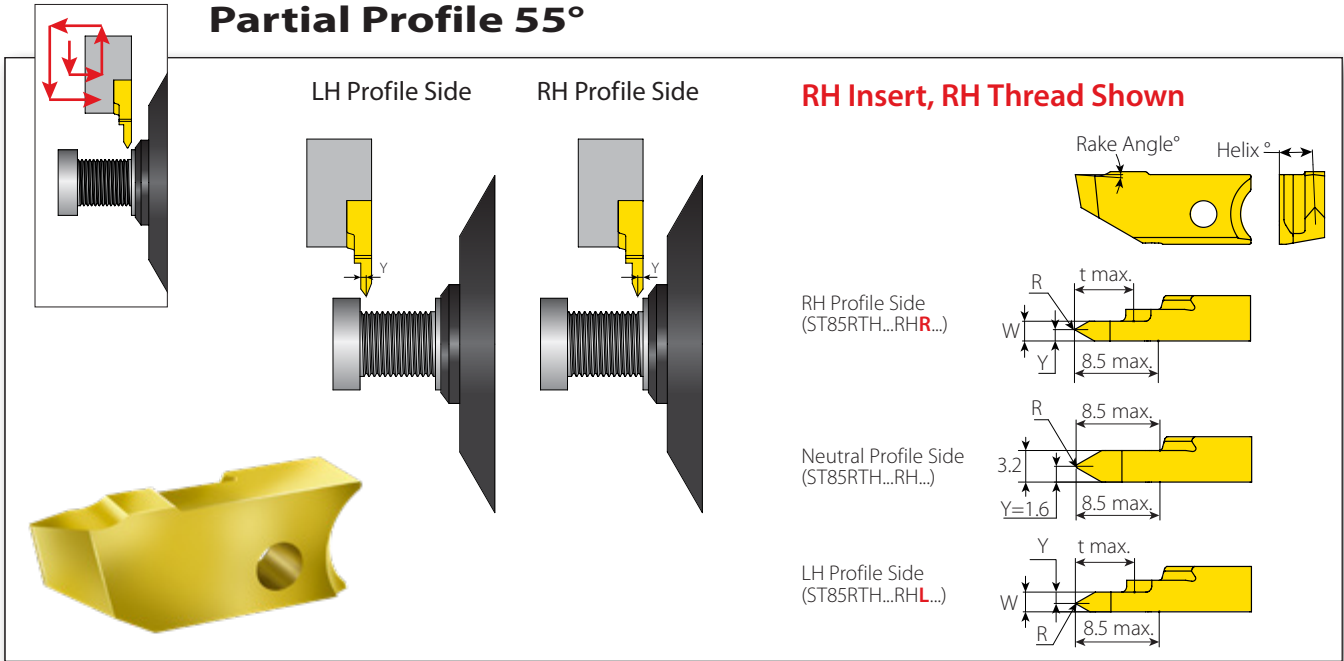
● In stock ○ Available upon request

Partial Profile 60° Left Hand Inserts

Ordering Code	Dimensions mm				Pitch mm / TPI	No. of Passes	Rake Angle	Helix °	Thread Direction	Profile Side	Grade	
	W	R	t max	Y							VS020	VPG
ST85LTH4AA60RHR	1.00	0.00	2.50	0.15	0.075 - 0.25/508-100	3-4	4	6	RH	R	○	●
ST85LTH4AA60RHL	1.00	0.00	2.50	0.15	0.075 - 0.25/508-100	3-4	4	6	RH	L	○	●
ST85LTH4AB60RHR	1.50	0.02	4.50	0.30	0.25 - 0.5/80-46	4-6	4	4	RH	R	○	●
ST85LTH4AB60RHL	1.50	0.02	4.50	0.30	0.25 - 0.5/80-46	4-6	4	4	RH	L	○	●
ST85LTH4A60RHR	2.00	0.05	6.5	0.85	0.5 - 1.5/46-16	4-10	4	2.5	RH	R	○	●
ST85LTH4A60RHL	2.00	0.05	6.5	0.85	0.5 - 1.5/46-16	4-10	4	2.5	RH	L	○	●
ST85LTH4G60RH	3.20	0.20	8.5	1.60	1.75 - 3.0/14-8	5-14	4	1.5	RH	N	○	●

● In stock ○ Available upon request

Partial Profile 55°



Partial Profile 55° Right Hand Inserts

Ordering Code	Dimensions mm				Pitch mm / TPI	No. of Passes	Rake Angle	Helix °	Thread Direction	Profile Side	Grade	
	W	R	t max	Y							VS020	VPG
ST85RTH4A55RHR	2.00	0.06	6.50	0.85	0.5 - 1.5/46-16	4-10	4	2.5	RH	R	○	●
ST85RTH4A55RHL	2.00	0.06	6.50	0.85	0.5 - 1.5/46-16	4-10	4	2.5	RH	L	○	●
ST85RTH4G55RH	3.20	0.25	8.50	1.60	1.75 - 3.0/14-8	5-14	4	1.5	RH	N	○	●

● In stock ○ Available upon request

Partial Profile 55° Left Hand Inserts

Ordering Code	Dimensions mm				Pitch mm / TPI	No. of Passes	Rake Angle	Helix °	Thread Direction	Profile Side	Grade	
	W	R	t max	Y							VS020	VPG
ST85LTH4A55RHR	2.00	0.06	6.50	0.85	0.5 - 1.5/46-16	4-10	4	2.5	RH	R	○	●
ST85LTH4A55RHL	2.00	0.06	6.50	0.85	0.5 - 1.5/46-16	4-10	4	2.5	RH	L	○	●
ST85LTH4G55RH	3.20	0.25	8.50	1.60	1.75 - 3.0/14-8	5-14	4	1.5	RH	N	○	●

● In stock ○ Available upon request

ST-Cut External Tools

Square Shank Tools.....	60
Shank Stepped Tools.....	61
Square Shanks 90° Tools.....	62

ST-Cut Tools - Ordering Code System

ST	E		SR	810		85	T30	
1	2	3	4	5	-	6	7	8

1- Line Name	2- Type	3- Approach Angle	4- RH or LH
ST - ST Cut	E - Square Shank R - Round Shank	None - 0° 90 - 90° 45 - 45°	R - RH Tool L - LH Tool SR - RH Stepped Shank, Sub spindle relief. See figure 1 SL - LH Stepped Shank, Main spindle relief SRS - RH Stepped Shank. Insert close to Sub spindle (left side). See figure 2 SLS - LH Stepped Shank. Close to Main spindle (right side)

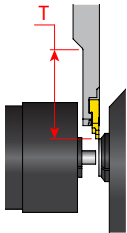


Figure 1
SR Tool - RH tool
with RH insert

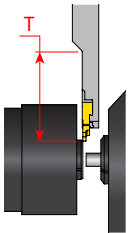



Figure 2
SRS Tool - RH tool
with LH insert

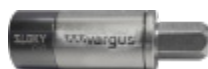
5- Shank Size / Diameter	6- Max Radial Depth	7- Radial Depth Depth (Stepped Toolholders)	8- Coolant
0810 - 8x10mm 1010 - 10x10mm 1212 - 12x12mm 1616 - 16x16mm 2020 - 20x20mm 10 - Ø10mm	85 - Max Radial Depth 8.5mm	None - Non Stepped Shank T30 - Limit Depth of Step 30mm T40 - Limit Depth of Step 40mm	None - No coolant C - Coolant

Torque Limiting Accessories (Sold Separately):



Torque Limiting Handles

	Ordering Code	Item Number	Range
	VTRF	013-01038	0.6 Nm to 3.0 Nm

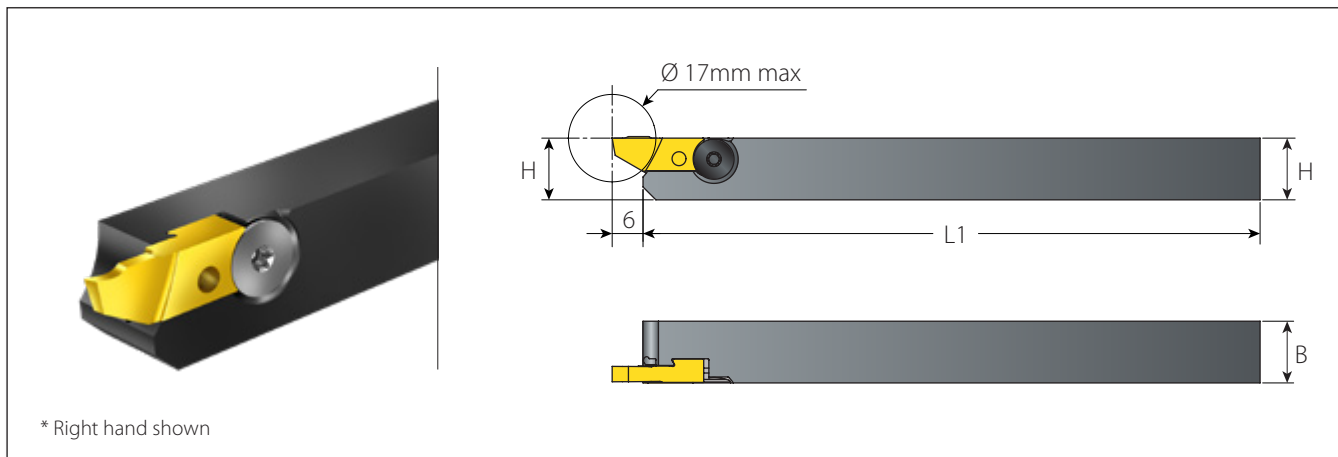
Torque Limiting Adapters

	Ordering Code	Item Number	Torque Max (Nm)
	D02-12-3.0Nm	013-01084	3.0




Torque Limiting Bits

	Ordering Code	Item Number	Bit Type
	BIT25-TX10	013-01094	 Torx




Square Shank Tools



Square Shank **Right Hand** Tools

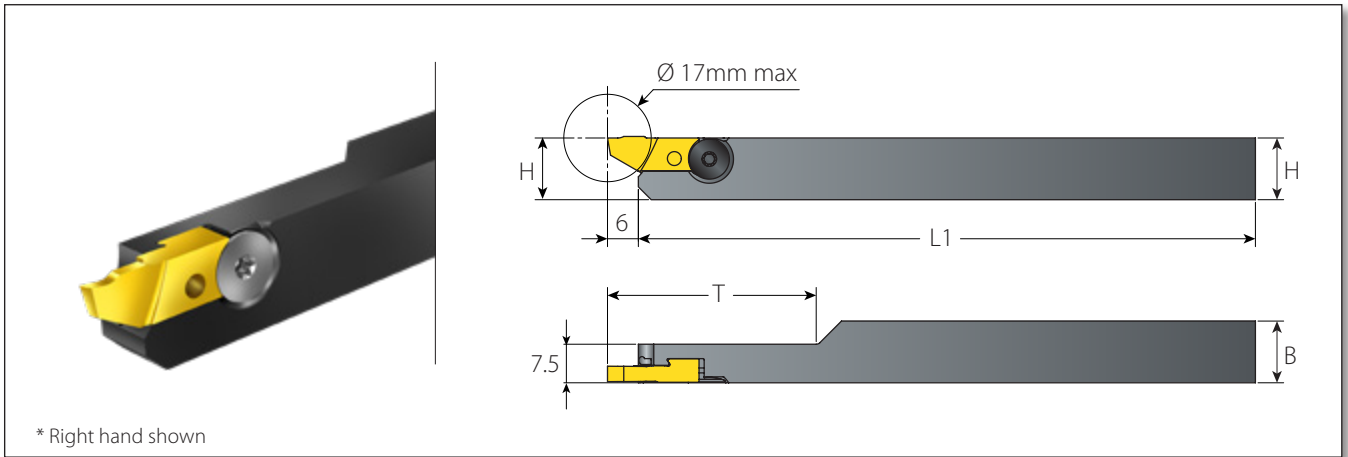
Insert Size	Ordering Code	Dimensions mm		Spare Parts		
		HxB	L1			
85	STER0810-85	8x10	110	SM5x0.8x9-T10 LH Torque Limit: 3.0Nm	K3T	D02-12-3.0Nm
	STER1010-85	10x10	110			
	STER1212-85	12x12	120			
	STER1616-85	16x16	120			
	STER2020-85	20x20	120			

Square Shank **Left Hand** Tools

Insert Size	Ordering Code	Dimensions mm		Spare Parts		
		HxB	L1			
85	STEL0810-85	8x10	110	SM5x0.8x9-T10 Torque Limit: 3.0Nm	K3T	D02-12-3.0Nm
	STEL1010-85	10x10	110			
	STEL1212-85	12x12	120			
	STEL1616-85	16x16	120			
	STEL2020-85	20x20	120			

! * Item sold separately. See page 59 for more details.

Stepped Square Shank Tools



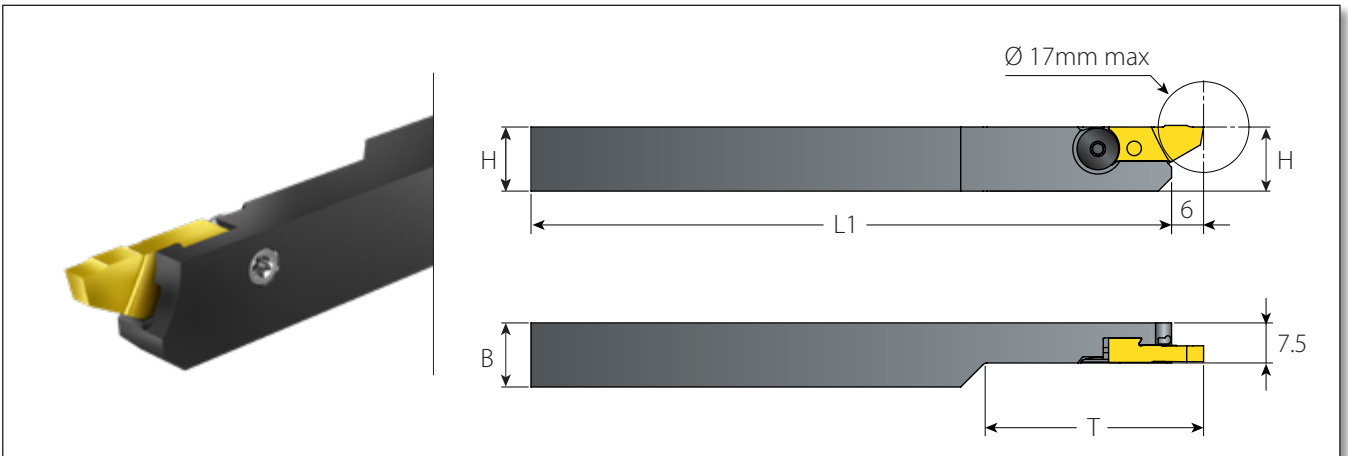
* Right hand shown

Stepped Square Shank Right Hand Tools (STESR)

Insert Size	Ordering Code	Dimensions mm			Spare Parts		
		HxB	L1	T	Screw	Key	Torque Limiting Adapter*
85	STESR0810-85T30	08x10	110	30	SM5x0.5x7-T10 LH Torque Limit: 3.0Nm	K3T	D02-12-3.0Nm
	STESR1010-85T30	10x10	110	30			
	STESR1212-85T40	12x12	120	40			
	STESR1616-85T40	16x16	120	40			

Stepped Square Shank Left Hand Tools (STESL)

Insert Size	Ordering Code	Dimensions mm			Spare Parts		
		HxB	L1	T	Screw	Key	Torque Limiting Adapter*
85	STESL0810-85T30	08x10	110	30	SM5x0.5x7-T10 Torque Limit: 3.0Nm	K3T	D02-12-3.0Nm
	STESL1010-85T30	10x10	110	30			
	STESL1212-85T40	12x12	120	40			
	STESL1616-85T40	16x16	120	40			



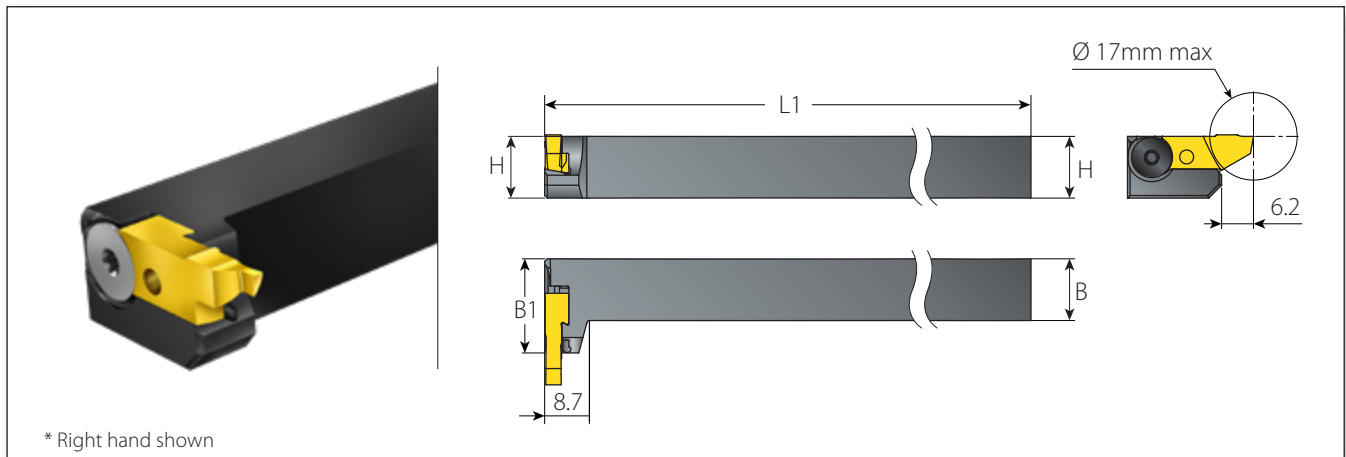
Stepped Square Shank Right Hand Tools (STESRS) **

Insert Size	Ordering Code	Dimensions mm			Spare Parts		
		HxB	L1	T	Screw	Key	Torque Limiting Adapter*
85	STESRS1010-85T30	10x10	110	30	SM5x0.5x7-T10 Torque Limit: 3.0Nm	K3T	D02-12-3.0Nm
	STESRS1212-85T40	12x12	120	40			
	STESRS1616-85T40	16x16	120	40			

! * Item sold separately. See page 59 for more details.




! ** STESRS...-85T... - RH tool with LH Inserts. See page 48.

Square Shanks 90° Tools



Square Shank 90° Right Hand Tools **

Spare Parts

Insert Size	Ordering Code	Dimensions mm					
		HxB	L1	B1	Screw	Key	Torque Limiting Adapter*
85	STE90R1010-85	10x10	110	18.3	SM5x0.8x9-T10 Torque Limit: 3.0Nm	K3T	D02-12-3.0Nm
	STE90R1212-85	12x12	120	18.3			

! * Item sold separately. See page 59 for more details.

! ** STE90R...-85. - RH tool with LH Inserts



EXTERNAL MACHINING | **FINISHING**

GrooVical

Precise Grooving & Turning Applications

GrooVical

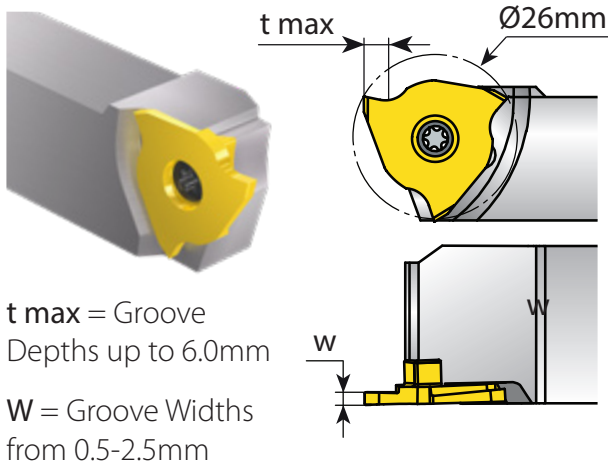
Precise Grooving & Turning Applications

Versatile Range of Indexable Grooving Inserts

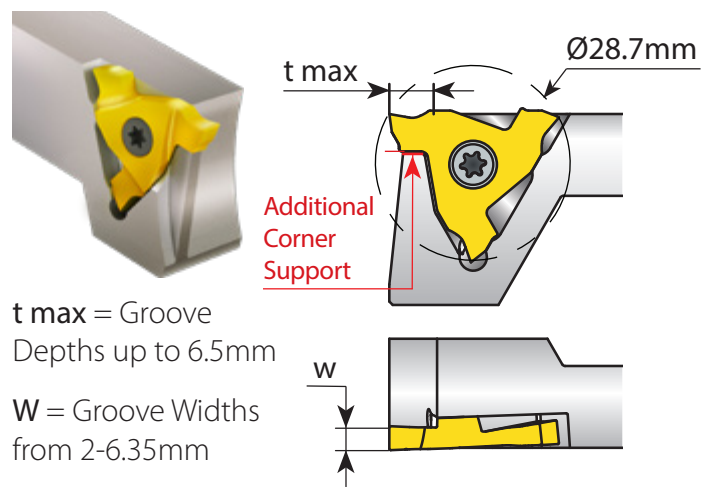
The **GrooVical** family of products by Groovex offers improved solutions for precise grooving and turning applications. GVN26 and GV29/GVN29 feature inserts with three cutting corners and a unique rigid clamping system for improved productivity.

The new GVN style inserts offer new applications in the GrooVical line, including Turning and Grooving chip former to form helical chips, spiral chips for grooving, new parting off inserts, machining close to shoulders and left hand toolholders.

GVN26

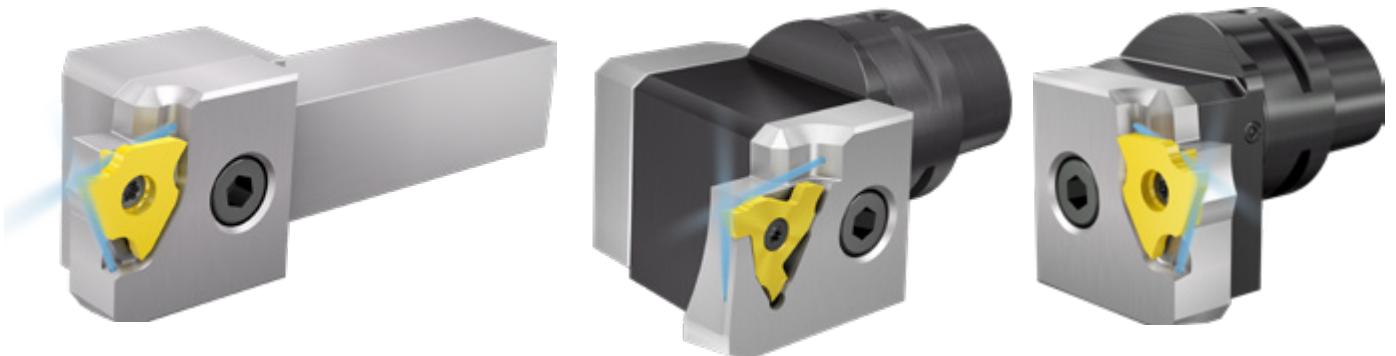


GVN29



Modular Holders with High Pressure Coolant (HPC)

- Quick change modules for **GrooVical** GVN26 and GVN29 inserts for precise grooving, turning and parting off
- High pressure coolant up to 100 bar
- Modules are suitable for parallel and 90° modular square bodies and the **NEW** GROOVEX polygon shaped V-CAP holders (C4, C5, C6)
- Groovex V-Cap holders are according to ISO 26623



For more information see page 77.

Groovical Technical Data

Recommended Grades and Cutting Data

Material Group	Vargus No.	Material	Hardness Brinell HB	Vc [m/min]	
				Coated	
				VKX	VN020
P Steel	1	Unalloyed Steel	Low Carbon (C=0.1-0.25%)	125	140-200
	2		Medium Carbon (C=0.25-0.55%)	150	120-180
	3		High Carbon (C=0.55-0.85%)	170	110-180
	4	Low Alloy Steel (alloying elements≤5%)	Non Hardened	180	100-155
	5		Hardened	275	110-180
	6		Hardened	350	80-135
	7	High Alloy Steel (alloying elements>5%)	Annealed	200	70-115
	8		Hardened	325	50-100
	9	Cast Steel	Low Alloy (alloying elements <5%)	200	30-50
	10		High Alloy (alloying elements >5%)	225	20-40
M Stainless Steel	11	Stainless Steel Ferritic	Non Hardened	200	70-120
	12		Hardened	330	60-95
	13	Stainless Steel Austenitic	Austenitic	180	70-120
	14		Super Austenitic	200	40-90
	15	Stainless Steel Cast Ferritic	Non Hardened	200	80-110
	16	Stainless Steel Cast Austenitic	Hardened	330	65-110
	17		Austenitic	200	85-100
	18	Hardened	330	60-100	
K Cast Iron	28	Malleable Cast Iron	Ferritic (short chips)	130	70-120
	29		Pearlitic (long chips)	230	70-120
	30	Grey Cast Iron	Low Tensile Strength	180	70-120
	31		High Tensile Strength	260	60-100
	32	Nodular Sg Iron	Ferritic	160	50-80
33	Pearlitic		260	60-90	
N(K) Non-Ferrous Metals	34	Aluminium Alloys Wrought	Non Aging	60	100-240
	35		Aged	100	80-170
	36	Aluminium Alloys Cast	Cast	75	100-150
	37		Cast & Aged	90	80-120
	38	Aluminium Alloys Cast Si 13-22%	130	100-150	300-400
	39	Copper and Copper Alloys	Brass	90	80-200
	40		Bronze And Non Leaded Copper	100	80-200
S(M) Heat Resistant Material	19	High Temperature Alloys	Annealed (iron based)	200	45-60
	20		Aged (iron based)	280	35-50
	21		Annealed (nickel or cobalt based)	250	20-30
	22		Aged (nickel or cobalt based)	350	15-25
	23	Titanium Alloys	Pure 99.5 Ti	400Rm	140-170
	24		α+β Alloys	1050Rm	50-70
H(K) Hardened Material	25	Extra Hard Steel	Hardened & Tempered	45-50HRC	45-60
	26			51-55HRC	40-50

! The maximum recommended **feed rate** is one-tenth of the insert width (W).

! The minimum recommended **depth of cut** is twice the corner radius (r).

VTX

Excellent for Grooving applications in medium-to-high cutting speeds and in dry conditions. Multi-layered AlTiN coated, general purpose grade for prevention of peeling and chipping.

* For **VTX Grade**, increase speed by 20%.

VKX

Standard grade for Grooving applications. Single-layered AlTiN+TiN coated.

VN020 NEW

Uncoated grade specially designed for Aluminum and Copper alloys. The high positive rake geometry and the sharp cutting edge of these inserts produce low forces while machining.

Recommended Feed Rate for Grooving & Turning Finishing Operations

Insert Width (mm)	High Alloy Steel, 330 HB, 2100 Kc [N/mm ²]		Austenitic Stainless Steel, 200 HB, 2600 Kc [N/mm ²]	
	Depth ap = Insert Width x variable	Average f mm/rev	Depth ap = Insert Width x variable	Average f mm/rev
0.4 mm - 0.9 mm	0.55	0.04	0.35	0.02
1.0 mm - 1.5mm	0.55	0.07	0.35	0.04
1.6 mm - 2.0 mm	0.60	0.11	0.40	0.07
2.1 mm - 2.5 mm	0.60	0.14	0.40	0.09
2.6 mm - 3.0 mm	0.60	0.17	0.40	0.11
3.1 mm - 4.0mm	0.60	0.21	0.40	0.14
4.1 mm - 5.5 mm	0.60	0.28	0.40	0.19

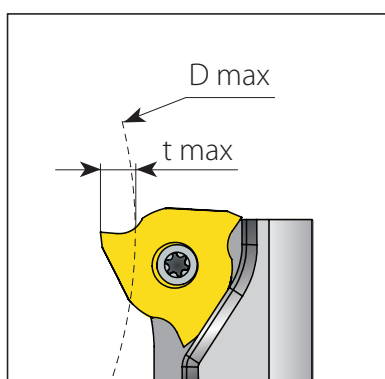
The above recommendations are for achieving a stable and recurring tool life.

Exceeding higher feed rates may cause excessive wear and breakage.

D max Limitations

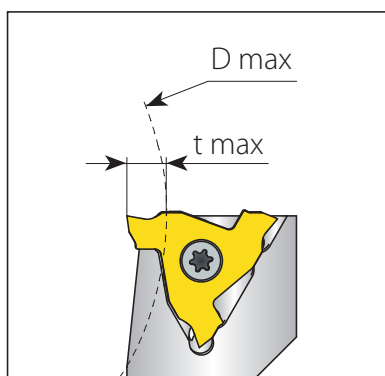
GVN26 External - Depth of Groove in Relation to Workpiece Dia.

D max is 150mm



GV29 / GVN29 External - Depth of Groove in Relation to Workpiece Dia.

Dimensions mm	
t max	D max
0.5	1085.0
1	590.0
1.5	408.0
2	310.0
2.5	250.0
3	210.0
3.5	180.0
4	160.0
4.5	145.0
5	130.0
5.5	120.0
6	110.0
6.5	105.0



GrooVical Inserts

Super Positive Rake Grooving.....	68
Turning & Grooving Chip Former.....	69
Square Grooving.....	70
Round Grooving.....	71
Parting Off.....	72
GV29 Neutral:	
Square Grooving.....	73
Round Grooving.....	73

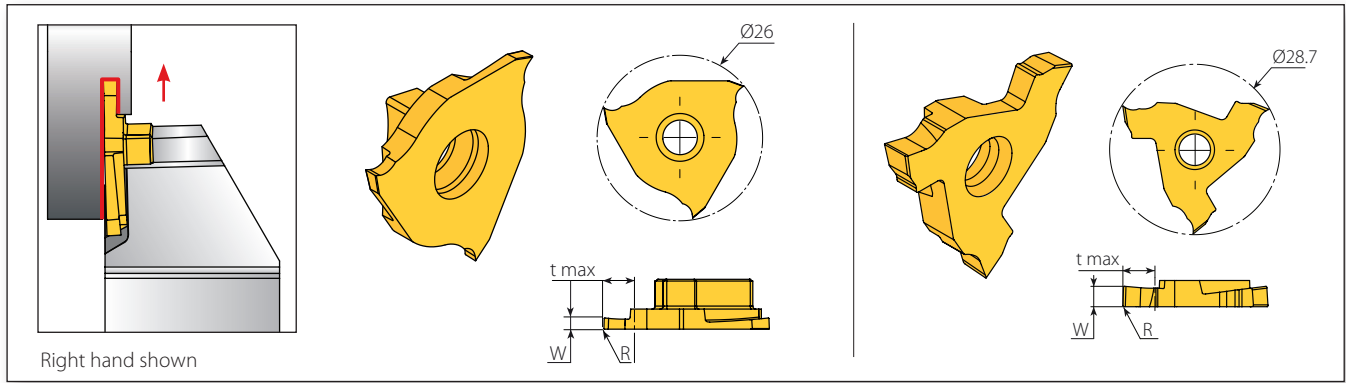


GrooVical Inserts Ordering Code System

GVN	26	R	P	0.5	-	0.05	-	15	R	VKX
1	2	3	4	5		6		7	8	9
1 - Insert Type GVN - Groovical Close to Shoulder GV - Groovical Neutral	2 - Circular Circumference 26 - 26 mm 29 - 28.7 mm		3 - RH or LH R - RH L - LH N - RH/LH		4 - Type of Application T - Turning & Grooving S - Square Grooving SP - Positive Rake Grooving R - Round Grooving P - Parting Off X - Special Profile			5 - Grooving Width 0.5 to 6.35mm		
7 - Approach Angle 6 - 6 Deg. 15 - 15 Deg.	8 - Cutting Side R - Right corner leading L - Left corner leading None - Neutral		9 - Carbide Grade VTX, VKX, VN020			6 - Corner Radius 0.0 - 1mm				

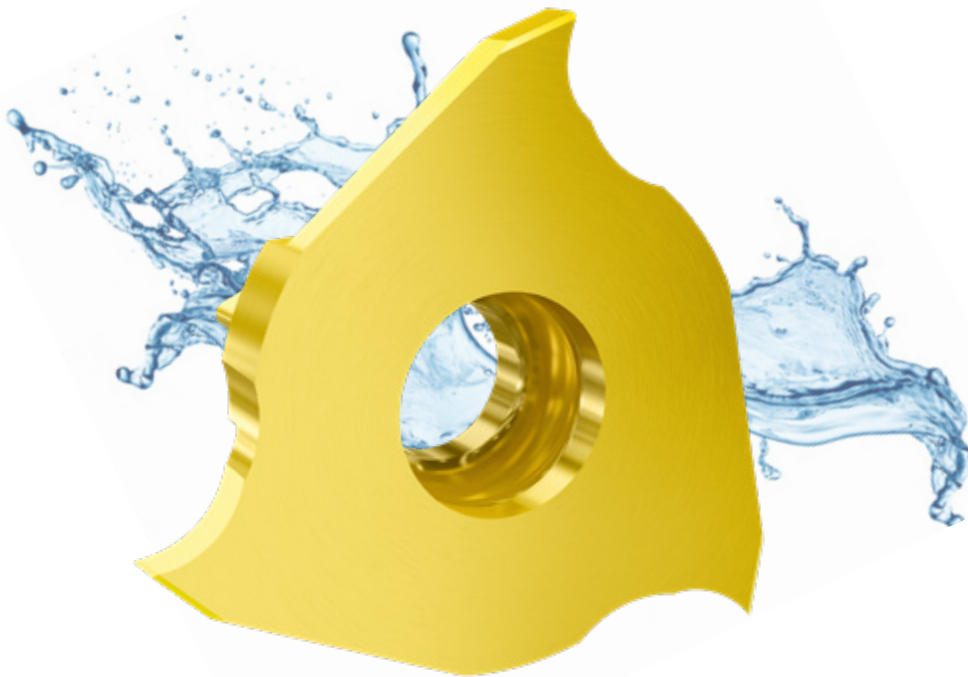
Close to Shoulder **Super Positive Rake Grooving (SP)**

NEW

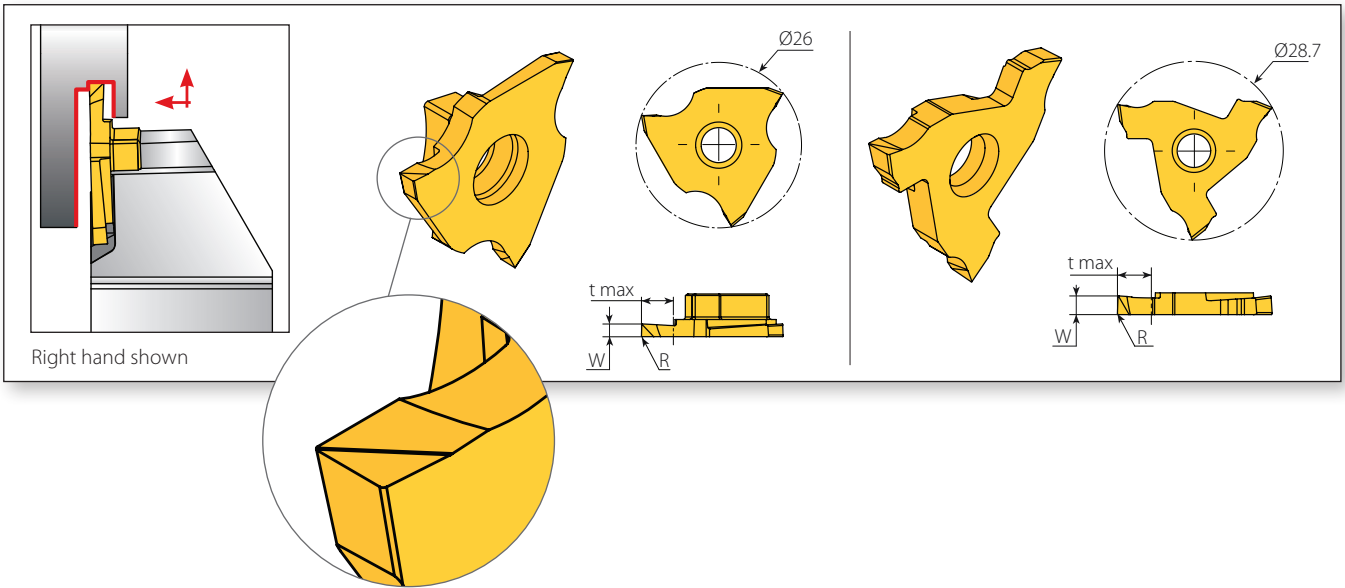


Insert Size	Ordering Code	Dimensions mm			Grade		Toolholder
		W ± 0.02	R ± 0.03	t max	VN020 <small>NEW</small>	VTX	
26	GVN26R/LSP1.0-0.08	1.0	0.08	2.25	•	•	GVNE...-26, GVNE90...-26
	GVN26R/LSP1.5-0.08	1.5	0.08	3.00	•	•	
	GVN26R/LSP2.0-0.1	2.0	0.10	3.75	•	•	
	GVN26R/LSP2.5-0.15	2.5	0.15	3.75	•	•	
29	GVN29R/LSP3.0-0.2	3.0	0.20	4.90	◦	•	GVNE...-29-1, GVNE90...-29-2, GVNI...-29

• In stock ◦ Available upon request



Close to Shoulder **Square Turning & Grooving** Chip Former



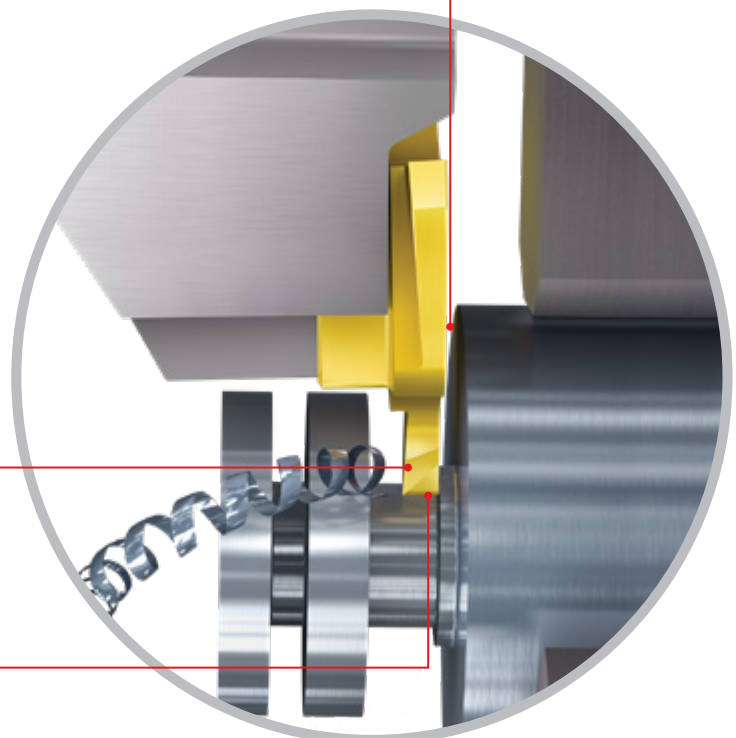
Insert Size	Ordering Code	Dimensions mm			Grade		Toolholder
IC	RH/LH	W ^{+0.02}	R ^{±0.03}	t max	VKX	VTX	
26	GVN26R/LT1.0-0.06	1.0	0.06	3.0	•	◦	GVNE...-26, GVNE90...-26
	GVN26R/LT1.0-0.08	1.0	0.08	3.0	◦	•	
	GVN26RT1.0-0.12	1.0	0.12	1.5	◦	•	
	GVN26RT1.4-0.05	1.4	0.05	2.0	◦	•	
	GVN26R/LT1.5-0.08	1.5	0.08	4.0	◦	•	
	GVN26RT1.5-0.20	1.5	0.20	3.0	◦	•	
	GVN26R/LT2.0-0.1	2.0	0.10	5.0	•	•	
GVN26R/LT2.5-0.15	2.5	0.15	5.0	◦	•		
29	GVN29R/LT3.0-0.2	3.0	0.20	6.5	◦	•	GVNE...-29-1, GVNE90...-29-2, GVNI...-29

• In stock ◦ Available upon request

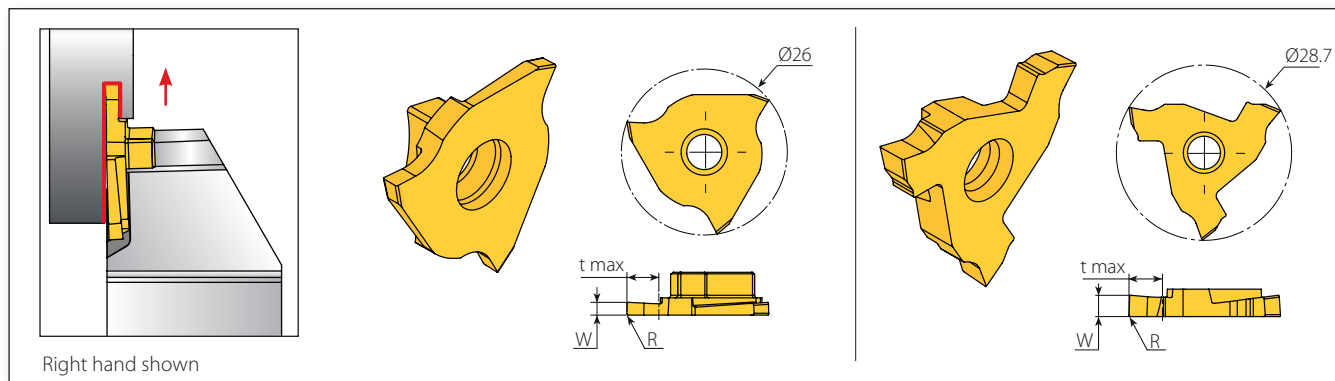
Close to shoulder machining

Turning and Grooving positive Chip Former, preventing tangled chips around the workpiece

Grooving up to 6.5mm depth



Close to Shoulder Square Grooving



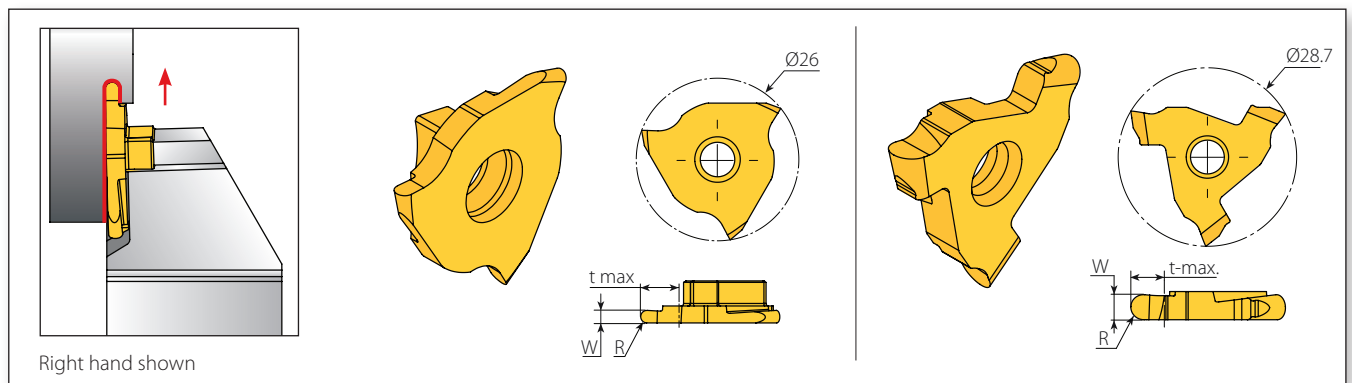
Insert Size	Ordering Code	Dimensions mm			Grade		Toolholder
		W \pm 0.02	R \pm 0.03	t max	VKX	VTX	
26	GVN26R/LS0.5-0.12	0.50	0.12	1.0	○	●	GVNE...-26, GVNE90...-26
	GVN26R/LS0.57-00	0.57	0.00	1.0	●	●	
	GVN26R/LS0.77-00	0.77	0.00	1.6	○	●	
	GVN26R/LS0.79-00	0.79	0.00	1.6	●	○	
	GVN26R/LS0.79-0.2	0.79	0.20	1.6	●	●	
	GVN26RS0.8-0.2	0.80	0.20	2.0	●	○	
	GVN26R/LS0.87-00	0.87	0.00	2.0	●	○	
	GVN26R/LS0.97-00	0.97	0.00	2.0	●	○	
	GVN26RS1.0-0.1	1.00	0.10	2.0	●	●	
	GVN26LS1.0-0.1	1.00	0.10	2.0	●	○	
	GVN26R/LS1.07-00	1.07	0.00	2.0	●	○	
	GVN26R/LS1.2-00	1.20	0.00	2.0	●	○	
	GVN26R/LS1.24-00	1.24	0.00	2.0	●	○	
	GVN26R/LS1.4-00	1.40	0.00	2.0	●	○	
	GVN26R/LS1.44-00	1.44	0.00	2.0	●	●	
	GVN26RS1.5-0.1	1.50	0.10	3.0	●	●	
	GVN26LS1.5-0.1	1.50	0.10	3.0	●	○	
	GVN26R/LS1.5-0.2	1.50	0.20	5.0	●	○	
	GVN26R/LS1.58-0.2	1.58	0.20	3.0	●	○	
	GVN26R/LS1.6-00	1.60	0.00	3.0	●	○	
	GVN26RS1.6-0.4	1.60	0.40	3.5	○	●	
	GVN26R/LS1.7-0.1	1.70	0.10	3.0	●	○	
	GVN26R/LS1.74-00	1.74	0.00	3.0	●	○	
	GVN26RS1.8-0.15	1.80	0.15	4.5	○	●	
	GVN26RS1.8-0.4	1.80	0.40	4.5	○	●	
	GVN26RS1.9-0.4	1.90	0.40	4.5	○	●	
	GVN26R/LS2.0-00	2.00	0.00	3.0	●	○	
	GVN26R/LS2.0-0.1	2.00	0.10	3.0	●	○	
	GVN26RS2.0-0.15	2.00	0.15	4.5	○	●	
	GVN26RS2.0-0.2	2.00	0.20	5.0	●	●	
	GVN26LS2.0-0.2	2.00	0.20	5.0	●	○	
	GVN26RS2.0-0.4	2.00	0.40	4.5	○	●	
	GVN26R/LS2.22-0.15	2.22	0.15	5.0	●	○	
	GVN26RS2.25-0.4	2.25	0.40	4.5	○	●	
	GVN26RS2.25-0.8	2.25	0.80	5.0	○	●	
	GVN26R/LS2.39-0.15	2.39	0.15	5.0	●	○	
GVN26RS2.4-0.15	2.40	0.15	4.5	○	●		
GVN26LS2.45-0.3	2.45	0.30	4.5	○	●		
GVN26R/LS2.47-0.2	2.47	0.20	5.0	●	○		

Close to Shoulder Square Grooving (con't)

Insert Size	Ordering Code	Dimensions mm			Grade		Toolholder
IC	RH/LH	W ^{±0.02}	R ^{±0.03}	t max	VKX	VTX	
29	GVN29R/LS2.38-0.1	2.38	0.10	6.5	•	○	GVNE...-29-1, GVNE90...-29-1, GVNI...-29
	GVN29R/LS2.5-0.1	2.50	0.10	6.5	•	○	
	GVN29RS2.5-0.2	2.50	0.20	6.5	○	•	
	GVN29R/LS2.7-0.1	2.70	0.10	6.5	•	○	
	GVN29R/LS3.0-0.2	3.00	0.20	6.5	•	○	
	GVN29R/LS3.17-0.2	3.17	0.20	6.5	•	○	
	GVN29R/LS3.5-0.2	3.50	0.20	6.5	•	•	GVNE...-29-2, GVNE90...-29-2, GVNI...-29
	GVN29R/LS4.0-0.4	4.00	0.40	6.5	•	•	
	GVN29RS4.15-0.6	4.15	0.60	6.5	○	•	
	GVN29R/LS5.0-0.4	5.00	0.40	6.5	•	•	

• In stock ○ Available upon request

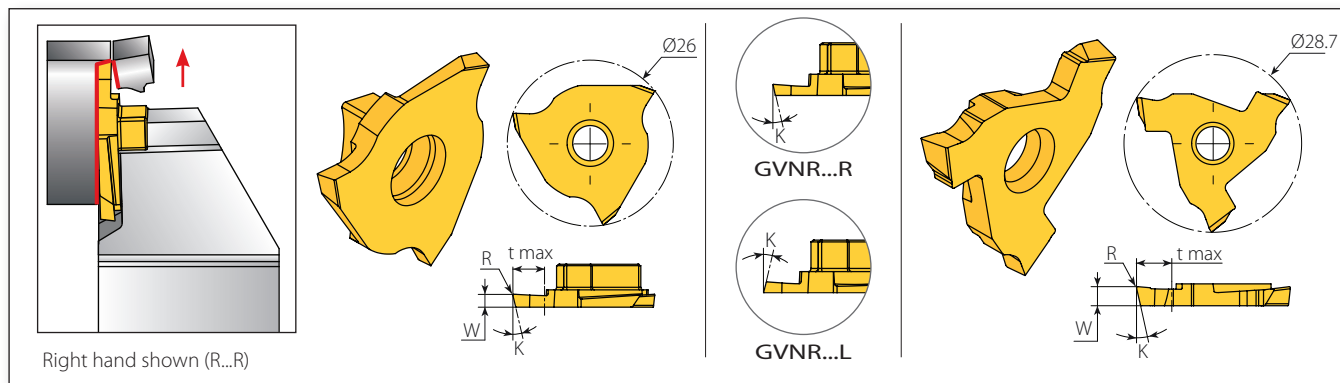
Close to Shoulder Round Grooving



Insert Size	Ordering Code	Dimensions mm			Grade		Toolholder		
IC	RH/LH	W ^{±0.02}	R ^{±0.03}	t max	VKX	VTX			
26	GVN26R/LR0.5-0.25	0.50	0.25	1.0	•	○	GVNE...-26, GVNE90...-26		
	GVN26R/LR0.79-0.39	0.79	0.39	1.6	•	○			
	GVN26R/LR1.0-0.5	1.00	0.50	2.0	•	○			
	GVN26RR1.2-0.6	1.20	0.60	2.0	•	•			
	GVN26LR1.2-0.6	1.20	0.60	2.0	•	○			
	GVN26RR1.5-0.75	1.50	0.75	5.0	•	•			
	GVN26LR1.5-0.75	1.50	0.75	5.0	•	○			
	GVN26R/LR1.6-0.8	1.60	0.80	3.0	•	○			
	GVN26R/LR2.0-1.0	2.00	1.00	3.0	•	○			
	GVN26RR2.39-1.19	2.39	1.19	5.0	•	•			
	GVN26LR2.39-1.19	2.39	1.19	5.0	•	○			
	29	GVN29RR1.5-0.75	1.50	0.75	6.5	○		•	GVNE...-29-1, GVNE90...-29-1, GVNI...-29
		GVN29RR2.0-1.0	2.00	2.00	6.0	○		•	
GVN29R/LR2.38-1.19		2.38	1.19	6.5	•	○			
GVN29R/LR2.5-1.25		2.50	1.25	6.5	•	○			
GVN29R/LR3.0-1.5		3.00	1.50	6.5	•	○			
GVN29R/LR3.17-1.59		3.17	1.59	6.5	•	○			
GVN29R/LR4.0-2.0		4.00	2.00	6.5	•	•	GVNE...-29-2, GVNE90...-29-2, GVNI...-29		

• In stock ○ Available upon request

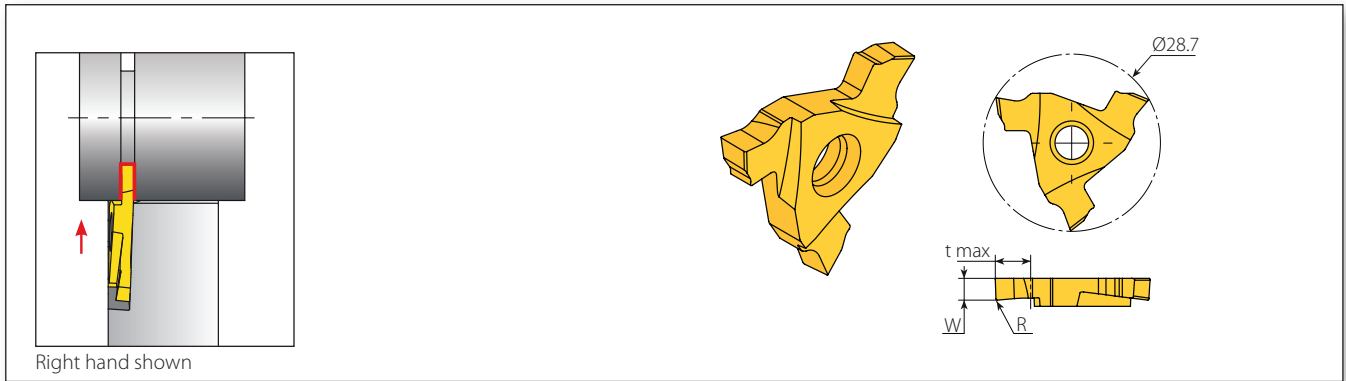
Close to Shoulder Parting Off



Insert Size	Ordering Code	Dimensions mm				Grade		Toolholder
		W ± 0.02	R ± 0.03	t max	K $^\circ$	VKX	VTX	
26	GVN26RP0.5-0.05-06R	0.5	0.05	1.0	6	•	◦	GVNE...-26, GVNE90...-26
	GVN26RP0.5-0.05-06L	0.5	0.05	1.0	6	•	◦	
	GVN26LP0.5-0.05-06R	0.5	0.05	1.0	6	•	◦	
	GVN26LP0.5-0.05-06L	0.5	0.05	1.0	6	•	◦	
	GVN26RP0.5-0.05-15R	0.5	0.05	1.0	15	•	◦	
	GVN26RP0.5-0.05-15L	0.5	0.05	1.0	15	•	◦	
	GVN26LP0.5-0.05-15R	0.5	0.05	1.0	15	•	◦	
	GVN26LP0.5-0.05-15L	0.5	0.05	1.0	15	•	◦	
	GVN26RP0.8-0.05-06R	0.8	0.05	4.0	6	◦	•	
	GVN26RP1.0-0.05-15R	1.0	0.05	3.5	15	◦	•	
	GVN26R/LP1.2-0.08-05R	1.2	0.08	1.0	5	•	◦	
	GVN26LP1.4-0.00-15R	1.4	0.00	5.0	15	◦	•	
	GVN26RP1.4-0.05-06R	1.4	0.05	5.0	6	•	◦	
	GVN26RP1.4-0.05-06L	1.4	0.05	5.0	6	•	◦	
	GVN26LP1.4-0.05-06R	1.4	0.05	5.0	6	•	◦	
	GVN26LP1.4-0.05-06L	1.4	0.05	5.0	6	•	◦	
	GVN26RP1.4-0.05-15R	1.4	0.05	5.0	15	•	◦	
	GVN26RP1.4-0.05-15L	1.4	0.05	5.0	15	•	◦	
	GVN26LP1.4-0.05-15R	1.4	0.05	5.0	15	•	◦	
	GVN26LP1.4-0.05-15L	1.4	0.05	5.0	15	•	◦	
	GVN26RP1.4-0.2-06R	1.4	0.20	5.0	6	◦	•	
	GVN26RP2.0-0.1-06R	2.0	0.10	5.0	6	•	•	
	GVN26RP2.0-0.1-06L	2.0	0.10	5.0	6	•	◦	
	GVN26LP2.0-0.1-06R	2.0	0.10	5.0	6	•	◦	
	GVN26LP2.0-0.1-06L	2.0	0.10	5.0	6	•	◦	
	GVN26RP2.0-0.1-10R	2.0	0.10	6.2	10	◦	•	
GVN26RP2.0-0.1-15R	2.0	0.10	5.0	15	•	◦		
GVN26RP2.0-0.1-15L	2.0	0.10	5.0	15	•	◦		
GVN26LP2.0-0.1-15R	2.0	0.10	5.0	15	•	◦		
GVN26LP2.0-0.1-15L	2.0	0.10	5.0	15	•	◦		
29	GVN29RP2.5-0.2-06R	2.5	0.20	6.5	6	•	•	GVNE...-29-1, GVNE90...-29-1, GVNI...-29
	GVN29RP2.5-0.2-06L	2.5	0.20	6.5	6	◦	◦	
	GVN29LP2.5-0.2-06R	2.5	0.20	6.5	6	◦	◦	
	GVN29LP2.5-0.2-06L	2.5	0.20	6.5	6	•	•	
	GVN29RP2.5-0.2-15R	2.5	0.20	6.5	15	•	•	
	GVN29RP2.5-0.2-15L	2.5	0.20	6.5	15	◦	◦	
	GVN29LP2.5-0.2-15R	2.5	0.20	6.5	15	◦	◦	
	GVN29LP2.5-0.2-15L	2.5	0.20	6.5	15	•	•	
	GVN29RP3.0-0.2-06R	3.0	0.20	6.5	6	•	•	
	GVN29RP3.0-0.2-06L	3.0	0.20	6.5	6	◦	◦	
	GVN29LP3.0-0.2-06R	3.0	0.20	6.5	6	◦	◦	
	GVN29LP3.0-0.2-06L	3.0	0.20	6.5	6	•	•	
	GVN29RP3.0-0.2-15R	3.0	0.20	6.5	15	•	•	
	GVN29RP3.0-0.2-15L	3.0	0.20	6.5	15	◦	◦	
	GVN29LP3.0-0.2-15R	3.0	0.20	6.5	15	◦	◦	
	GVN29LP3.0-0.2-15L	3.0	0.20	6.5	15	•	•	

• In stock ◦ Available upon request

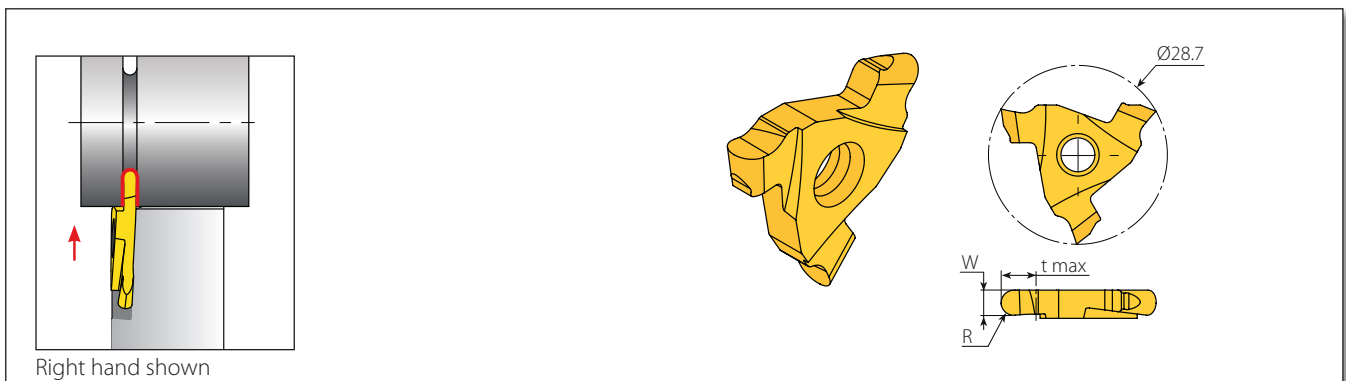
Square Grooving (GV29)



Insert Size	Ordering Code	Dimensions mm			Grade		Toolholder
		W ± 0.02	R ± 0.03	t max	VKX	VTX	
29	GV29R/LS2.38-0.1	2.38	0.10	6.5	•	•	GVE...-29-1, GVE90...-2901, GVI...-29
	GV29R/LS2.5-0.1	2.50	0.10	6.5	•	•	
	GV29R/LS2.7-0.1	2.70	0.10	6.5	•	•	
	GV29R/LS3.0-0.2	3.00	0.20	6.5	•	•	
	GV29RS3.0-0.4	3.00	0.40	6.5	•	•	
	GV29R/LS3.17-0.2	3.17	0.20	6.5	•	•	GVE...-29-2, GVE90...-29-2, GVI...-29, GVNE...-29-2, GVNE90...-29-2, GVNI...-29
	GV29R/LS3.5-0.2	3.50	0.20	6.5	•	•	
	GV29R/LS4.0-0.4	4.00	0.40	6.5	•	•	
	GV29RS4.0-0.8	4.00	0.80	6.5	◦	•	
	GV29RS4.5-0.3	4.50	0.30	6.5	◦	•	
GV29R/LS5.0-0.4	5.00	0.40	6.5	•	•		

• In stock ◦ Available upon request

Round Grooving (GV29)

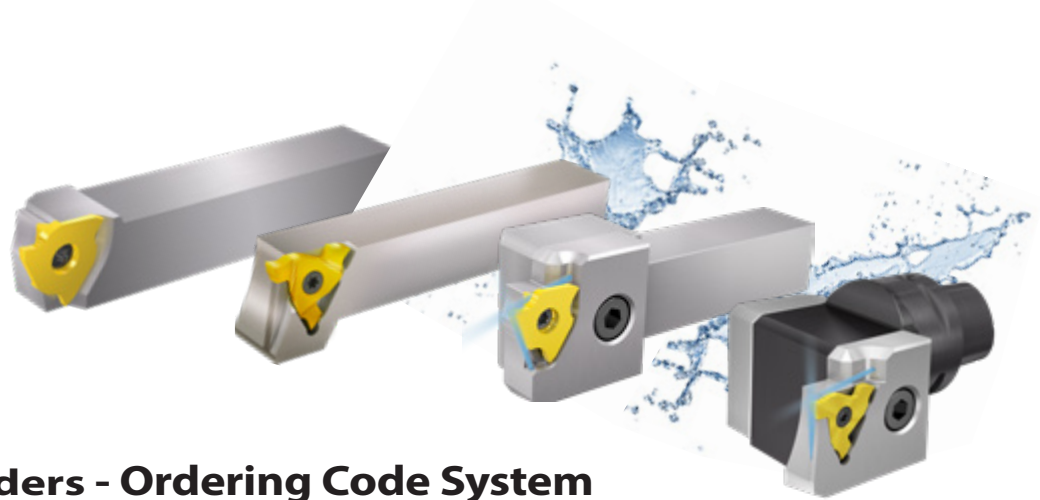


Insert Size	Ordering Code	Dimensions mm			Grade		Toolholder
		W ± 0.02	R ± 0.03	t max	VKX	VTX	
29	GV29R/LR2.38-1.19	2.38	1.19	6.5	•	•	GVE...-29-1, GVE90...-2901, GVI...-29
	GV29R/LR2.5-1.25	2.50	1.25	6.5	•	•	
	GV29R/LR3.0-1.5	3.00	1.50	6.5	•	•	
	GV29R/LR3.17-1.59	3.17	1.59	6.5	•	•	GVE...-29-2, GVE90...-29-2, GVI...-29, GVNE...-29-2, GVNE90...-29-2, GVNI...-29
	GV29R/LR4.0-2.0	4.00	2.00	6.5	•	•	

• In stock ◦ Available upon request

Groovical Holders

- Close to Shoulder External Toolholders..... 75
- Close to Shoulder External Toolholders 90°..... 76
- Modules with High Pressure Coolant..... 77
- Modular Bodies with HPC..... 78
- Modular V-CAP Holders with HPC..... 79
- External Toolholders (GV29)..... 80
- External Toolholders 90° (GV29)..... 80



Groovical Holders - Ordering Code System

Square Holders

GVN	E	R	20	-	29	-	1
1	2	3	4		5		7

Modules

GVN	A	R	29	-	T6.5	-
1	2	3	5		6	

1 - Insert Type GVN - Groovical Close to Shoulder GV - Groovical Neutral	2 - External Type E - External E90 - External 90° A - Module	3 - RH or LH R - RH L - LH	4 - Shank Size 10, 12, 16, 20, 25, 32, 40 mm
---	--	---	--

5 - Insert Size 26 29	6 - t max (for Modules Only) T5.5 - 5.5mm T6.5 - 6.5mm	7 - Insert Width (for GVN29 & GV29) 1 - 2.5 - 3.5mm 2 - 3.6 - 5.5mm	8 - Coolant C - Coolant (for Modular system)
------------------------------------	---	--	--

Square Bodies

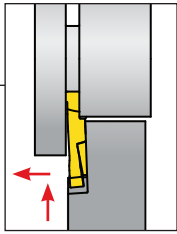
VBM	R	2525	-	90	-	C
1	2	3		4		5

V-CAP Bodies

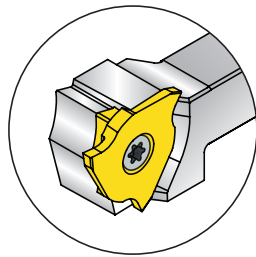
VBM	R	C5	-	90	-	C
1	2	3		4		5

1 - Body Type VBM - Square body VBC - V-CAP body	2 - RH or LH R - RH L - LH None - Neutral	3 - Shank Width 2525 - Square body dimensions C5 - V-CAP polygon shape	4 - Approach Angle 0 - Parallel 0° 90 - 90°	5 - Coolant C - Coolant
---	---	---	--	-----------------------------------

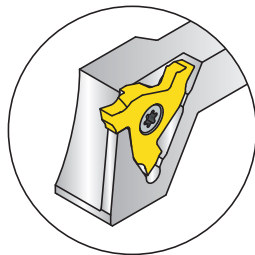
Close to Shoulder External Toolholders



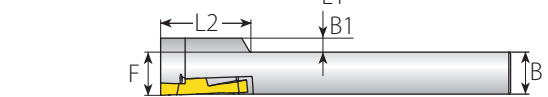
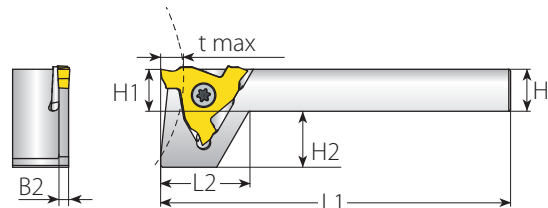
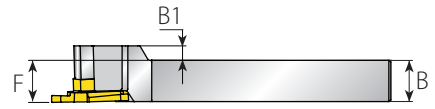
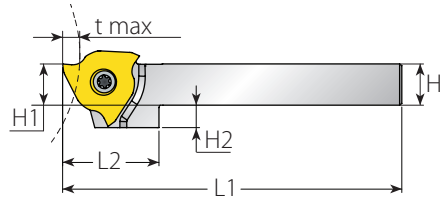
Right hand shown



GVN26



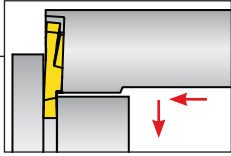
GVN29



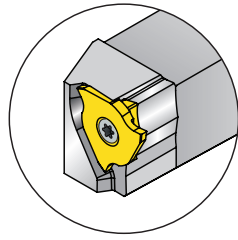
Insert Size	Ordering Code	Dimensions mm									Spare Parts		
		RH/LH	H=B	L1	H1	L2	H2	F	B1	B2	t max/D max	Insert Screw*	Torx Key
26	GVNER/L10-26		10	125	10	28.0	8.5	10.2	6.2		See page 66	SGM5	L20IP
	GVNER/L12-26		12	125	12	28.0	6.5	12.2	4.2				
	GVNER/L16-26		16	125	16	28.0	2.5	16.2	-	-			
	GVNER/L20-26		20	125	20	28.0	-	20.2	-	-			
	GVNER/L25-26		25	150	25	28.0	-	25.2	-	-			
29	GVNER/L12-29-1		12	100	12	25.5	16	12.5	4	1.75			
	GVNER/L12-29-2		12	100	12	25.5	16	12.5	4	2.75			
	GVNER/L16-29-1		16	125	16	23.2	12	16.5	-	1.75			
	GVNER/L16-29-2		16	125	16	23.2	12	16.5	-	2.75			
	GVNER/L20-29-1		20	125	20	20.9	8	20.5	-	1.75			
	GVNER/L20-29-2		20	125	20	20.9	8	20.5	-	2.75			
	GVNER/L25-29-1		25	150	25	18.0	3	25.5	-	1.75			
	GVNER/L25-29-2		25	150	25	18.0	3	25.5	-	2.75			

* Tightening Torque 4.5 Nm

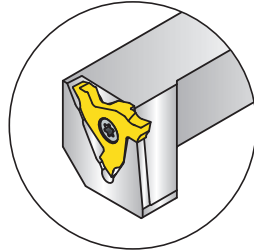
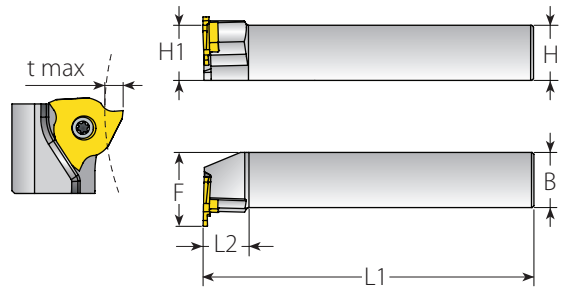
Close to Shoulder External Toolholders 90°



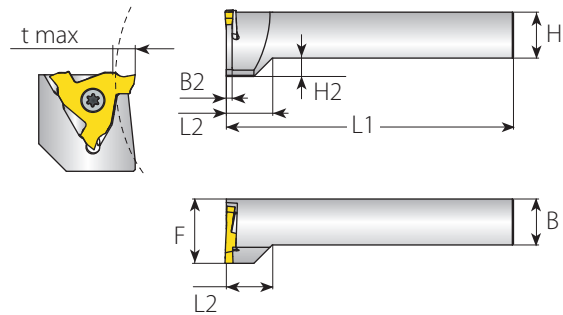
Right hand shown



GVN26



GVN29

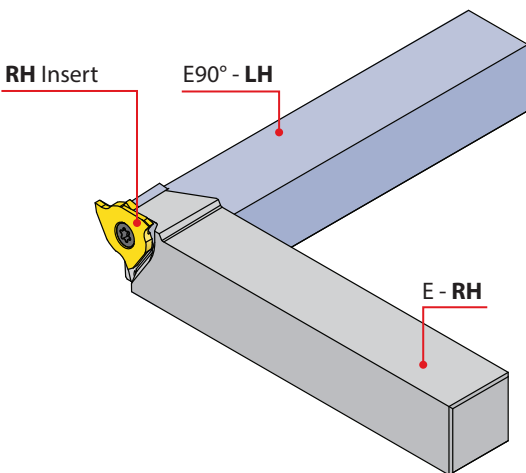


Spare Parts

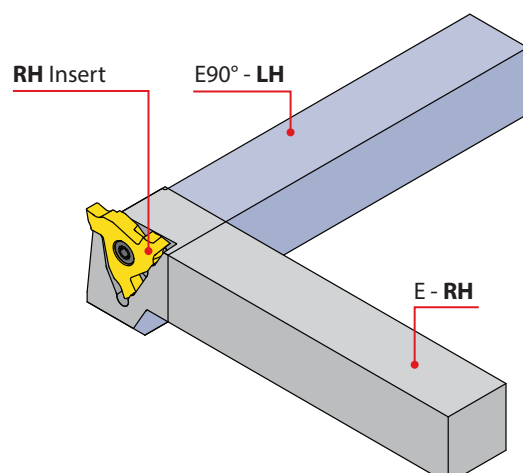
Insert Size	Ordering Code	Dimensions mm								Insert Screw*	Torx Key	
		RH/LH	H=B	L1	H1	L2	B2	H2	F			t max/D max
26	GVNE90R/L20-26		20	125	20	20.0	-	-	28.5	See page 66	SGM5	L20IP
	GVNE90R/L25-26		25	150	25	20.0	-	-	33.5			
29	GVNE90R/L20-29-1		20	125	20	20.2	1.75	8	28.0			
	GVNE90R/L20-29-2		20	125	20	20.2	2.75	8	28.0			
	GVNE90R/L25-29-1		25	150	25	25.0	1.75	3	33.0			
	GVNE90R/L25-29-2		25	150	25	25.0	2.75	3	33.0			

* Tightening Torque 4.5 Nm

For **LH90°** work applications use **LH toolholder** with **RH insert** and vice versa.

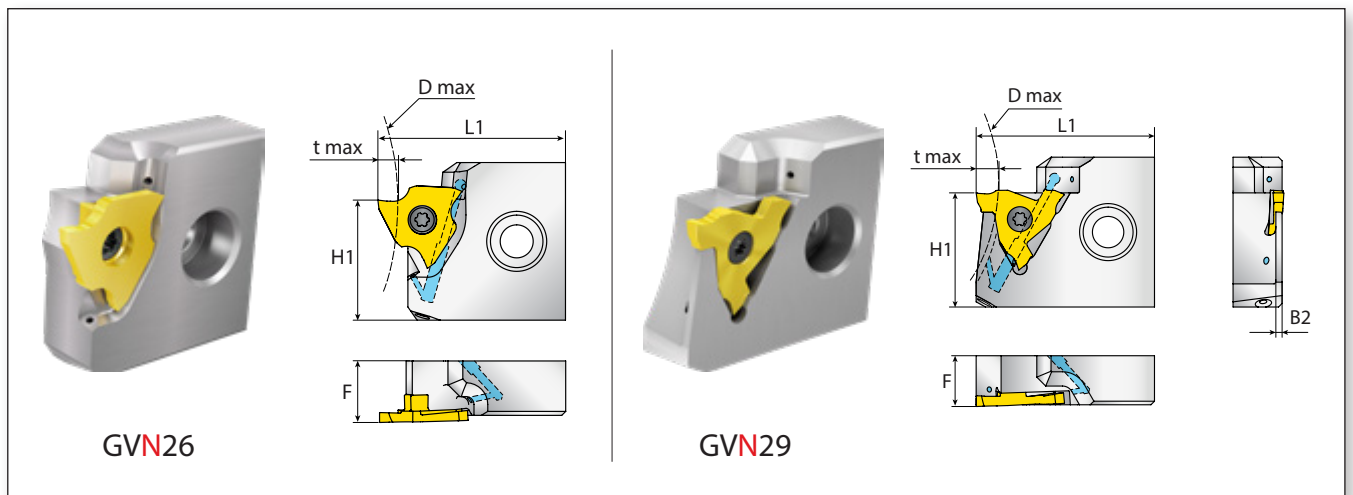
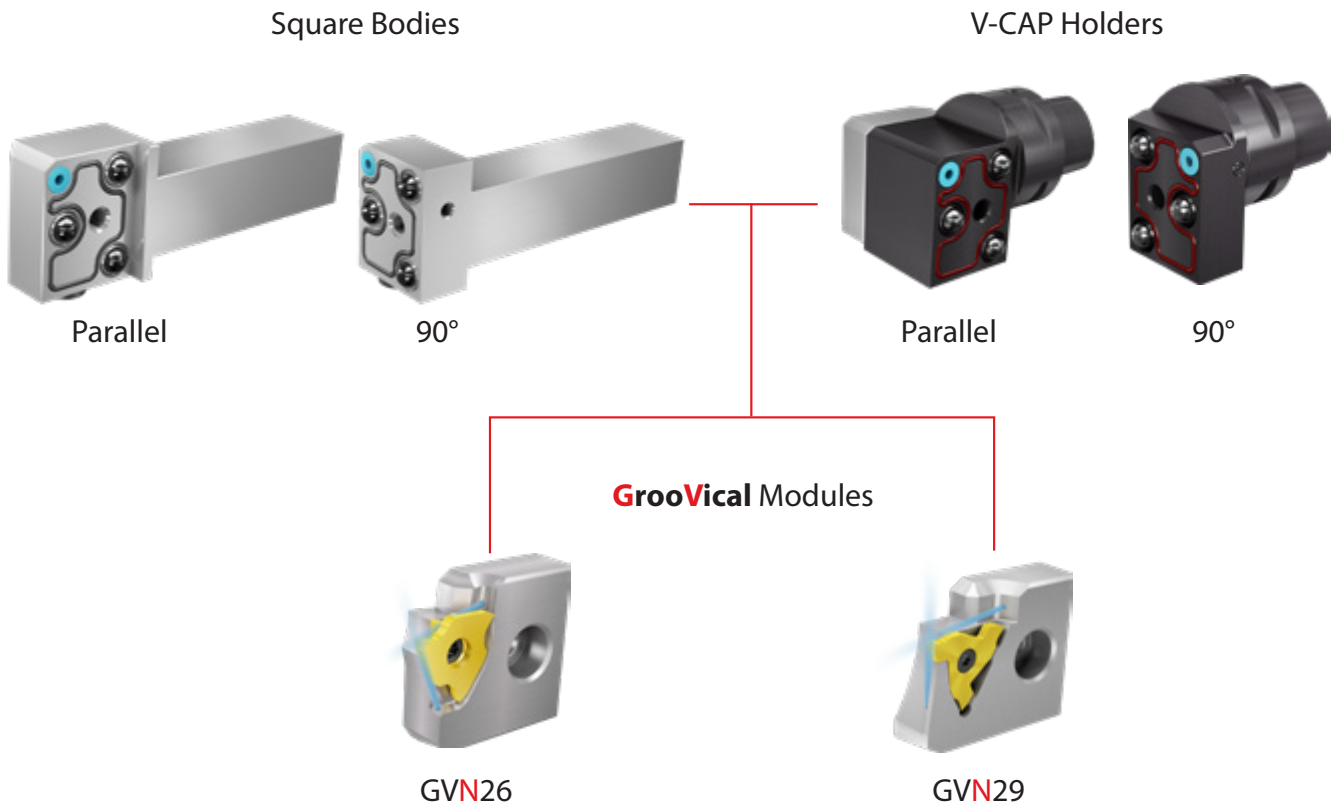


GVN26





GV29 / GVN29

Modular System with High Pressure Coolant (HPC)

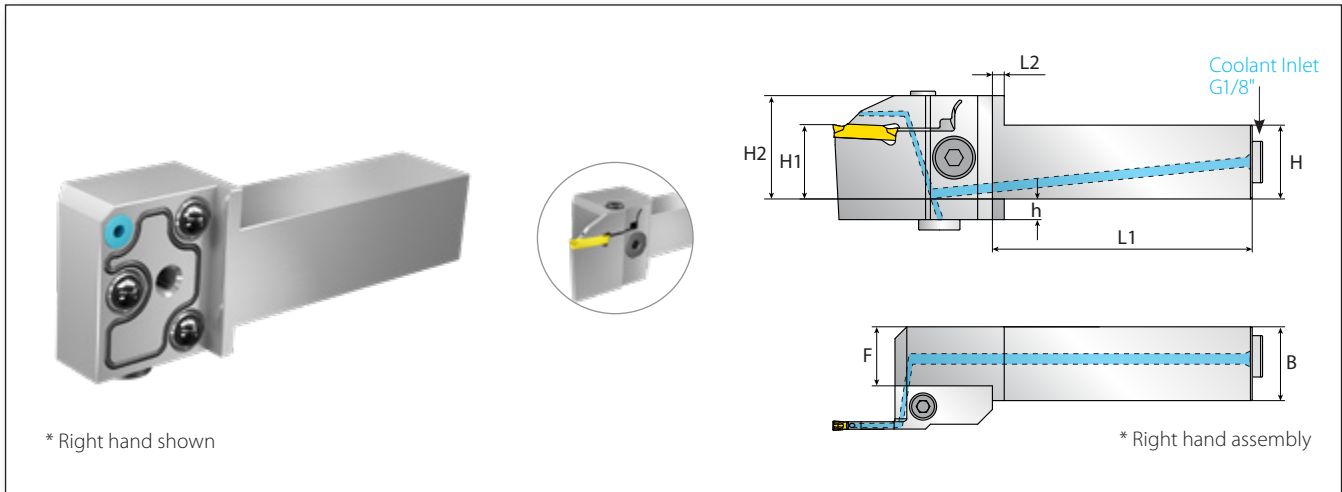


Modules with High Pressure Coolant

Modules with High Pressure Coolant								Spare Parts	
Insert Size	Ordering Code	Dimensions mm							
	RH/LH	L1	H1	F	B2	t max	D max	Insert Screw*	Torx Key
26	GVNAR/L26-T5.5C	50	32	15.55	-	5.5	See page 66	SGM5	L20IP
29	GVNAR/L29-T6.5-1C	50	32	14.25	1.75	6.5			
	GVNAR/L29-T6.5-2C				2.75	6.5			

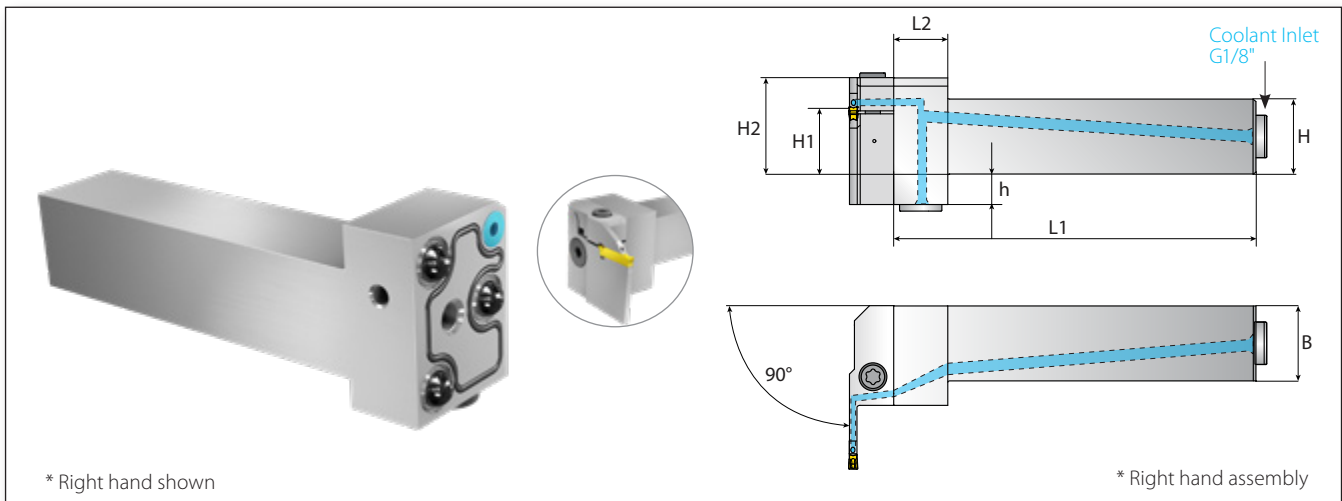
* Tightening Torque: 4.5 Nm max.

Modular Bodies with High Pressure Coolant



Parallel Square Bodies with HPC

Ordering Code		Dimensions mm						Spare Parts				
	H/H1	B	H2	h	F	L1	L2					
VBMR/L2020-00-C	20	20	30	12	15	106	4	SM8x25	K6H	Plug G1/8"	Coolant Sleeve	O-RING Body Seal
VBMR/L2525-00-C	25	25	35	7	20	121	4					
VBMR/L3225-00-C	32	25	42	0	20	136	4					



90° Square Bodies with HPC

Ordering Code		Dimensions mm						Spare Parts				
	RH/LH	H/H1	B	H2	h	L1	L2					
VBMR/L2020-90-C		20	20	30	12	111	18	SM8x25	K6H	Plug G1/8"	Coolant Sleeve	O-RING Body Seal
VBMR/L2525-90-C		25	25	35	7	120	18					
VBMR/L3232-90-C		32	32	42	0	130	18					

* Tightening Torque: 26 NM max.

Necessary Parts When Using Modules with High Pressure Coolant Thru:






1. Tube Connector 25-6P (x1)
2. Fittings (x2): Straight Fitting G1_8x6P or Angled Fitting G1_8x6P

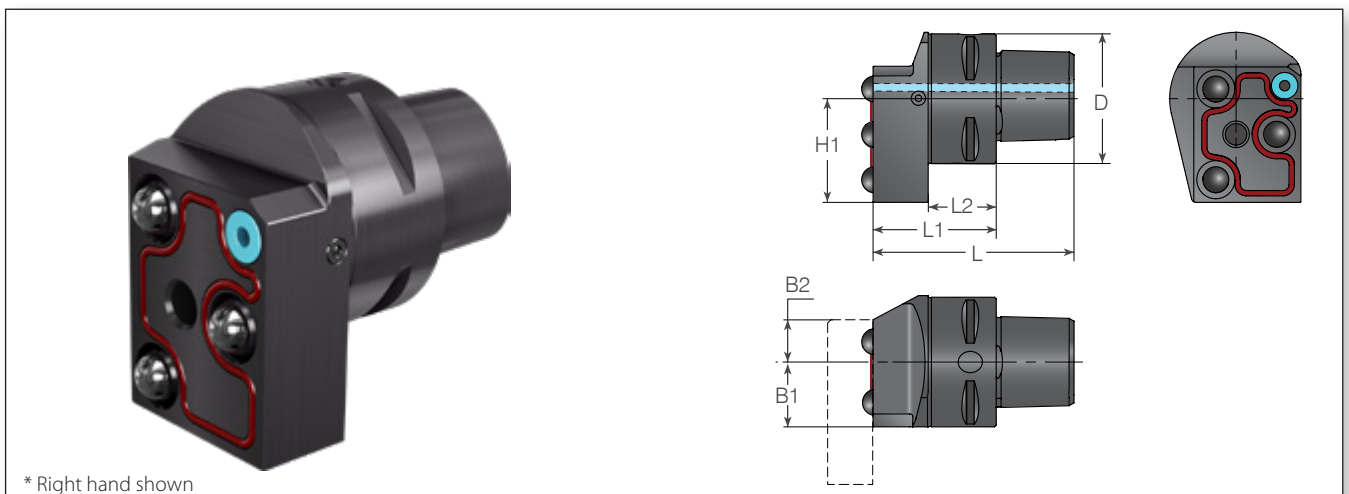
The above items are not included and should be ordered separately. For more information please see page 21.

Modular V-CAP Holders with HPC





Parallel V-CAP Bodies with HPC

Ordering Code		Dimensions mm						Spare Parts				
	D	L	L1	L2	B1	B2	H1					
VBC C4-00-C	40	78	54	21	17	29.9						
VBC C5-00-C	50	88	58	21	19.5	32.4	32	SM8x18	K6H	VG-MC	Coolant Sleeve	O-RING Body Seal
VBC C6-00-C	63	98	60	23	24.5	37.4						



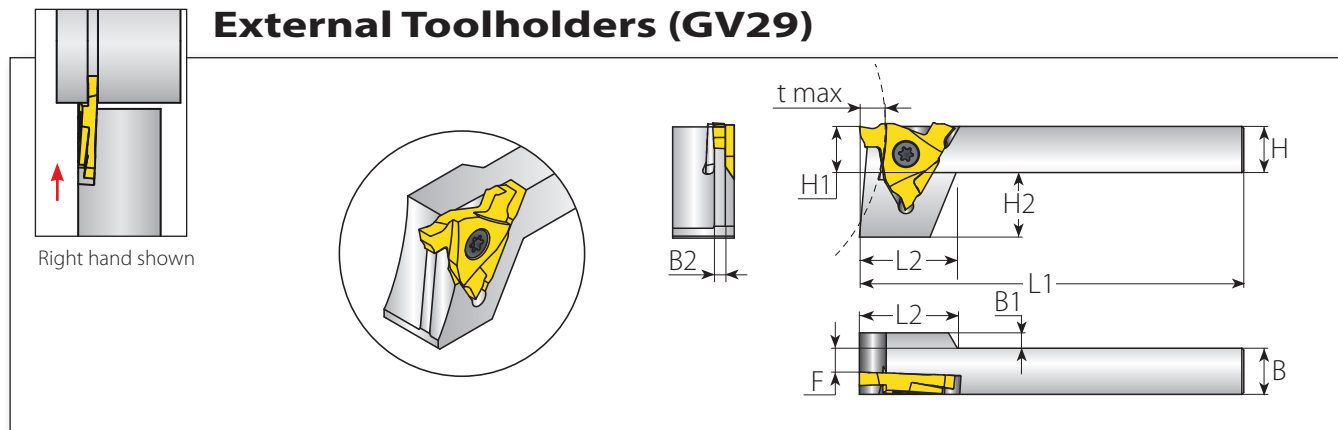
90° V-CAP Bodies with HPC

Ordering Code		Dimensions mm						Spare Parts			
RH/LH	D	L	L1	L2	B1	B2	H1				
VBCR/L C4-90-C	40	64	40	21	20	13.0					
VBCR/L C5-90-C	50	70	40	21	26.5	6.75	32	SM8x18	K6H	Coolant Sleeve	O-RING Body Seal
VBCR/L C6-90-C	63	78	40	23	32.7	0.5					

V-CAP holders are according to ISO 26623.

* Tightening Torque: 26 Nm max.

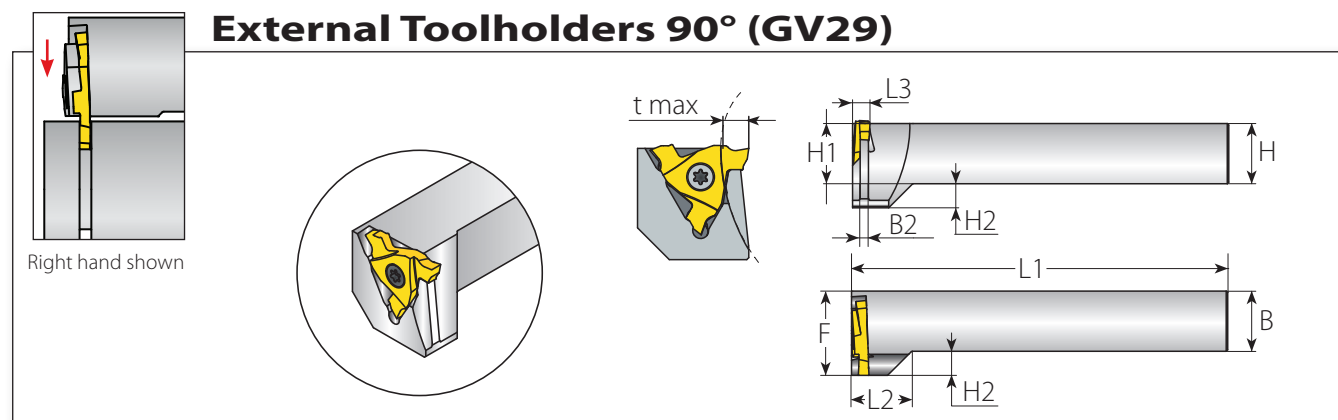
External Toolholders (GV29)



Insert Size	Ordering Code	Dimensions mm									Spare Parts		
		RH/LH	H=B	L1	H1	L2	H2	F	B1	B2	t max/D max	Insert Screw*	Torx Key
29	GVER/L12-29-1		12	100	12	25.5	16	7.2	4	1.75	See page 66	SGM5	L20IP
	GVER/L12-29-2		12	100	12	25.5	16	6.2	4	2.75			
	GVER/L16-29-1		16	125	16	23.2	12	11.2	-	1.75			
	GVER/L16-29-2		16	125	16	23.2	12	10.2	-	2.75			
	GVER/L20-29-1		20	125	20	20.9	8	15.2	-	1.75			
	GVER/L20-29-2		20	125	20	20.9	8	14.2	-	2.75			
	GVER/L25-29-1		25	150	25	18	3	20.2	-	1.75			
	GVER/L25-29-2		25	150	25	18	3	19.2	-	2.75			

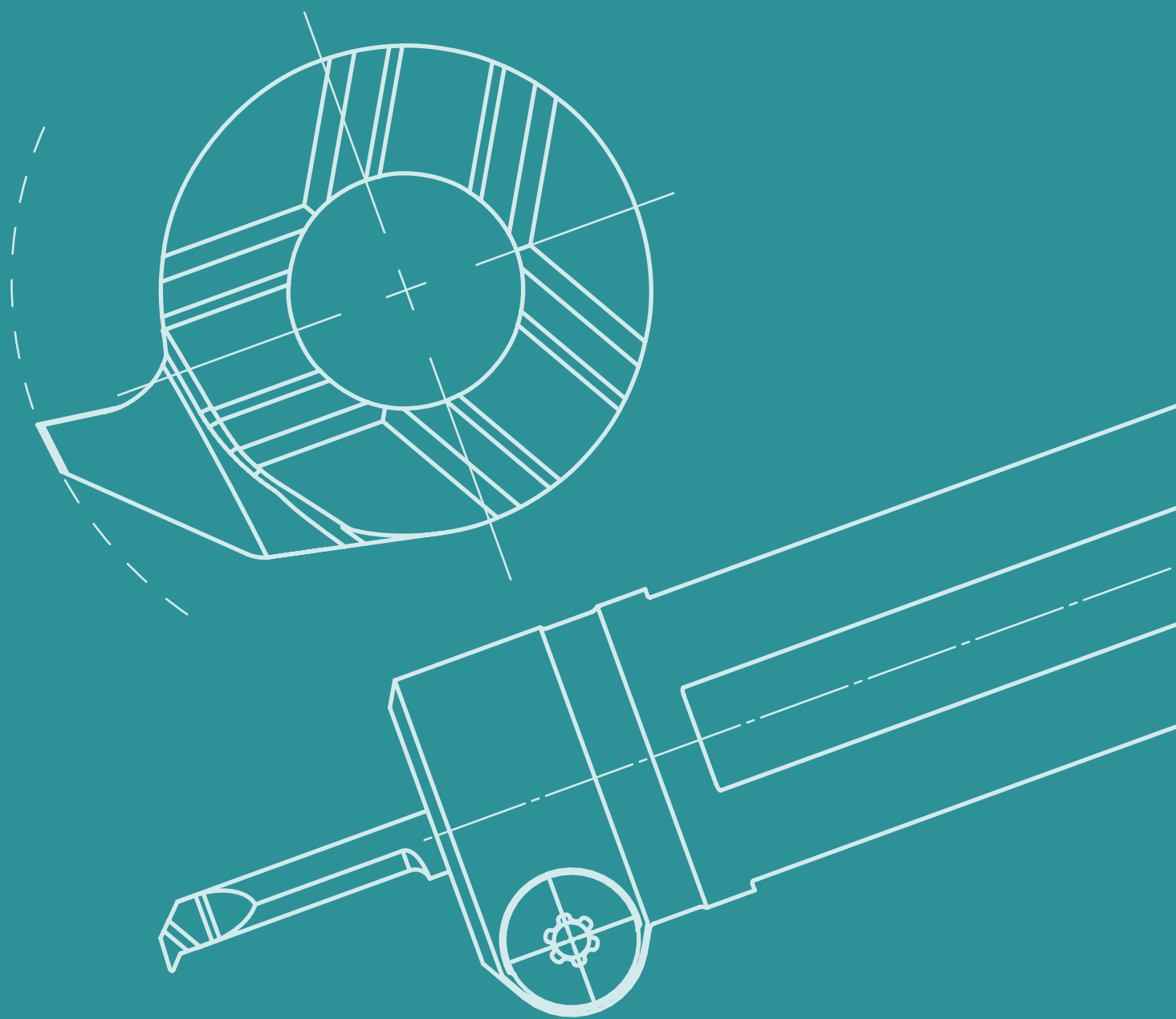
* Tightening Torque 4.5 Nm

External Toolholders 90° (GV29)



Insert Size	Ordering Code	Dimensions mm									Spare Parts		
		RH/LH	H=B	L1	H1	L2	H2	F	L3	B2	t max/D max	Insert Screw*	Torx Key
29	GVE90R/L20-29-1		20	125	20	20.2	8	28	4.8	1.75	See page 66	SGM5	L20IP
	GVE90R/L20-29-2		20	125	20	20.2	8	28	5.8	2.75			
	GVE90R/L25-29-1		25	150	25	25.2	8	33	4.8	1.75			
	GVE90R/L25-29-2		25	150	25	25.2	8	33	5.8	2.75			

* Tightening Torque 4.5 Nm



INTERNAL MACHINING

Semi Finishing VG-Cut	83
Finishing GrooVical	89
Mini-V	95
micrOscope	119



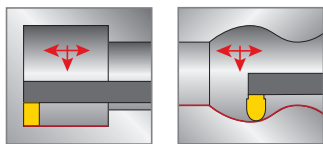
INTERNAL MACHINING | **SEMI FINISHING**

VG-Cut

Internal Grooving & Turning Applications

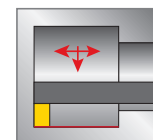
Tech Guide

Recommended Cutting Speeds Vc [m/min] for Grooving and Turning



Material Group	Vargus No.	Material	Hardness Brinell HB	Carbide Grade			
				VMG PVD M35	VPG PVD P20	VKG CVD K25	
P Steel	1	Unalloyed Steel	Low Carbon (C=0.1-0.25%)	125	100-160	120-260	120-280
	2		Medium Carbon (C=0.25-0.55%)	150	80-140	90-220	90-250
	3		High Carbon (C=0.55-0.85%)	170	80-140	90-220	90-250
	4	Low Alloy Steel (alloying elements ≤5%)	Non Hardened	180	80-140	90-220	90-250
	5		Hardened	275	50-120	60-150	60-180
	6	High Alloy Steel (alloying elements >5%)	Annealed	200	50-100	90-150	90-250
	7		Hardened	325	40-70	50-100	60-160
	8	Cast Steel	Low Alloy (alloying elements <5%)	200	50-100	90-150	90-250
	9		High Alloy (alloying elements >5%)	225	50-100	60-150	60-180
	M Stainless Steel	11	Stainless Steel Ferritic	Non Hardened	200	50-80	60-160
12		Hardened		330	40-80	50-140	
13		Stainless Steel Austenitic	Austenitic	180	50-80	60-160	
14			Super Austenitic	200	50-80	60-160	
15		Stainless Steel Cast Ferritic	Non Hardened	200	50-80	60-160	
16			Hardened	330	40-80	50-140	
17		Stainless Steel Cast Austenitic	Austenitic	200	50-80	60-160	
18			Hardened	330	40-80	50-140	
K Cast Iron	28	Malleable Cast Iron	Ferritic (short chips)	130		160-200	160-280
	29		Pearlitic (long chips)	230		140-220	140-260
	30	Grey Cast Iron	Low Tensile Strength	180		160-200	160-280
	31		High Tensile Strength	260		100-200	100-240
	32	Nodular Sg Iron	Ferritic	160		100-200	100-240
	33		Pearlitic	260		100-200	100-240
N(K) Non-Ferrous Metals	34	Aluminium Alloys Wrought	Non Aging	60	150-300		
	35		Aged	100	150-250		
	36	Aluminium Alloys Cast	Cast	75	150-300		
	37		Cast & Aged	90	150-300		
	38	Aluminium Alloys Cast Si 13-22%	130	150-250			
	39	Copper and Copper Alloys	Brass	90	150-300		
	40		Bronze And Non Leaded Copper	100	150-300		
S(M) Heat Resistant Material	19	High Temperature Alloys	Annealed (iron based)	200	25-40	30-50	
	20		Aged (iron based)	280	25-35	20-50	
	21		Annealed (nickel or cobalt based)	250	25-35	20-50	
	22		Aged (nickel or cobalt based)	350	25-35	20-50	
	23	Titanium Alloys	Pure 99.5 Ti	400Rm	25-40	30-50	
24	α+β Alloys		1050Rm	25-60	30-70		
H(K) Hardened Material	25	Extra Hard Steel	Hardened & Tempered	45-50HRc		20-40	30-50
	26			51-55HRc		15-30	25-45

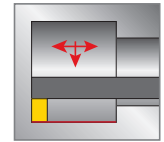
Vc [m/min] for Boring



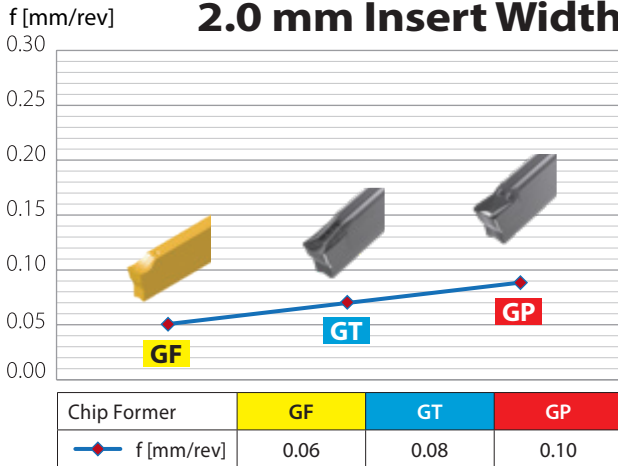
Reduce speed by ≈ 30% for improved chip forming and evacuation.

For gummy materials, such as stainless steel and heat resistant metals or in case of build up on edge (cold welding), **increase speed by ≈ 20%**.

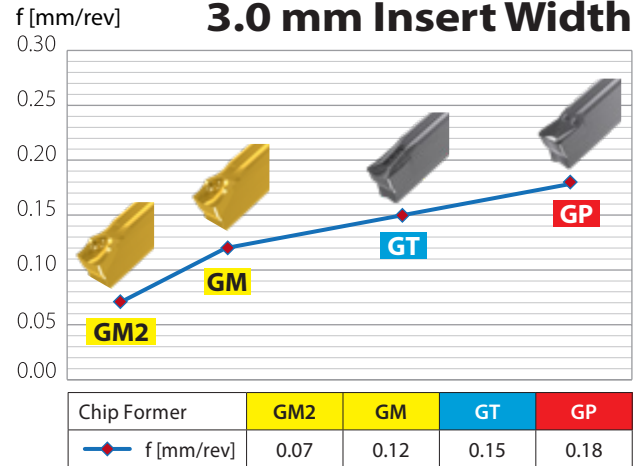
Feed Rate (f) Starting Point for Boring



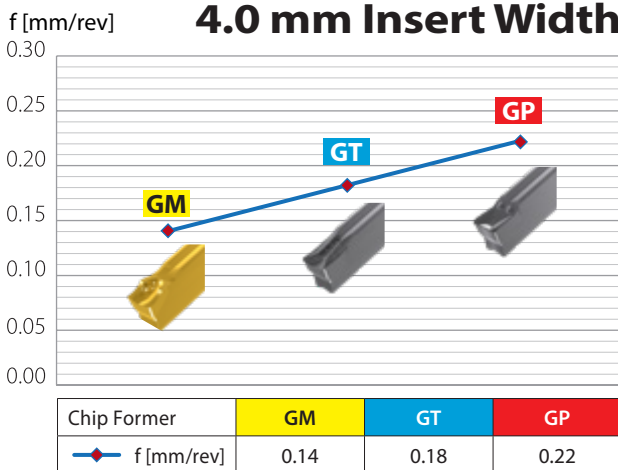
2.0 mm Insert Width



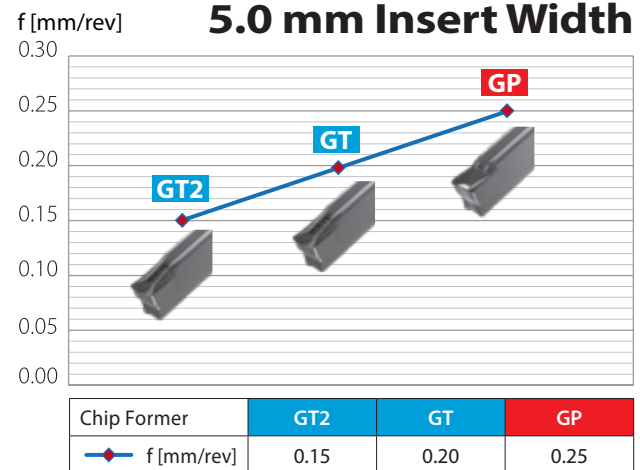
3.0 mm Insert Width



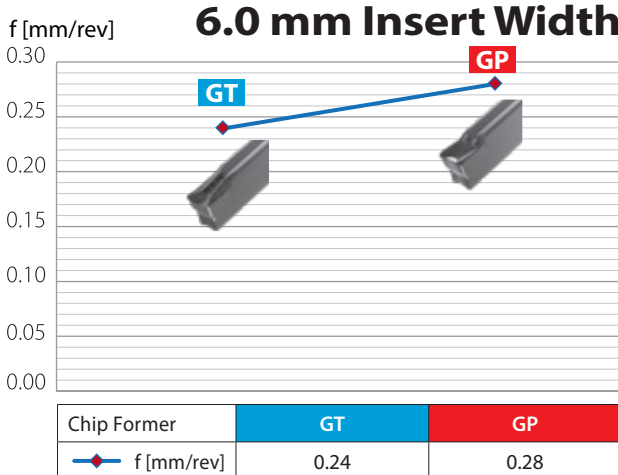
4.0 mm Insert Width



5.0 mm Insert Width



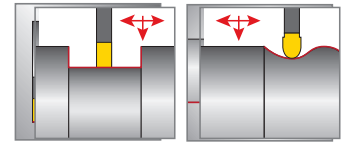
6.0 mm Insert Width



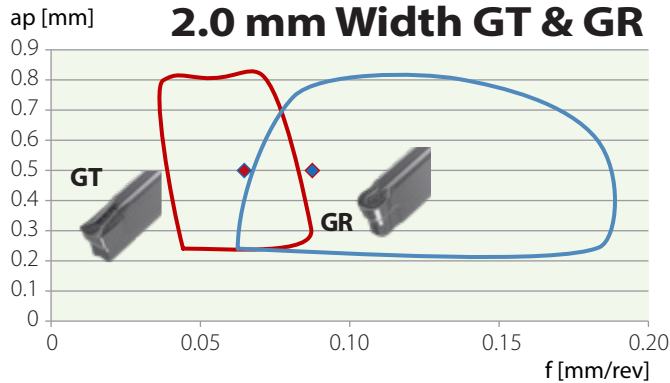
For better chip evacuation in Grooving, creating short chips is preferable. It is therefore recommended to work in short intervals (pecking), at a maximum grooving depth of twice the insert width. Taking into consideration the workpiece material and groove diameter, it is recommended to begin the first cut at no longer than the insert's width.

Reduce feed by 25% when exceeding machining depth of 3xD shank diameter.

Feed Rate (f) and Depth of Cut for Boring and Internal Profiling



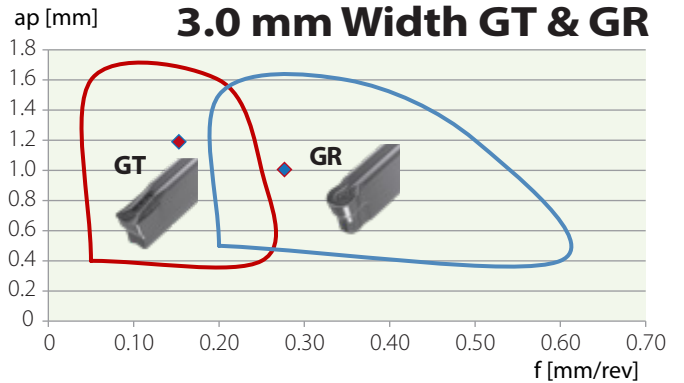
2.0 mm Width GT & GR



Recommended Starting Point:

	GT 2.0 mm	GR 2.0 mm
ap [mm]	0.5	0.5
f [mm/rev]	0.06	0.08

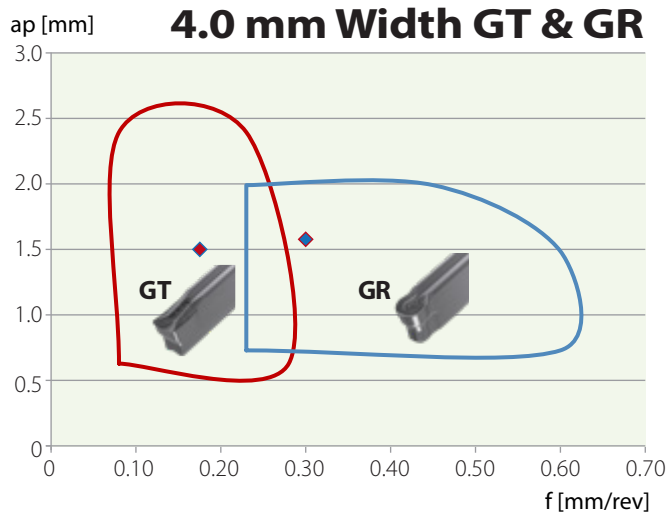
3.0 mm Width GT & GR



Recommended Starting Point:

	GT 3.0 mm	GR 3.0 mm
ap [mm]	1.20	1.00
f [mm/rev]	0.14	0.25

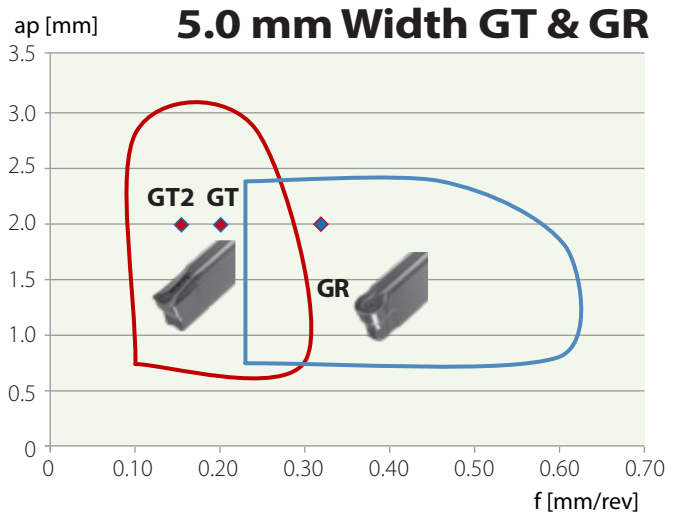
4.0 mm Width GT & GR



Recommended Starting Point:

	GT 4.0 mm	GR 4.0 mm
ap [mm]	1.50	1.60
f [mm/rev]	0.18	0.30

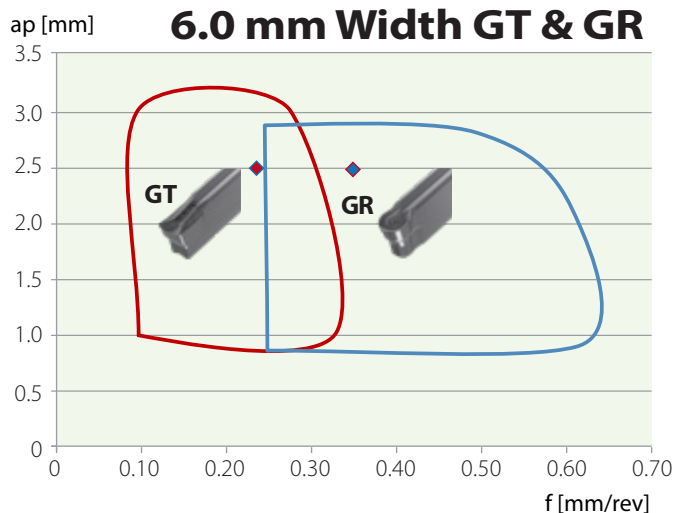
5.0 mm Width GT & GR



Recommended Starting Point:

	GT2 5.0 mm	GT 5.0 mm	GR 5.0 mm
ap [mm]	2.0	2.0	2.0
f [mm/rev]	0.15	0.20	0.32

6.0 mm Width GT & GR



Recommended Starting Point:

	GT 6.0 mm	GR 6.0 mm
ap [mm]	2.50	2.50
f [mm/rev]	0.24	0.35

VG-Cut Internal Tools

Internal VG-Cut 88



VG-Cut Tools Ordering Code

VG	I	R	20-25	3	C
1	2	3	4	5	6

1 – Tools/holders
VG - Grooving & Turning

2 – Type
I - Internal

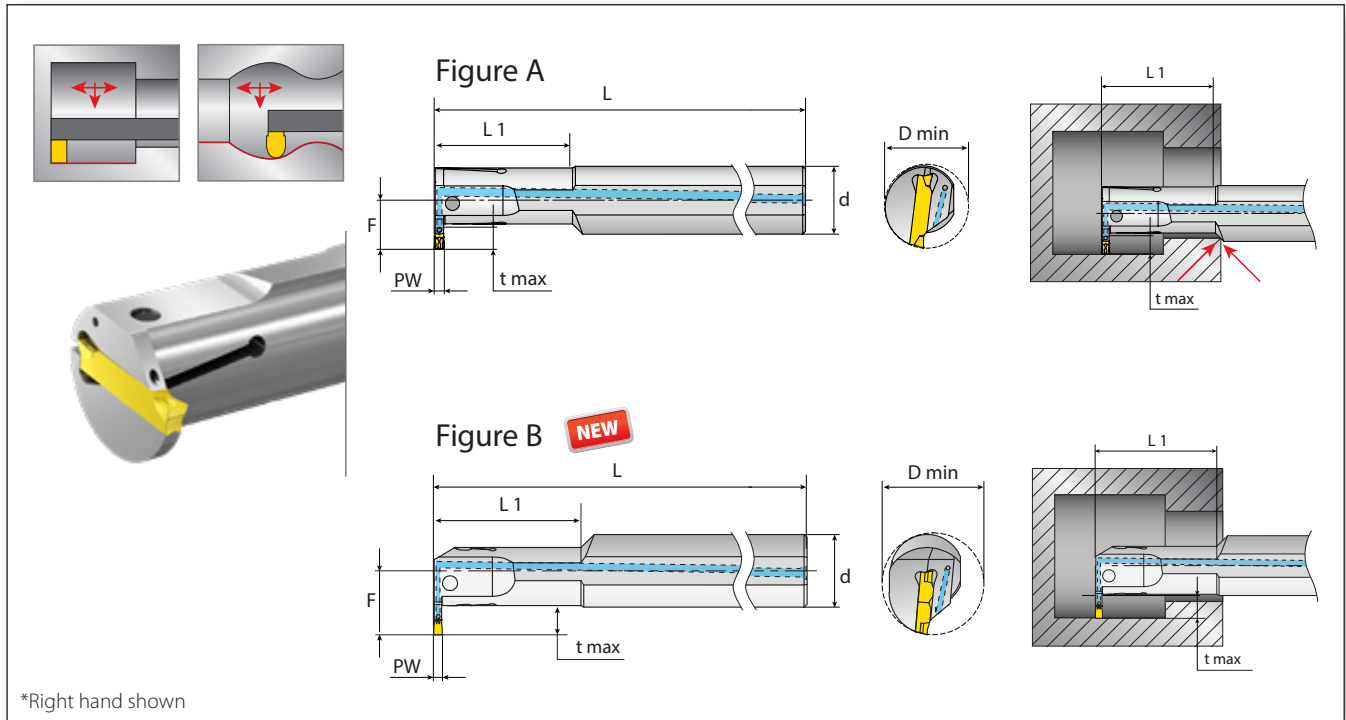
3 – RH or LH
R - RH L - LH

4 – Shank Diameter
Shank Dia. - D min. - Ex. 20-25

5 – Pocket Size
2, 3, 4, 5, 6

6 – Coolant
C - Coolant

Internal VG-Cut



*Right hand shown

Figure A

Ordering Code		Dimensions mm						Spare Parts	
RH/LH	PW	t max	L1	D min	d	F	L	Screw*	Key
VGIR/L-20-25-2C	2	7	40.5	25	20	14.5	180	SM5x12	K4H
VGIR/L-25-32-2C		9	50.5	32	25	18.0	200		
VGIR/L-20-25-3C	3	7	40.5	25	20	14.4	180	SM5x16	
VGIR/L-25-32-3C		9	50.5	32	25	18.0	200	SM5x20	
VGIR/L-32-40-3C	4	11	64.0	40	32	22.0	250	SM5x12	
VGIR/L-20-28-4C		9	41.0	28	20	16.5	180	SM5x16	
VGIR/L-25-32-4C	5	9	51.0	32	25	18.0	200	SM5x20	
VGIR/L-32-40-4C		11	64.0	40	32	22.0	250		
VGIR-32-40-5C	5	11	64.0	40	32	22.0	250		

* Tightening Torque: For 2 PW holders - 4 Nm max.; For 3-6 PW holders - 7 Nm max.

For suitable VG-Cut inserts, please see page 23.

Figure B - Dimension L1 no longer limits machining on the axial plane

NEW

Ordering Code		Dimensions mm						Spare Parts	
RH/LH	PW	t max	L1	D min	d	F	L	Screw*	Key
VGIR/L-20-24-2C	2	7.5	40.0	24	20	17.5	180	SM5x12	K4H
VGIR/L25-31-2C		9.5	50.0	31	25	22.0	200	SM5X14	
VGIR/L-20-24-3C	3	7.5	40.0	24	20	17.5	180	SM5x12	
VGIR/L-25-31-3C		9.5	50.0	31	25	22.0	200	SM5X14	
VGIR/L-32-39-3C	4	11.5	63.0	39	32	27.5	250	SM5X14	
VGIR/L-20-27-4C		9.5	41.0	27	20	19.5	180	SM5x12	
VGIR/L-25-31-4C	5	9.5	50.0	31	25	22.0	200	SM5X14	
VGIR/L-32-39-4C		11.5	63.0	39	32	27.5	250		
VGIR-32-39-5C	5	11.5	63.0	39	32	27.5	250		
VGIR-40-50-6C	6	11.5	80.0	50	40	30.5	300	SM5X20	

* Tightening Torque: For 2 PW holders - 4 Nm max.; For 3-6 PW holders - 7 Nm max.

For suitable VG-Cut inserts, please see page 23.



INTERNAL MACHINING | **FINISHING**

GrooVical

Precise Grooving & Turning Applications

Technical Guide

Recommended Grades and Cutting Data

Material Group	Vargus No.	Material	Hardness Brinell HB	Vc [m/min]	
				Coated	
				VKX	VN020
P Steel	1	Unalloyed Steel	Low Carbon (C=0.1-0.25%)	125	140-200
	2		Medium Carbon (C=0.25-0.55%)	150	120-180
	3		High Carbon (C=0.55-0.85%)	170	110-180
	4	Low Alloy Steel (alloying elements ≤5%)	Non Hardened	180	100-155
	5		Hardened	275	110-180
	6		Hardened	350	80-135
	7	High Alloy Steel (alloying elements >5%)	Annealed	200	70-115
	8		Hardened	325	50-100
	9	Cast Steel	Low Alloy (alloying elements <5%)	200	30-50
	10		High Alloy (alloying elements >5%)	225	20-40
M Stainless Steel	11	Stainless Steel Ferritic	Non Hardened	200	70-120
	12		Hardened	330	60-95
	13	Stainless Steel Austenitic	Austenitic	180	70-120
	14		Super Austenitic	200	40-90
	15	Stainless Steel Cast Ferritic	Non Hardened	200	80-110
	16	Stainless Steel Cast Austenitic	Hardened	330	65-110
	17		Austenitic	200	85-100
	18	Hardened	330	60-100	
K Cast Iron	28	Malleable Cast Iron	Ferritic (short chips)	130	70-120
	29		Pearlitic (long chips)	230	70-120
	30	Grey Cast Iron	Low Tensile Strength	180	70-120
	31		High Tensile Strength	260	60-100
	32	Nodular Sg Iron	Ferritic	160	50-80
	33		Pearlitic	260	60-90
N(k) Non-Ferrous Metals	34	Aluminium Alloys Wrought	Non Aging	60	100-240
	35		Aged	100	80-170
	36	Aluminium Alloys Cast	Cast	75	100-150
	37		Cast & Aged	90	80-120
	38	Aluminium Alloys Cast Si 13-22%	130	100-150	300-400
	39	Copper and Copper Alloys	Brass	90	80-200
	40		Bronze And Non Leaded Copper	100	80-200
S(M) Heat Resistant Material	19	High Temperature Alloys	Annealed (iron based)	200	45-60
	20		Aged (iron based)	280	35-50
	21		Annealed (nickel or cobalt based)	250	20-30
	22		Aged (nickel or cobalt based)	350	15-25
	23	Titanium Alloys	Pure 99.5 Ti	400Rm	140-170
	24		α+β Alloys	1050Rm	50-70
H(k) Hardened Material	25	Extra Hard Steel	Hardened & Tempered	45-50HRc	45-60
	26			51-55HRc	40-50

The maximum recommended **feed rate** is one-tenth of the insert width (W).

The minimum recommended **depth of cut** is twice the corner radius (r).

VTX

Excellent for Grooving applications in medium-to-high cutting speeds and in dry conditions. Multi-layered AlTiN coated, general purpose grade for prevention of peeling and chipping.

* For **VTX Grade**, increase speed by 20%.

VKX

Standard grade for Grooving applications. Single-layered AlTiN+TiN coated.

VN020

NEW

Uncoated grade specially designed for Aluminum and Copper alloys. The high positive rake geometry and the sharp cutting edge of these inserts produce low forces while machining.

Recommended Feed Rate for Grooving & Turning Finishing Operations

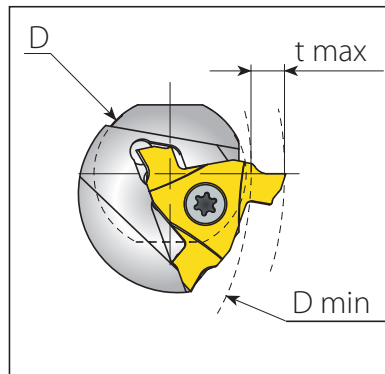
Insert Width (mm)	High Alloy Steel, 330 HB, 2100 Kc [N/mm ²]		Austenitic Stainless Steel, 200 HB, 2600 Kc [N/mm ²]	
	Depth ap = Insert Width x variable	Average f mm/rev	Depth ap = Insert Width x variable	Average f mm/rev
0.4 mm - 0.9 mm	0.55	0.04	0.35	0.02
1.0 mm - 1.5 mm	0.55	0.07	0.35	0.04
1.6 mm - 2.0 mm	0.60	0.11	0.40	0.07
2.1 mm - 2.5 mm	0.60	0.14	0.40	0.09
2.6 mm - 3.0 mm	0.60	0.17	0.40	0.11
3.1 mm - 4.0 mm	0.60	0.21	0.40	0.14
4.1 mm - 5.5 mm	0.60	0.28	0.40	0.19

- | The above recommendations are for achieving a stable and recurring tool life.
- | Exceeding higher feed rates may cause excessive wear and breakage.

D max Limitations

GV29 / GVN29 Internal - Depth of Groove in Relation to Bore Dia.

Dimensions mm	
t max	D min
0.5	41.8
1	42.3
1.5	42.8
2	43.5
2.5	44.2
3	45.1
3.5	46.1
4.0	47.2
4.5	48.3
5.0	49.9
5.5	54.2
6.0	73.5
6.5	104.5



GrooVical Holders

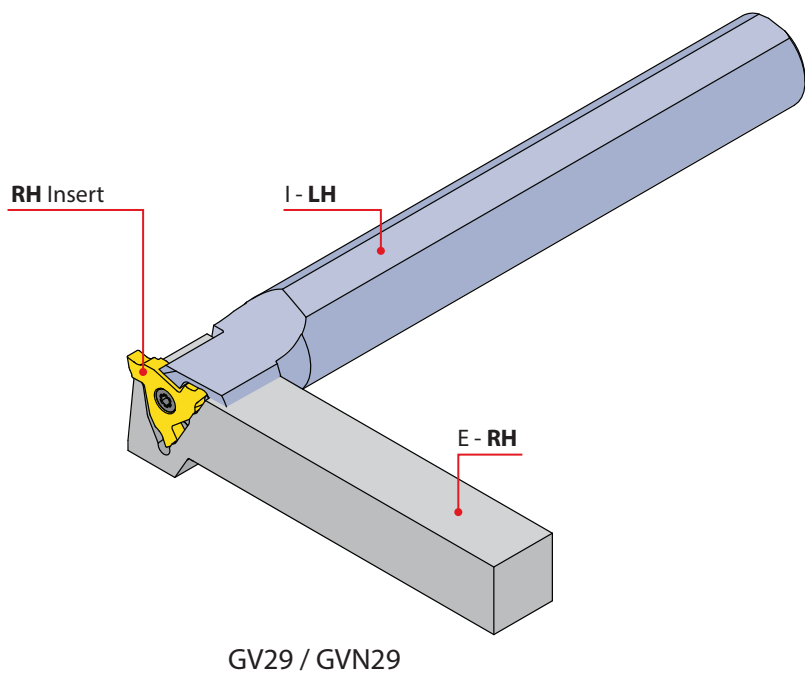
Close to Shoulder Internal Toolholders 93
 Internal Toolholders (GV29) 93

GrooVical Holders Ordering Code

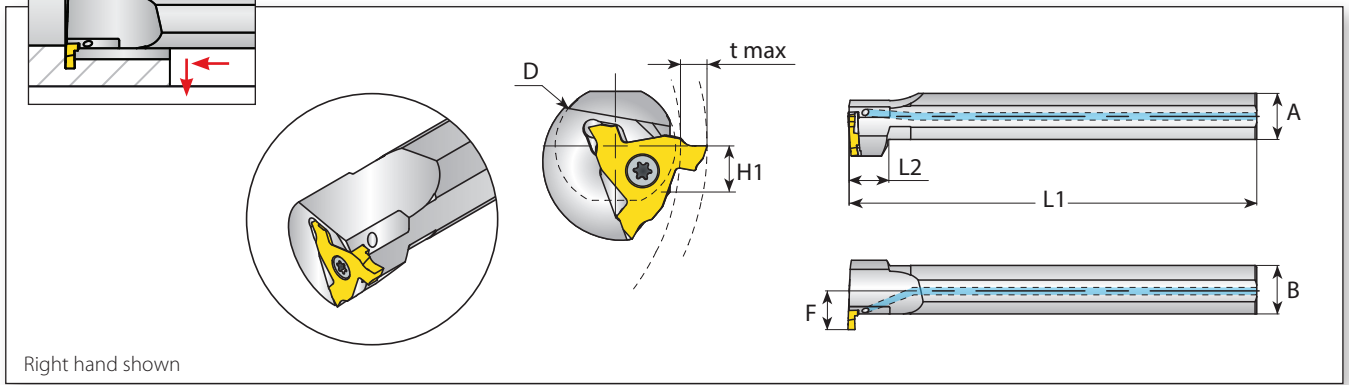
GVN	I	R	25	-	29
1	2	3	4		5

1 - Insert Type GVN - Groovical Close to Shoulder GV - Groovical Neutral	2 - Type I - Internal	3 - RH or LH R - RH L - LH	4 - Shank Size 25, 32 mm	5 - Insert Size 29
---	---------------------------------	---	------------------------------------	------------------------------

I For **LH Internal** work applications use **LH toolholder** with **RH insert** and vice versa.



Close to Shoulder Internal Toolholders with Coolant

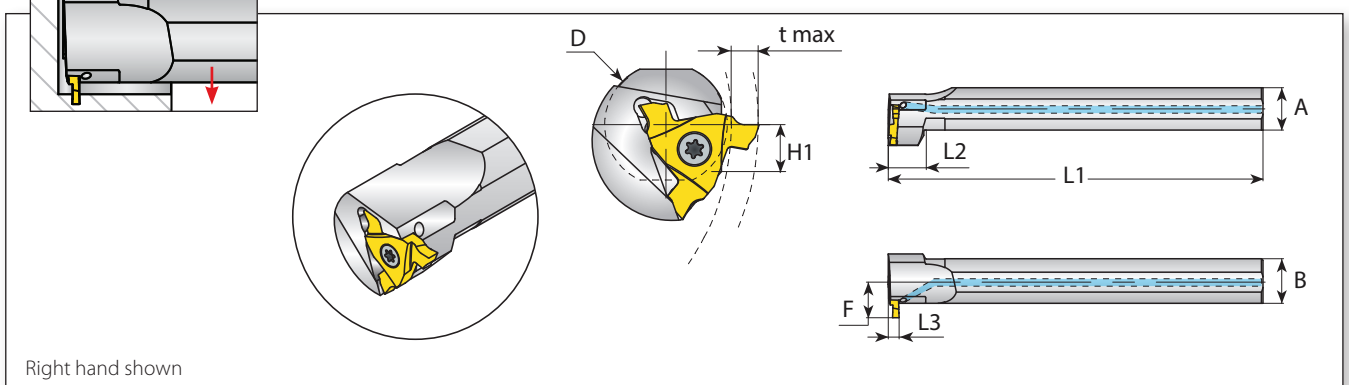


Insert Size	Ordering Code	Dimensions mm								Spare Parts		
		RH/LH	D	L1	L2	A	B	H1	F	t max/D max	Insert Screw*	Torx Key
29	GVNIR/L25-29		25	200	19	22.6	23.8	11.3	19.0	See page 69	SGM5	L20IP
	GVNIR/L32-29		32	250	19	29.0	30.5	14.5	22.2			

For suitable GVN29 inserts, please see pages 46-50.

* Tightening Torque 4.5 Nm.

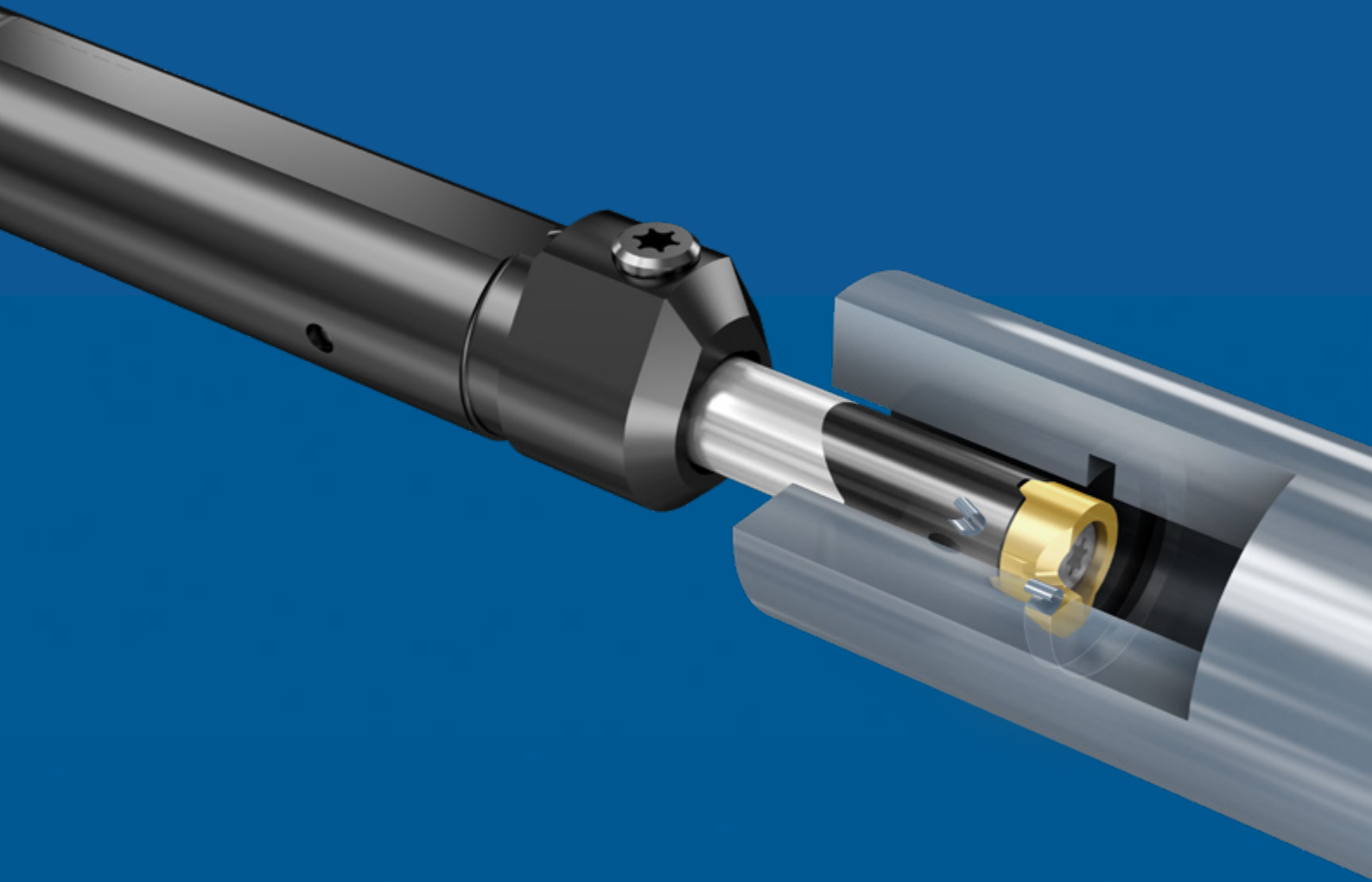
Internal Toolholders (GV29) with Coolant



Insert Size	Ordering Code	Dimensions mm									Spare Parts		
		RH/LH	D	L1	L2	L3	A	B	H1	F	t max/D max	Insert Screw*	Torx Key
29	GVR25-29		25	200	19	5.8	22.6	23.8	11.3	19.0	See page 69	SGM5	L20IP
	GVR32-29		32	250	19	5.8	29.0	30.5	14.5	22.2			

For suitable GV29 inserts, please see page 51.

* Tightening Torque 4.5 Nm.



INTERNAL MACHINING | **FINISHING**

Mini-V

Precise Turning, Grooving,
Threading & Face Grooving

Mini-V

Mini Tools for Small & Medium Bores

The Mini-V line by **Groovex** offers improved solutions for mini boring, grooving and threading in bores starting from 7.8 mm.



Mini-VE Sizes 08 & 11

NEW

New Geometry for Inserts and Holders for Improved Performance and Better Chip Evacuation

Features and Benefits:

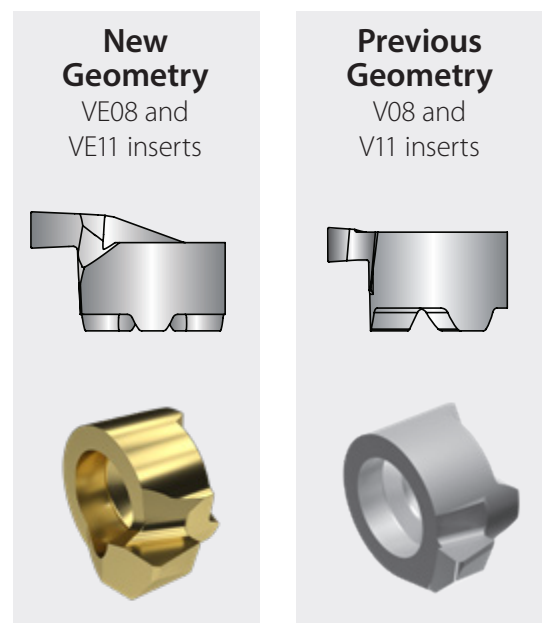
- Better chip evacuation
- Improved performance
- Available for boring, grooving, and threading inserts
- New Mini-VE 08 & 11 left-hand inserts available as standard
- New Mini-VE tools feature two flat areas for versatile mounting of the tool
- Mini-VE VE08 & VE11 inserts can be mounted on both VE & V tools
- RH and LH inserts can be mounted on the same tool

Ordering Code:

- New Mini-VE inserts and holders are marked with "E"
Insert example: VE08020BCR VTX
Holder example: CVE08-1221

Availability:

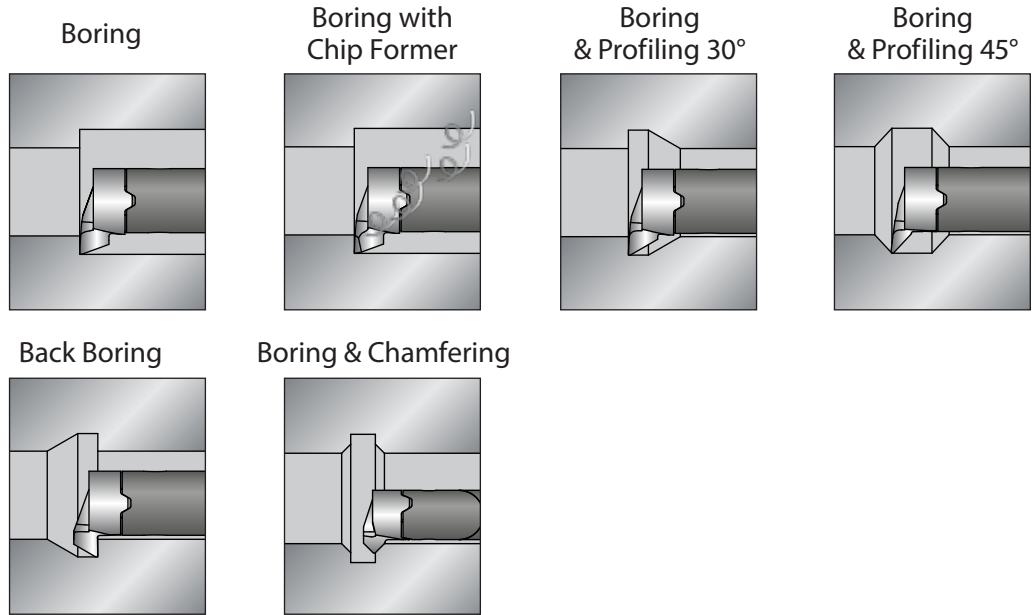
- New inserts and tools will be available in Q2 2021 and will be supplied on a FIFO basis
- Mini V inserts and tools available while supplies last



Applications

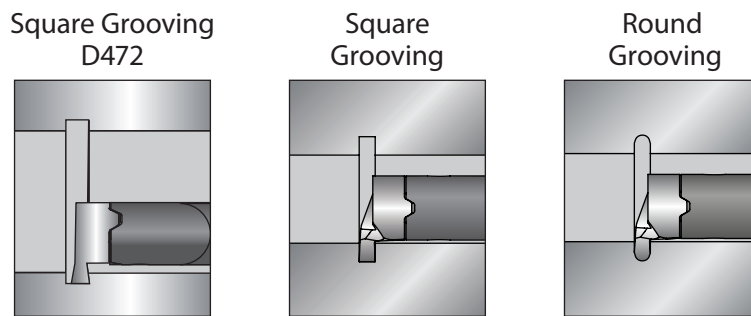
BORING

Pages 83 - 85



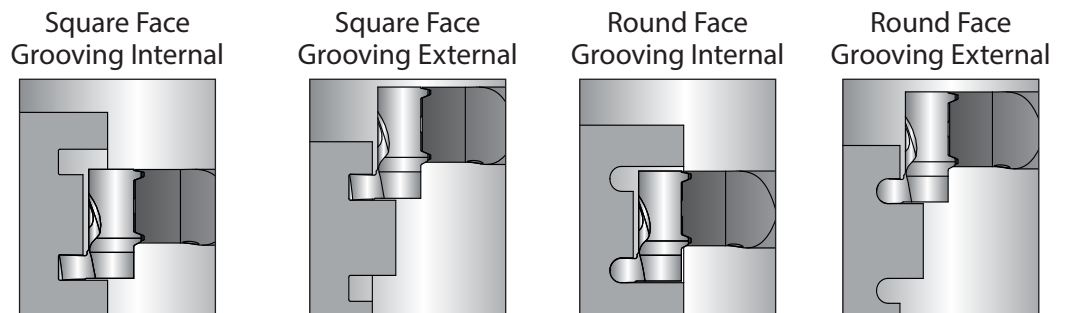
GROOVING

Pages 86 - 89



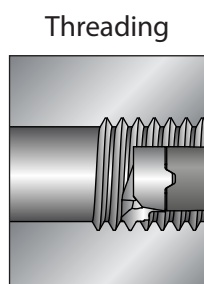
FACE GROOVING

Pages 90 - 91



THREADING

Pages 92 - 94



Mini-V Technical Data

Recommended Grades, Cutting Speeds Vc [m/min], Feed f [mm/rev] and Max. Depth [mm]

Material Group	Vargus No.	Material		Hardness Brinell HB	VBX		Max Depth on R [mm]
					Vc [m/min]		
					Threading	Grooving	Boring
P Steel	1	Unalloyed steel	Low carbon (C=,1-.25%)	125	40-80	40-180	0.30-0.50
	2		Medium carbon (C=.25-.55%)	150	40-80	40-170	0.30-0.50
	3		High Carbon (C=.55-.85%)	170	40-80	40-160	0.25-0.35
	4	Low alloy steel (alloying elements≤5%)	Non hardened	180	40-80	40-155	0.28-0.45
	5		Hardened	275	40-80	40-160	0.25-0.45
	6		Hardened	350	40-80	40-150	0.25-0.40
	7	High alloy steel (alloying elements>5%)	Annealed	200	40-60	40-115	0.20-0.30
	8		Hardened	325	40-60	40-100	0.18-0.30
	9	Cast steel	Low alloy (alloying elements <5%)	200	40-60	40-170	0.20-0.30
	10		High alloy (alloying elements >5%)	225	40-60	40-130	0.17-0.30
M Stainless Steel	11	Stainless steel Ferritic	Non hardened	200	40-60	40-180	0.22-0.34
	12		Hardened	330	40-60	40-180	0.21-0.32
	13	Stainless steel Austenitic	Austenitic	180	40-60	40-140	0.25-0.40
	14		Super Austenitic	200	40-60	40-140	0.17-0.26
	15	Stainless steel Cast Ferritic	Non hardened	200	40-60	40-140	0.25-0.37
	16		Hardened	330	40-60	40-140	0.17-0.26
	17	Stainless steel Cast austenitic	Austenitic	200	40-60	40-120	0.20-0.30
	18		Hardened	330	40-60	40-120	0.17-0.26
K Cast Iron	28	Malleable Cast iron	Ferritic (short chips)	130	40-80	40-120	0.25-0.37
	29		Pearlitic (long chips)	230	40-80	40-100	0.20-0.30
	30	Grey cast iron	Low tensile strength	180	40-80	40-100	0.22-0.34
	31		High tensile strength	260	40-80	40-100	0.20-0.30
	32	Nodular SG iron	Ferritic	160	40-80	40-100	0.15-0.25
	33		Pearlitic	260	40-80	40-90	0.20-0.30
N(K) Non-Ferrous Metals	34	Aluminium alloys Wrought	Non aging	60	40-120	40-400	0.60-1.00
	35		Aged	100	40-120	40-400	0.50-0.90
	36	Aluminium alloys	Cast	75	40-120	40-400	0.50-0.90
	37		Cast & aged	90	40-120	40-200	0.40-0.60
	38	Aluminium alloys	Cast Si 13-22%	130	40-120	40-200	0.50-0.90
	39	Copper and Copper alloys	Brass	90	40-120	40-200	0.60-1.00
	40		Bronze and non leaded copper	100	40-120	40-200	0.50-0.90
	S(M) Heat Resistant Material	19	High temperature alloys	Annealed (Iron based)	200	20-30	20-30
20		Aged (Iron based)		280	20-30	20-30	0.10-0.20
21		Annealed (Nickel or Cobalt based)		250	15-20	15-20	0.08-0.20
22		Aged (Nickel or Cobalt based)		350	10-15	10-15	0.08-0.20
23		Titanium alloys	Pure 99.5 Ti	400Rm	40-60	40-60	0.10-0.20
24			α+β alloys	1050Rm	20-30	20-30	0.10-0.20

VTX

Excellent for Boring applications in medium-to-high cutting speeds and in dry conditions.

Multi-layered AlTiN PVD coated, general purpose grade for prevention of peeling and chipping.

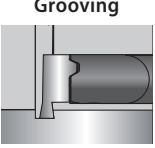
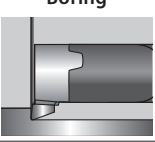
* For **VTX Grade**, increase speed by 20%.

VBX

Excellent for all applications and outstanding wear resistance in low-to-medium cutting speeds, combined with good fracture toughness.

TiCN PVD coated.

Feed Rate f [mm/rev]

 <p>Grooving</p>	0.02 - 0.05 mm/rev
 <p>Boring</p>	0.03 - 0.15 mm/rev

Threading

Depths of Cut and Number of Passes

1. High pressure coolant is recommended
2. Infeed method - modified flank infeed 1°

Option of modified volume chip

		Pitch mm	0.5	0.75	1	1.25	1.5	1.75	2	2.5	3	3.5	4			
		Pitch TPI	48	32	27	24	20	19	18	16	14	12	10	8	7	6
Insert Style	Standard	Passes (modified volume)														
V08	ISO															
	UN	13	19		25	16			19	22						
	W															
	NPT															
	NPTF			28					43							
V11	ISO															
	UN	13	19		25	16			19	22	24					
	W															
	BSPT							19								
V14	ISO															
	UN	7	10		13	16			19	22	24	32	38			
	W															
V16	ISO															
	UN	7	10		13	16			19	22	24	32	38			
	W															

Option of constant depth chip

		Pitch mm	0.5	0.75	1	1.25	1.5	1.75	2	2.5	3	3.5	4			
		Pitch TPI	48	32	27	24	20	19	18	16	14	12	10	8	7	6
Insert Style	Standard	Passes (same)														
V08	ISO															
	UN	11-24	17-35		23-48	18-28			21-34	25-40						
	W															
	NPT															
	NPTF			25-53					40-83							
V11	TR										50-104	70-145				
	ISO															
	UN	11-24	17-35		23-48	14-28			17-34	20-40	23-46					
	W															
V14	BSPT							21-34								
	TR															90-187
	ISO															
V16	UN	11-24	17-35		23-48	14-28			9-15	11-18	11-18	12-21	18-24			
	W															
	ISO															

Number of passes can be decreased when high pressure coolant is used.

Mini-V Inserts

Boring.....	101	Square Grooving - 0.05 mm Corner Radius.....	105
Boring with Chip Former.....	101	Square Grooving.....	106
Boring & Profiling 30°.....	102	Round Grooving - DIN 7993.....	107
Boring & Profiling 45°.....	102	Square Face Grooving.....	108
Back Boring.....	103	Round Face Grooving.....	109
Boring & Chamfering.....	103	Threading.....	110
Grooving DIN 472 - Sharp Corner Radius.....	104		

Mini-V Inserts Ordering Code System

Boring Inserts

V	08	CL		R	VBX
1	2	3	4	5	6

1- Line Name
VE - Mini-V Improved Geometry Inserts (sizes 08 & 11) V - Mini-V Inserts (sizes 14 & 16)

2 - Insert Size
08, 11, 14, 16

3 - Type of Application
BC - Boring BCF - Boring with Chip Former CL - Boring & Profiling BB - Back Boring CH45 - Boring & Profiling 45°

4 - Copy Angle
None - Profiling 20° 3 - Profiling 30° CL+ None - Profiling 45°

5 - RH or LH	6 - Carbide Grade
R - RH L - LH	VTX VBX

Grooving Inserts

V	08	GS	W120	T 100	R	VBX
1	2	3	4	5	6	7

1- Line Name
VE - Mini-V Improved Geometry Inserts (sizes 08 & 11) V - Mini-V Inserts (sizes 14 & 16)

2 - Insert Size
08, 11, 14, 16

3 - Type of Application
D472 - Square Grooving Sharp Corner Radius GS - Square Grooving 0.05 mm Corner Radius GSR - Square Grooving D7993 - Round Grooving D7993 FGW - Square Face Grooving Internal FGR - Round Face Grooving Internal FEGW - Square Face Grooving External FEGR - Round Face Grooving External

4 - Groove Width
W070 - 0.7 mm W080 - 0.8 mm W090 - 0.9 mm W100 - 1.0 mm W110 - 1.1 mm W120 - 1.2 mm W130 - 1.3 mm W150 - 1.5 mm W160 - 1.6 mm W180 - 1.8 mm W200 - 2.0 mm W250 - 2.5 mm W300 - 3.0 mm W350 - 3.5 mm W400 - 4.0 mm

5 - Groove Depth	6 - RH or LH	7 - Carbide Grade
T100 - 1.0 mm T230 - 2.3 mm T400 - 4.0 mm T430 - 4.3 mm	R - RH L - LH	VTX VBX

Threading Inserts

V	08	TH	.5	ISO	R	VBX
1	2	3	4	5	6	7

1- Line Name
VE - Mini-V Improved Geometry Inserts (sizes 08 & 11) V - Mini-V Inserts (sizes 14 & 16)

2 - Insert Size
08, 11, 14, 16

3 - Type of Application
TH - Threading

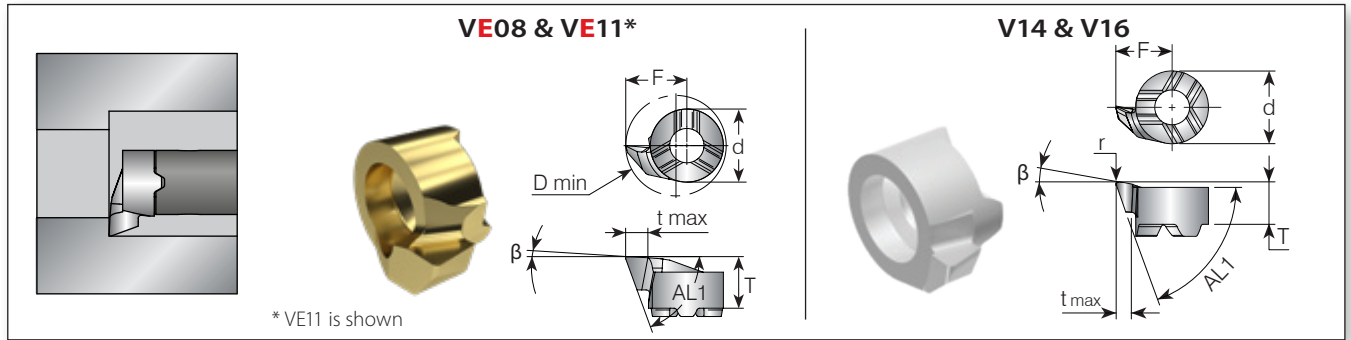
4 - Pitch (for Threading)			
Full Profile - Pitch Range			
TPI	mm		
32-12	0.5-2.0		
Partial Profile - Pitch Range			
	TPI		mm
H	48-32	H	0.5-.75
I	24-20	I	1.0-1.25
J	16-14	J	1.5-1.75
G	14-8	G	1.75-3.0
AG	48-8	AG	0.5-3.0

5 - Threading Standard
60° - Partial Profile 60° 55° - Partial Profile 55° ISO - ISO Metric UN - American UN W - Whitworth for BSW, BSP BSPT - British Standard Pipe Thread NPT - NPT National Pipe Thread NPTF - NPTF National Seal Pipe Thread TR - Trapez Din 103

6 - RH or LH
R - RH L - LH

7 - Carbide Grade
VBX VTX

Boring



VE08 & VE11 | Mini-VE

Insert Style	Ordering Code	Dimensions mm							Min. Bore Dia. mm	Grade	
		RH/LH	r	d	T	t max	AL1	β			F
VE08	VE08020BCR/L		0.2	6.0	4.45	1.3	70°	8°	4.65	7.8	•
VE11	VE11020BCR/L		0.2	8.0	5.65	2.3	70°	3°	6.7	11.0	•

• In stock ◦ Available upon request

V14 & V16

Insert Style	Ordering Code	Dimensions mm							Min. Bore Dia. mm	Grades		
		RH	r	d	T	t max	AL1	β		F	VBX	VTX
V14	V14BC R		0.2	9	5.6	4.0	69.8°	8°	8.7	13.8	•	•
V16	V16BC R		0.2	11	5.6	4.3	69.8°	5.5°	9.7	15.5	•	•

• In stock ◦ Available upon request

Boring with Chip Former



VE08 & VE11 | Mini-VE

Insert Style	Ordering Code	Dimensions mm							Min. Bore Dia. mm	Grade	
		RH/LH	r	d	T	t max	AL1	β			F
VE08	VE08020BCFR/L		0.2	6.0	4.45	1.3	70°	8°	4.65	7.8	•
VE11	VE11020BCFR/L		0.2	8.0	5.65	2.3	70°	3°	6.7	11.0	•

• In stock ◦ Available upon request

Boring & Profiling 30°

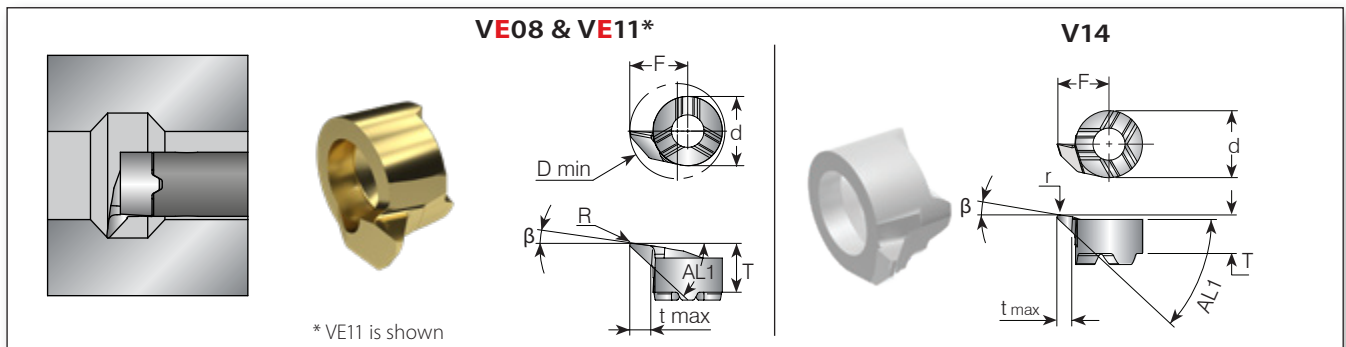


VE08 & VE11 | Mini-VE

Insert Style	Ordering Code	Dimensions mm							Min. Bore Dia. mm	Grade	
		RH/LH	r	d	T	t max	AL1	β			F
VE08	VE08020P30R/L		0.2	6.0	4.45	1.3	58°	8°	4.65	7.8	•
VE11	VE11020P30R/L		0.2	8.0	5.65	2.3	58°	3°	6.70	11.0	•

- In stock
- Available upon request

Boring & Profiling 45°



VE08 & VE11 | Mini-VE

Insert Style	Ordering Code	Dimensions mm							Min. Bore Dia. mm	Grade	
		RH/LH	r	d	T	t max	AL1	β			F
VE08	VE08020P47R/L		0.2	6.0	4.45	1.3	43°	5.5°	4.65	7.8	•
VE11	VE11020P47R/L		0.2	8.0	5.65	2.3	43°	7°	6.70	11.0	•

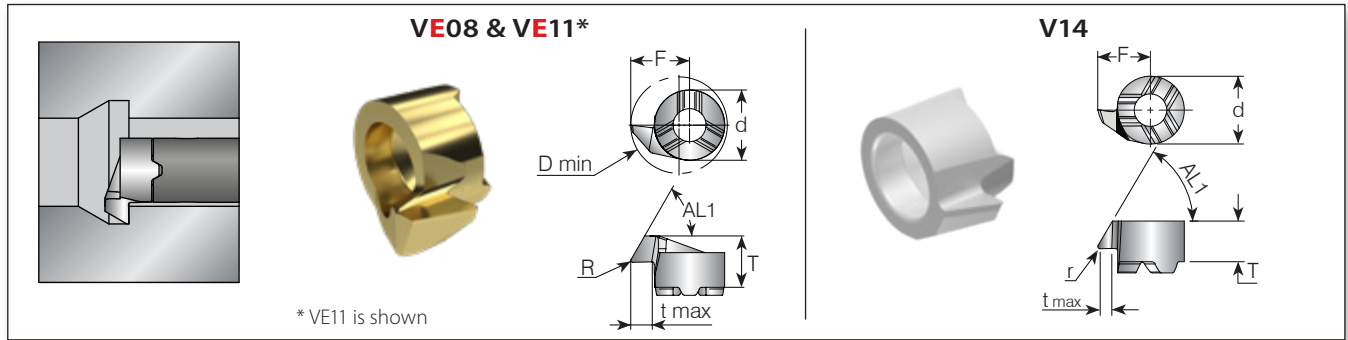
- In stock
- Available upon request

V14

Insert Style	Ordering Code	Dimensions mm							Min. Bore Dia. mm	Grades		
		RH	r	d	T	t max	AL1	β		F	VBX	VTX
V14	V14CLR		0.2	9	5.6	4.0	43°	6°	8.7	13.7	•	•

- In stock
- Available upon request

Back Boring



* VE11 is shown

VE08 & VE11 | Mini-VE

Insert Style	Ordering Code	Dimensions mm								Min. Bore Dia. mm	Grade
		RH/LH	r	d	T	t max	AL1	β	F		
VE08	VE08020BBR/L		0.2	6	4.6	1.2	60°	4.65	4.65	7.8	•
VE11	VE11020BBR/L		0.2	8	5.85	2.2	60°	6.7	6.70	11.0	•

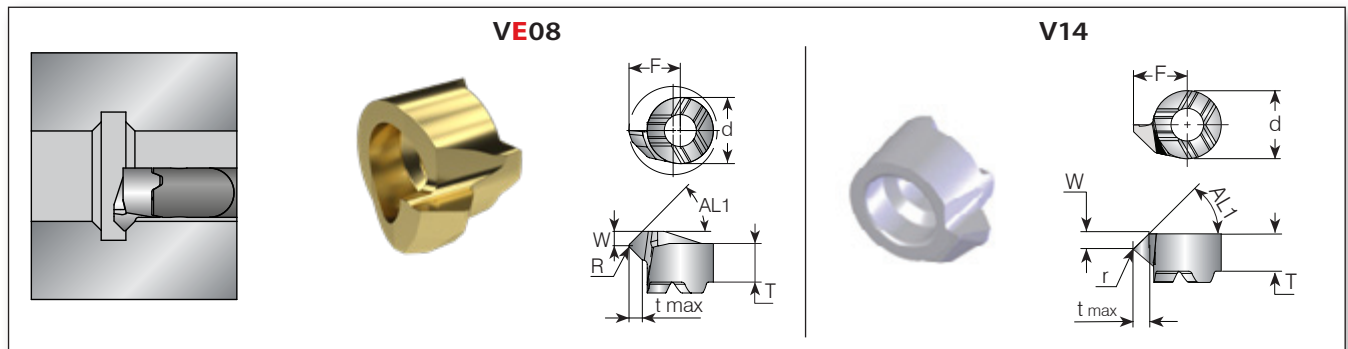
| • In stock ◦ Available upon request

V14

Insert Style	Ordering Code	Dimensions mm							Min. Bore Dia. mm	Grades	
		RH	r	d	T	t max	AL1	F		VBX	VTX
V14	V14BB R		0.2	9	5.6	3.5	59.5°	8.70	13.8	•	•

| • In stock ◦ Available upon request

Boring & Chamfering 45°



VE08 | Mini-VE

Insert Style	Ordering Code	Dimensions mm								Min. Bore Dia. mm	Grade
		RH/LH	r	d	$W^{+0.03}$	T	t max	AL1	F		
VE08	VE08020CH45R/L		0.2	6	1.3	4.6	1.2	45°	4.65	7.8	•

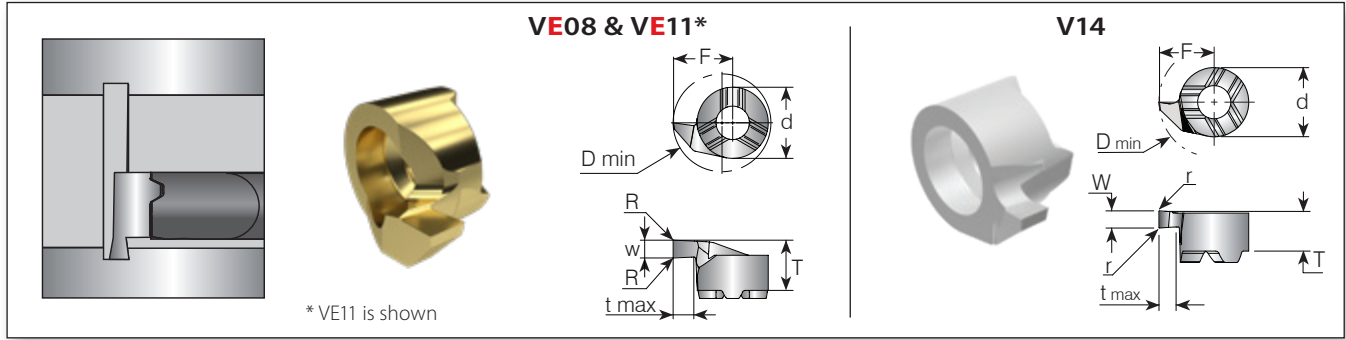
| • In stock ◦ Available upon request

V14

Insert Style	Ordering Code	Dimensions mm							Min. Bore Dia. mm	Grades		
		RH	r	d	$W^{+0.03}$	T	t max	AL1		F	VBX	VTX
V14	V14CH45 R		0.2	9	2.7	5.6	2.6	45°	9	14.0	•	•

| • In stock ◦ Available upon request

Grooving DIN 472 - Sharp Corner Radius



VE08 & VE11 | Mini-VE

Insert Style	Ordering Code	Width of Circlip		Dimensions mm					Min. Bore Dia.	Grade
		mm	W ^{+0.03}	d	t max	T	F	r		
VE08	VE0800GSW070T100R/L	0.7	0.73	6	1.0	4.4	4.8	0	8	○
	VE0800GSW080T100R/L	0.8	0.83							●
	VE0800GSW090T100R/L	0.9	0.93							○
	VE0800GSW110T100R/L	1.1	1.20							○
	VE0800GSW130T100R/L	1.3	1.40							○
	VE0800GSW160T100R/L	1.6	1.70							○
VE11	VE1100GSW070T120R/L	0.7	0.73	8	1.2	5.7	6.7	0	11	○
	VE1100GSW080T130R/L	0.8	0.83		1.3					●
	VE1100GSW090T150R/L	0.9	0.93		1.5					○
	VE1100GSW110T220R/L	1.1	1.20		2.2					○
	VE1100GSW130T220R/L	1.3	1.40		2.2					○
	VE1100GSW160T220R/L	1.6	1.70		2.2					○

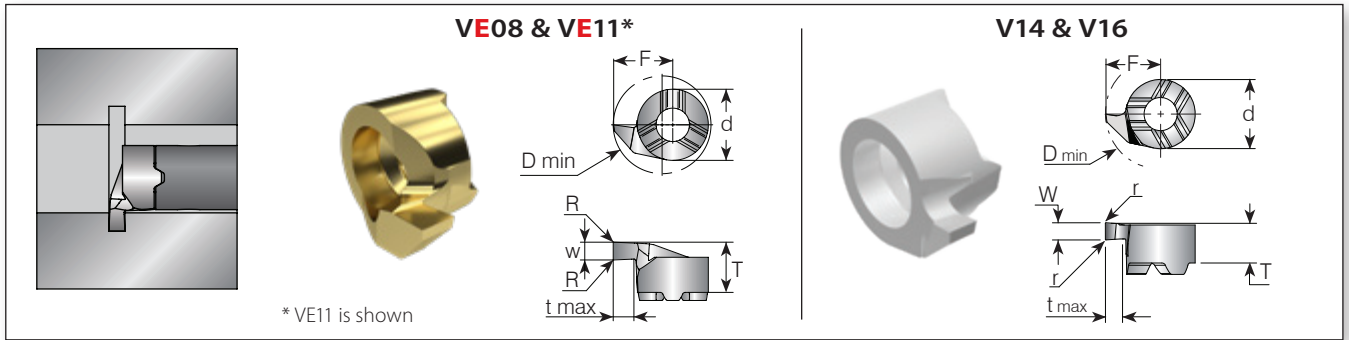
● In stock ○ Available upon request

V14

Insert Style	Ordering Code	Width of Circlip		Dimensions mm					Min. Bore Dia.	Grades	
		mm	W ^{+0.03}	d	t max	T	F	r		D min	VBX
V14	V14D472 W130T400 R	1.3	1.40	9	4.3	5.6	9	0	14	●	●
	V14D472 W160T400 R	1.6	1.70							●	●

● In stock ○ Available upon request

Square Grooving - 0.05 mm Corner Radius



VE08 & VE11 | Mini-VE

Insert Style	Ordering Code	Dimensions mm						Min. Bore Dia.	Grade	
		RH/LH	d	W ^{+0.03}	t max	T	F			r
VE08	VE08005GS W078T100R/L		6	0.78	1.0	4.4	4.8	0.05	8	○
	VE08005GS W086T100R/L		6	0.86	1.0	4.4	4.8	0.05	8	○
	VE08005GS W100T100R/L		6	1.00	1.0	4.4	4.8	0.05	8	●
	VE08005GS W117T100R/L		6	1.17	1.0	4.4	4.8	0.05	8	○
	VE08005GS W150T100R/L		6	1.50	1.0	4.4	4.8	0.05	8	●
	VE08005GS W157T100R/L		6	1.57	1.0	4.4	4.8	0.05	8	○
	VE08005GS W198T100R/L		6	1.98	1.0	4.4	4.8	0.05	8	○
	VE08005GS W200T100R/L		6	2.00	1.0	4.4	4.8	0.05	8	●
VE11	VE11005GS W100T230R/L		8	1	2.3	5.7	6.7	0.05	11	●
	VE11005GS W117T230R/L		8	1.17	2.3	5.7	6.7	0.05	11	○
	VE11005GS W120T230R/L		8	1.2	2.3	5.7	6.7	0.05	11	○
	VE11005GS W142T230R/L		8	1.42	2.3	5.7	6.7	0.05	11	○
	VE11005GS W150T230R/L		8	1.5	2.3	5.7	6.7	0.05	11	●
	VE11005GS W157T230R/L		8	1.57	2.3	5.7	6.7	0.05	11	○
	VE11005GS W198T230R/L		8	1.98	2.3	5.7	6.7	0.05	11	○
	VE11005GS W200T230R/L		8	2	2.3	5.7	6.7	0.05	11	●
	VE11005GS W238T230R/L		8	2.38	2.3	5.7	6.7	0.05	11	○
	VE11005GS W250T230R/L		8	2.5	2.3	5.7	6.7	0.05	11	○
VE11005GS W318T230R/L		8	3.18	2.3	5.7	6.7	0.05	11	○	

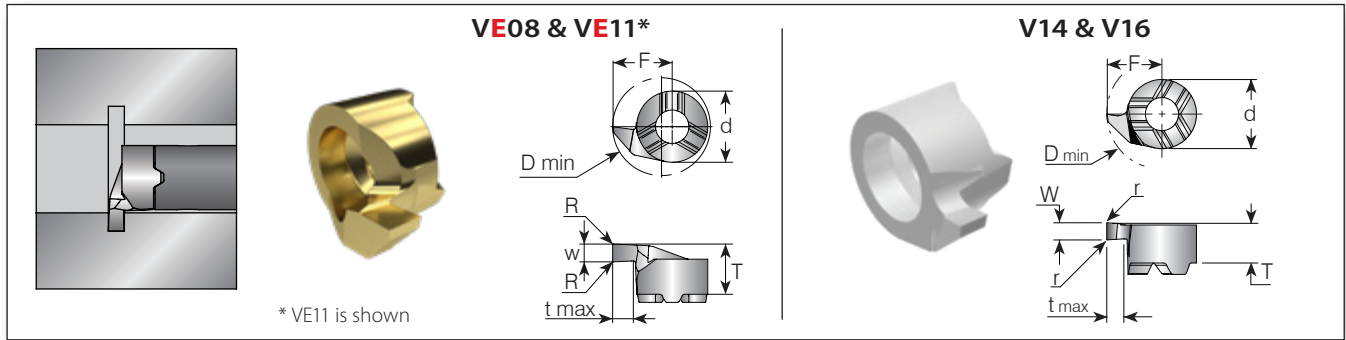
● In stock ○ Available upon request

V14 & V16

Insert Style	Ordering Code	Dimensions mm						Min. Bore Dia.	Grades		
		RH	d	W ^{+0.03}	t max	T	F		r	VBX	VTX
V14	V14GS W117T400 R		9	1.17	4.0	5.6	9.0	0.05	14	●	●
	V14GS W150T400 R		9	1.50	4.0	5.6	9.0	0.05	14	●	●
	V14GS W157T400 R		9	1.57	4.0	5.6	9.0	0.05	14	●	●
	V14GS W198T400 R		9	1.98	4.0	5.6	9.0	0.05	14	●	●
	V14GS W200T400 R		9	2.00	4.0	5.6	9.0	0.05	14	●	●
	V14GS W238T400 R		9	2.38	4.0	5.6	9.0	0.05	14	●	●
	V14GS W250T400 R		9	2.50	4.0	5.6	9.0	0.05	14	●	●
	V14GS W300T400 R		9	3.00	4.0	5.6	9.0	0.05	14	●	●
	V14GS W318T400 R		9	3.18	4.0	5.6	9.0	0.05	14	●	●
V16	V16GS W117T430 R		11	1.17	4.3	5.6	10.2	0.05	16	●	●
	V16GS W142T430 R		11	1.42	4.3	5.6	10.2	0.05	16	●	●
	V16GS W157T430 R		11	1.57	4.3	5.6	10.2	0.05	16	●	●
	V16GS W198T430 R		11	1.98	4.3	5.6	10.2	0.05	16	●	●
	V16GS W200T430 R		11	2.00	4.3	5.6	10.2	0.05	16	●	●
	V16GS W238T430 R		11	2.38	4.3	5.6	10.2	0.05	16	●	●
	V16GS W300T430 R		11	3.00	4.3	5.6	10.2	0.05	16	●	●
	V16GS W318T430 R		11	3.18	4.3	5.6	10.2	0.05	16	●	●
	V16GS W350T430 R		11	3.50	4.3	5.6	10.2	0.05	16	●	●
V16GS W400T430 R		11	4.00	4.3	5.6	10.2	0.05	16	●	●	

● In stock ○ Available upon request

Square Grooving



VE08 & VE11 | Mini-VE

Insert Style	Ordering Code	Dimensions mm						Min. Bore Dia.	Grade
RH/LH		d	W ^{+0.03}	t max	T	F	r	D min	VTX
VE08	VE08020GS W150T100R/L	6	1.50	1.00	4.4	4.8	0.20	8	•
	VE08064GS W186T146R/L		1.86	1.46			0.64		○
	VE08020GS W198T100R/L		1.98	1.00			0.20		○
VE11	VE11020GS W070T180R/L	8	0.70	1.80	5.7	6.7	0.20	11	○
	VE11020GS W117T230R/L		1.17	2.30			0.20		○
	VE11020GS W200T230R/L		2.00	2.30			0.20		○

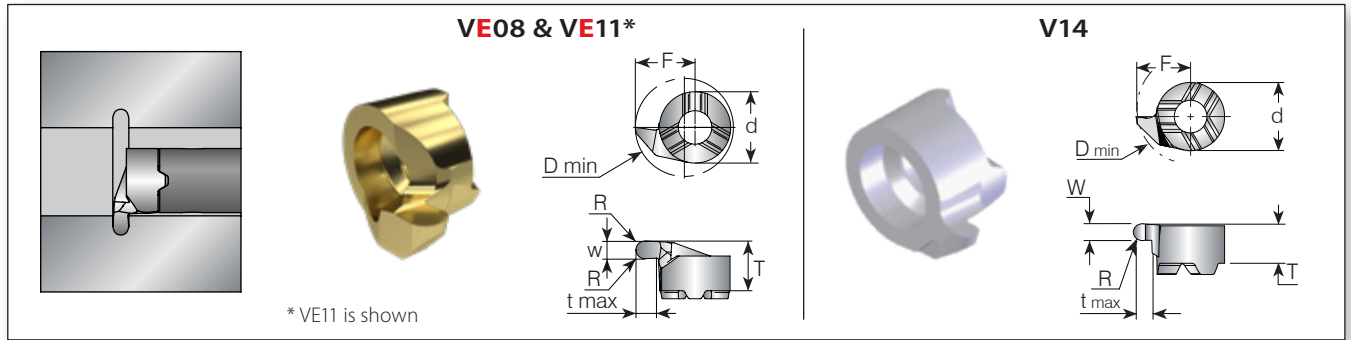
• In stock ○ Available upon request

V14 & V16

Insert Style	Ordering Code	Dimensions mm						Min. Bore Dia.	Grades	
RH		d	W ^{+0.03}	t max	T	F	r	D min	VBX	VTX
V14	V14GSR W078T400 R	9	0.78	4.0	5.6	9.0	0.2	14	•	•
	V14GSR W117T400 R		1.17						•	•
	V14GSR W150T400 R		1.50						•	•
	V14GSR W157T400 R		1.57						•	•
	V14GSR W198T400 R		1.98						•	•
	V14GSR W200T400 R		2.00						•	•
	V14GSR W238T400 R		2.38						•	•
	V14GSR W318T400 R		3.18						•	•
V16	V16GSR W117T430 R	11	1.17	4.3	5.6	10.2	0.2	16	•	•
	V16GSR W157T430 R		1.57						•	•
	V16GSR W198T430 R		1.98						•	•
	V16GSR W238T430 R		2.38						•	•
	V16GSR W318T430 R		3.18						•	•

• In stock ○ Available upon request

Round Grooving - DIN 7993



VE08 & VE11 | Mini-VE

Insert Style	Ordering Code	Dimensions mm						Min. Bore Dia.	Grade	
		RH/LH	d	W ^{+0.03}	t max	T	F			r
VE08	VE08040GR W080T100R/L			0.800				0.400	8	•
	VE08060GR W120T100R/L			1.200				0.600		○
	VE08080GR W160T100R/L		6	1.600	1.0	4.4	4.8	0.800		○
	VE08090GR W180T100R/L			1.800				0.900		○
	VE08100GR W200T100R/L			2.000				1.000		•
VE11	VE11028GR W057T200R/L			0.577	2.0			0.287	11	○
	VE11030GR W060T170R/L			0.600	1.7			0.300		○
	VE11040GR W080T230R/L			0.800	2.3			0.400		•
	VE11060GR W120T230R/L		8	1.200	2.3	5.7	6.7	0.600		○
	VE11078GR W157T230R/L			1.570	2.3			0.785		○
	VE11100GR W200T230R/L			2.000	2.3			1.000		•
	VE11120GR W240T230R/L			2.400	2.3			1.200		○

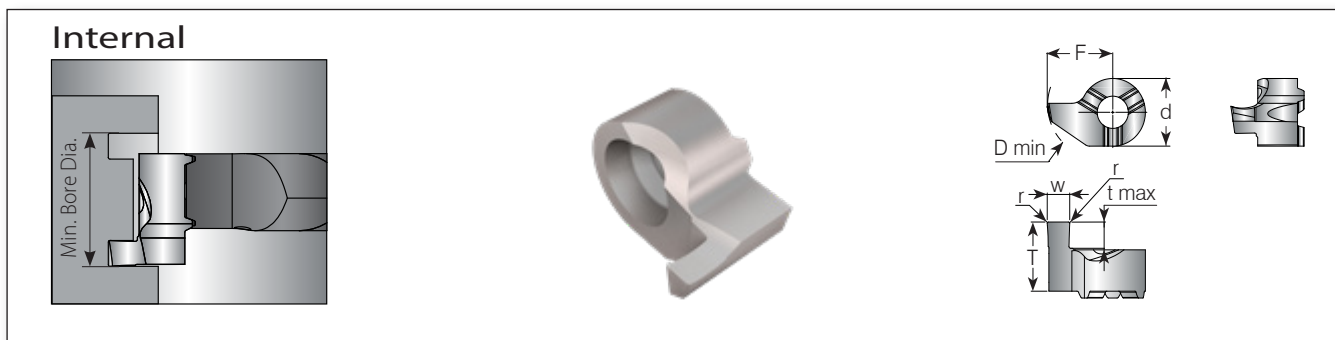
• In stock ○ Available upon request

V14

Insert Style	Ordering Code	Dimensions mm						Min. Bore Dia.	Grades		
		RH	d	W ^{+0.03}	t max	T	F		r	D min	VBX
V14	V14D7993 W120T400 R			1.20				0.6	14	•	•
	V14D7993 W157T400 R			1.57				0.785		•	•
	V14D7993 W180T400 R			1.80				0.9		•	•
	V14D7993 W200T400 R			2.00				1.0		•	•
	V14D7993 W220T400 R		9	2.20	4.0	5.6	9.0	1.1		•	•
	V14D7993 W238T400 R			2.38				1.19		•	•
	V14D7993 W300T400 R			3.00				1.5		•	•
	V14D7993 W318T400 R			3.18				1.59		•	•

• In stock ○ Available upon request

Square Face Grooving



V14

Insert Style	Ordering Code	Dimensions mm						Min. Bore Dia.	Grades	
		d	W ^{+0.03}	t max	T	F	r		VBX	VTX
V14	RH	9	1.00	1.5	7.7	9	0.2	14	•	○
	V14FGW100T150 R									
	V14FGW150T250 R									
	V14FGW200T300 R									
	V14FGW200T500 R									
	V14FGW250T300 R									
	V14FGW250T500 R									
V14FGW300T300 R										

• In stock ○ Available upon request

Square Face Grooving

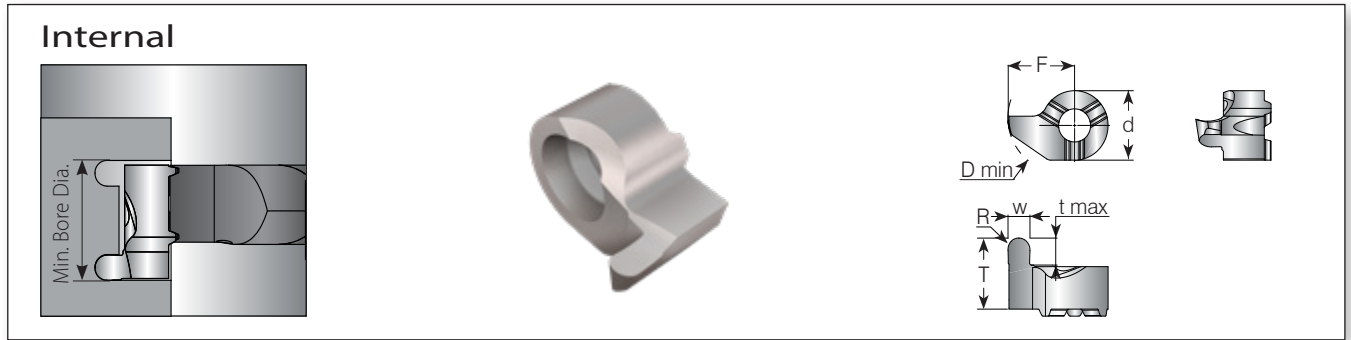


V14

Insert Style	Ordering Code	Dimensions mm						Min. Bore Dia.	Grades	
		d	W ^{+0.03}	t max	T	F	r		VBX	VTX
V14	RH	9	1.00	1.5	7.3	9	0.2	12	•	○
	V14FEGW100T150 R									
	V14FEGW150T250 R									
	V14FEGW200T300 R									
	V14FEGW200T500 R									
	V14FEGW250T300 R									
	V14FEGW250T500 R									
V14FEGW300T300 R										

• In stock ○ Available upon request

Round Face Grooving

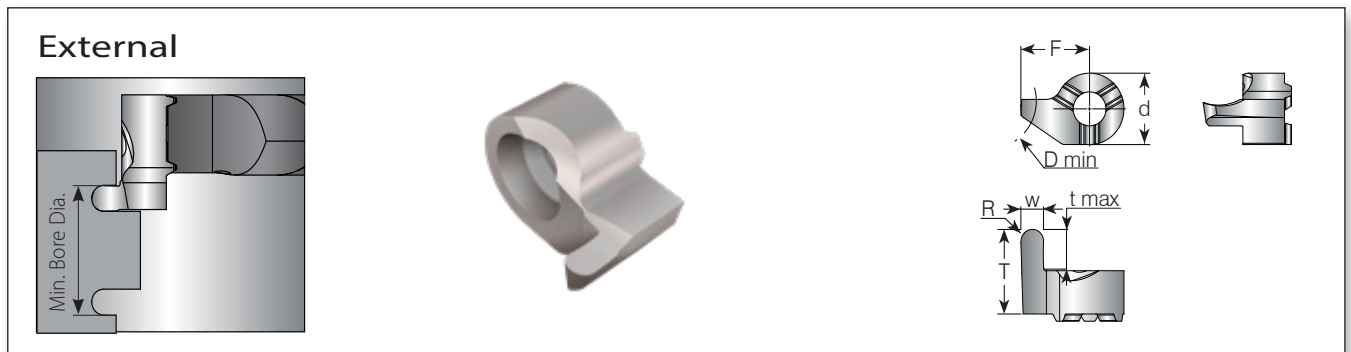


V14

Insert Style	Ordering Code	Dimensions mm						Min. Bore Dia.	Grades	
		d	W ^{+0.03}	t max	T	F	r		VBX	VTX
V14	V14FGR050T150 R	9	1.00	1.5	7.7	9	0.5	14	•	◦
	V14FGR100T300 R		2.00	3	9.2		1.0		•	◦
	V14FGR150T300 R		3.00	3	9.2		1.5		•	◦

• In stock ◦ Available upon request

Round Face Grooving

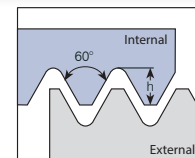
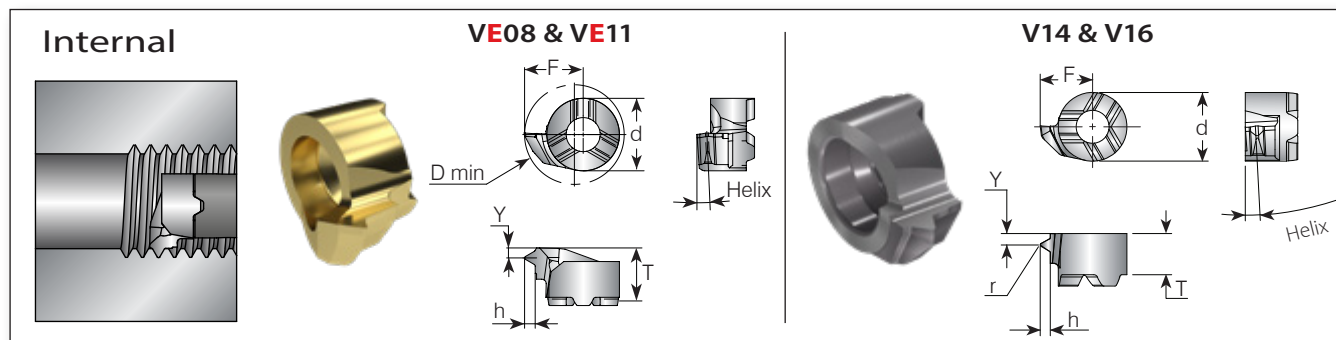


V14

Insert Style	Ordering Code	Dimensions mm						Min. Bore Dia.	Grades	
		d	W ^{+0.03}	t max	T	F	r		VBX	VTX
V14	V14FEGR100T500 R	9	2.00	5	10.7	9	1.00	12	•	◦
	V14FEGR125T500 R		2.50				1.25		•	◦

• In stock ◦ Available upon request

Threading



Partial Profile 60° | Mini-VE

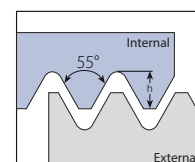
Insert Style	Pitch		Ordering Code	Dimensions mm						Helix		Grade	
	TPI	mm		RH/LH	d	T	F	Y	r	h max	Deg.	VTX	
VE08	48-32	0.5-0.75	VE08TH H60R/L	6	4.6	4.20	0.5	0.025	0.49	1.5	o		
	24-20	1.0-1.25	VE08TH I60R/L			4.46	0.8	0.095	0.74	2.5	o		
	16-14	1.5-1.75	VE08TH J60R/L			4.76	0.9	0.137	1.04	3	o		
VE11	48-32	0.5-0.75	VE11TH H60R/L	8	5.8	5.80	0.5	0.025	0.49	1.5	o		
	24-20	1.0-1.25	VE11TH I60R/L			6.06	0.8	0.095	0.74	1.5	o		
	16-14	1.5-1.75	VE11TH J60R/L			5.61	0.9	0.137	1.04	3	o		

• In stock ◦ Available upon request

Partial Profile 60° - V14 & V16

Insert Style	Pitch		Ordering Code	Dimensions mm						Helix		Grades	
	TPI	mm		RH	d	T	F	Y	r	h max	Deg.	VBX	VTX
V14	48-16	0.5-1.5	V14TH A60 R	9	5.7	9	0.9	0.05	1.485	1.5	•	•	
	14-8	1.75-3.0	V14TH G60 R				1.7	0.16	2.350		•	•	
	48-8	0.5-3.0	V14TH AG60 R				1.7	0.05	2.350		•	•	
V16	48-16	0.5-1.5	V16TH A60 R	11	5.7	10.2	0.9	0.05	1.485	1.5	•	•	
	14-8	1.75-3.0	V16TH G60 R				1.7	0.16	2.835		•	•	
	48-8	0.5-3.0	V16TH AG60 R				1.7	0.05	2.835		•	•	

• In stock ◦ Available upon request

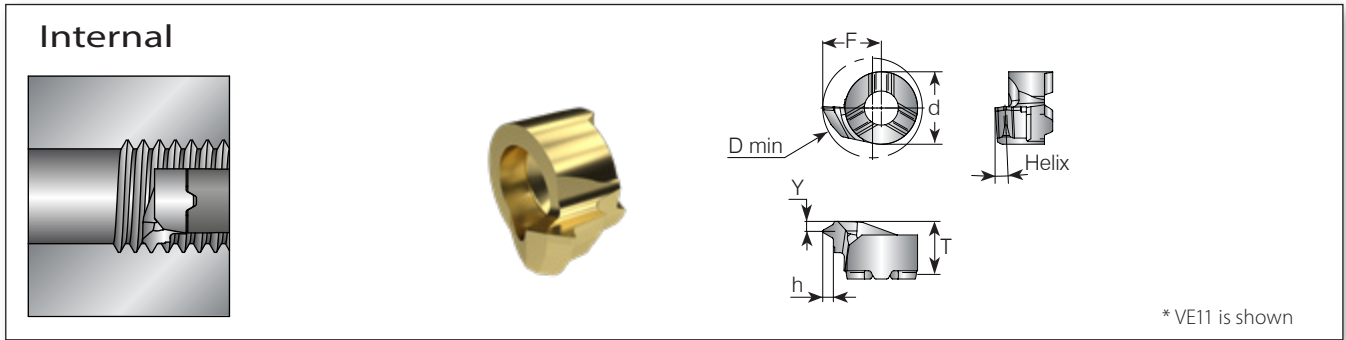


Partial Profile 55°

Insert Style	Pitch		Ordering Code	Dimensions mm						Helix		Grades	
	TPI	mm		RH	d	T	F	Y	r	h max	Deg.	VBX	VTX
V14	48-16	0.5-1.5	V14TH A55 R	9	5.7	9	0.9	0.05	1.71	1.5	•	•	
	14-8	1.75-3.0	V14TH G55 R				1.7	0.21	2.700		•	•	
	48-8	0.5-3.0	V14TH AG55 R				1.7	0.07	2.700		•	•	
V16	48-16	0.5-1.5	V16TH A55 R	11	5.7	10.2	0.9	0.07	1.71	1.5	•	•	
	14-8	1.75-3.0	V16TH G55 R				1.7	0.25	3.236		•	•	
	48-8	0.5-3.0	V16TH AG55 R				1.7	0.07	3.236		•	•	

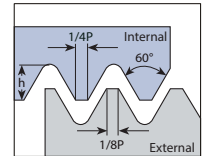
• In stock ◦ Available upon request

Threading



ISO Metric | Mini-VE

Defined by: R262 (DIN 13)
Tolerance class: 6g/6H

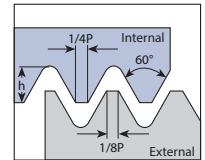


Min Thread	Insert Style	Ordering Code	Dimensions mm					Helix	Grade		
			mm	RH/LH	d	T	F			Y	h min
M8x.5	VE08	VE08TH .50ISOR/L	0.50		6	4.6	3.86	0.35	0.29	1.0	o
M8.5x.75		VE08TH .75ISOR/L	0.75				4.19	0.50	0.43	1.5	o
M9x1.0		VE08TH 1.00ISOR/L	1.00				4.29	0.50	0.58	2.0	o
M10x1.25		VE08TH 1.25ISOR/L	1.25				4.44	0.80	0.72	2.5	o
M10x1.5		VE08TH 1.50ISOR/L	1.50				4.58	0.90	0.87	3.0	o
M12x1.75		VE08TH 1.75ISOR/L	1.75				4.80	0.90	1.01	3.0	o
M14x2.0	VE11	VE11TH 2.00ISOR/L	2.00		8	5.85	6.47	1.10	1.15	2.5	o

• In stock ◦ Available upon request

American UN | Mini-VE

Defined by: ANSI B1.1:74
Tolerance class: 2A/2B

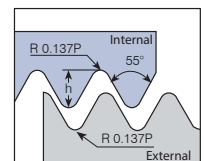


Min Thread	Insert Style	Ordering Code	Dimensions mm					Helix	Grade		
			TPI	RH/LH	d	T	F			Y	h min
3/8"-32UNEF	VE08	VE08TH 32UNR/L	32		6	4.6	4.21	0.50	0.46	1.5	o
3/8"-28UN		VE08TH 28UNR/L	28				4.28	0.50	0.52	2	o
3/8"-24UNF		VE08TH 24UNR/L	24				4.32	0.65	0.61	2	o
3/8"-20UN		VE08TH 20UNR/L	20				4.45	0.80	0.73	2.5	o
3/8"-18UNS		VE08TH 18UNR/L	18				4.53	0.85	0.81	2.5	o
3/8"-16UNC		VE08TH 16UNR/L	16				4.33	0.95	0.92	2.5	o
7/16"-14UNC		VE08TH 14UNR/L	14				4.78	1.10	1.05	3	o
9/16"-12UNC	VE11	VE11TH 12UNR/L	12		8	5.85	6.44	1.24	1.22	2.5	o

• In stock ◦ Available upon request

Whitworth - BSW, BSP, BSF, BSB | Mini-VE

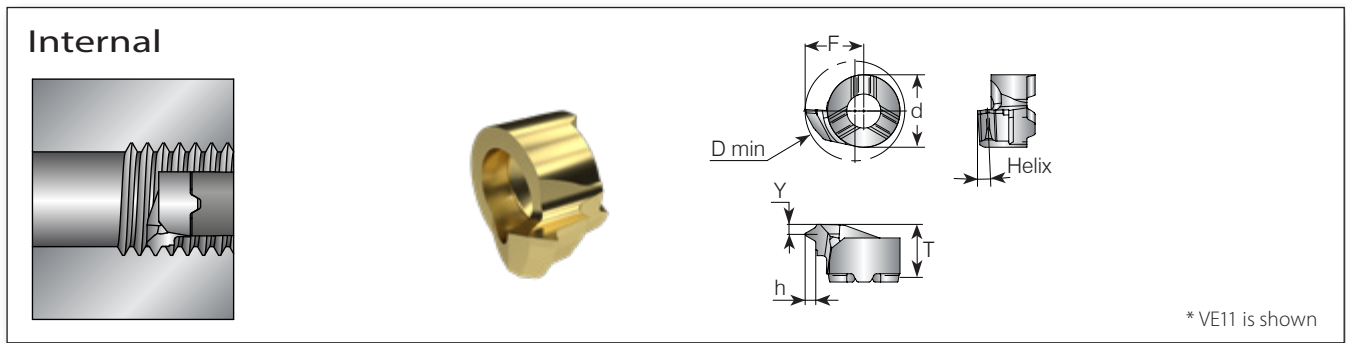
Defined by: B.S.84:1956, DIN 259,
ISO228/1:1982
Tolerance class: Medium Class A



Min Thread	Insert Style	Ordering Code	Dimensions mm					Helix	Grade		
			TPI	RH/LH	d	T	F			Y	h min
1/2"x19W	VE11	VE11TH 19WR/L	19		8	5.85	6.18	0.85	0.86	2	o

• In stock ◦ Available upon request

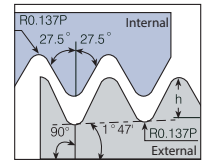
Threading



* VE11 is shown

BSPT | Mini-VE - New Geometry

Defined by: B.S.21:1985
Tolerance class: Standard BSPT

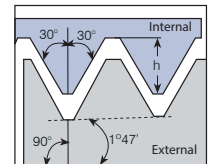


Min Thread	Insert Style	Ordering Code		Dimensions mm					Helix		VTX
	TPI	RH/LH	d	T	F	Y	h min	Deg.			
1/4"-19BSPT	VE11	19	VE11TH 19BSPTR/L	8	5.65	6.18	0.85	0.86	2	o	

- In stock ◦ Available upon request

NPT | Mini-VE - New Geometry

Defined by: USAS B2.1:1968
Tolerance class: Standard NPT

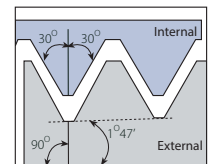


Min Thread	Insert Style	Ordering Code		Dimensions mm					Helix	Grade
	TPI	RH/LH	d	T	F	Y	h min	Deg.	VTX	
1/8"-27NPT	VE08	27	VE08TH 27NPTR/L	6	4.6	4.35	0.6	0.64	2	o
1/4"-18NPT		18	VE08TH 18NPTR/L			4.80	0.9	1.00	2	o

- In stock ◦ Available upon request

NPTF

Defined by: ANSI 1.2.3-1976
Tolerance class: Standard NPTF

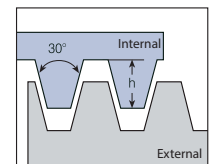


Min Thread	Insert Style	Ordering Code		Dimensions mm					Helix	Grades	
	TPI	RH	d	T	F	Y	h min	Deg.	VBX	VTX	
1/4"-18NPTF	V08	18	V08TH 18NPTF R	6	3.8	4.64	0.9	1.0	2	•	•

- In stock ◦ Available upon request

Trapez | Mini-VE - New Geometry

Defined by: DIN 103
Tolerance class: 7e/7H



Min Thread	Insert Style	Ordering Code		Dimensions mm					Helix	Grade
	mm	RH/LH	d	T	F	Y	h min	Deg.	VTX	
TR10x2.0	VE08	2	VE08TH 2.0TRR/L	6	4.6	4.79	0.90	1.25	3.5	o
TR11x3.0		3	VE08TH 3.0TRR/L			4.95	1.18	1.75	5	o
TR16x4.0	VE11	4	VE11TH 4.0TRR/L	8	5.85	6.53	1.60	2.25	5	o

- In stock ◦ Available upon request

Mini-V Holders

Alloy Steel Shank.....	114
Reinforced Alloy Steel Shank.....	114
Carbide Shank.....	115
Reinforced Carbide Shank.....	116
Carbide Shank for Sleeves.....	116
V-CAP Holders NEW	117
Micro Holders for Carbide Shank Sleeve Clamping.....	117



Mini-V Holders Ordering Code System

C	V	08	-	12	21	-
1	2	3		4	5	6

1 - Holder Type C - Carbide Shank None - Steel Shank	2 - Product Line VE - Mini-V Improved Toolholders (sizes 08 & 11) V - Mini-V Toolholders (sizes 14 & 16)	3 - Insert Size 08, 11, 14, 16	4 - Shank Diameter 6, 8, 12, 16
---	---	--	---

5 - Tool Overhang 12, 21, 29, 30, 42, 50, 56, 64, 80	6 - RH or LH None - RH L - LH
---	--

Mini-V Sleeves

MH	C	16	-	6
1	2	3		4

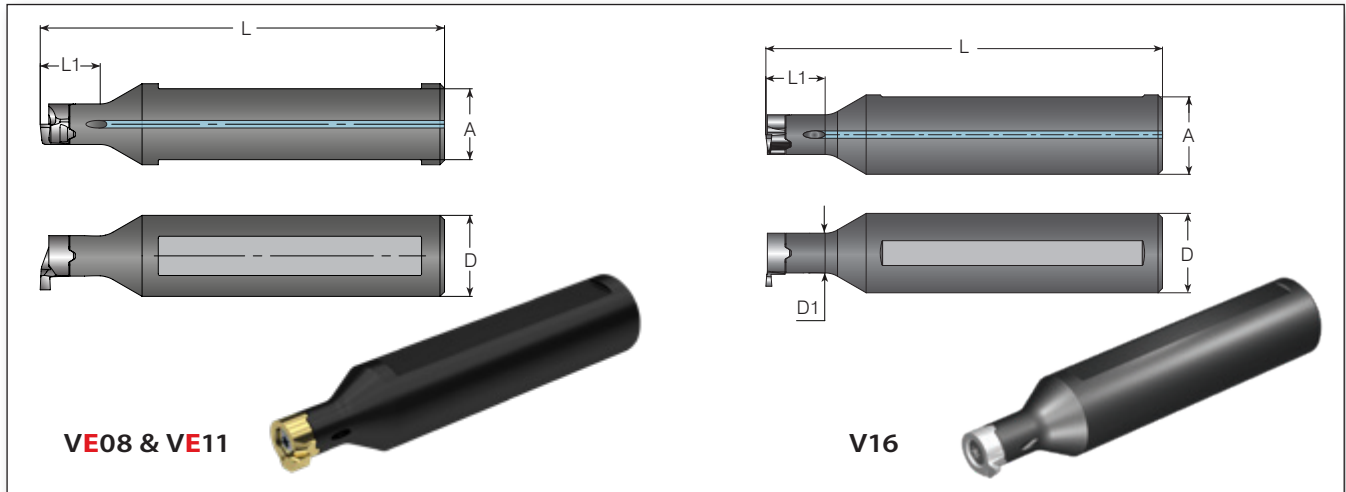
V-CAP Sleeve

MH	C	3	-	8	-	C4
1	2	S		5		6



1 - Holder Type MH - Microscope Holder	2 - Coolant C - Coolant Channels	3 - V-CAP System S - V-CAP System	4 - Shank Diameter 12, 16, 20	5 - Sleeve Bore Dia. 6, 8
--	--	---	---	-------------------------------------

6 - V-CAP polygon Size C3, C4

Alloy Steel Shank





Alloy Steel Shank | Mini-VE - New Geometry

Insert Style	Ordering Code	Dimensions mm					Spare Parts	
		A	L	L1	D	D1		
VE08	VE08-1612	14.6	80	12	16	6	SNV08	K2T
VE11	VE11-1612	14.6	80	12	16	8	SNV11	K3T

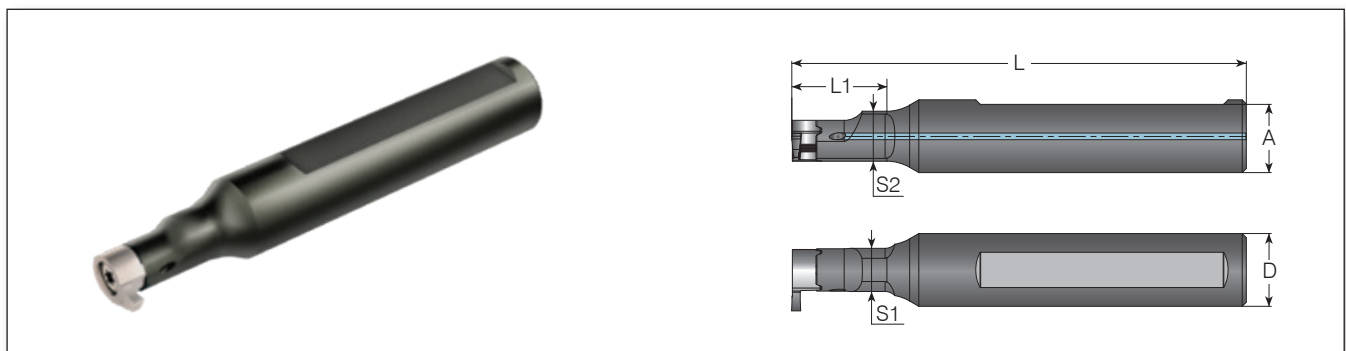
* Tightening Torque: 1.6 Nm.

Alloy Steel Shank - V16



Insert Style	Ordering Code	Dimensions mm					Spare Parts		
		Holder RH	A	L	L1	D	D1		
V16	V16-1622		15	100	22	16	11	SNV16	K4T

* Tightening Torque: 5.0 Nm max.

Reinforced Alloy Steel Shank

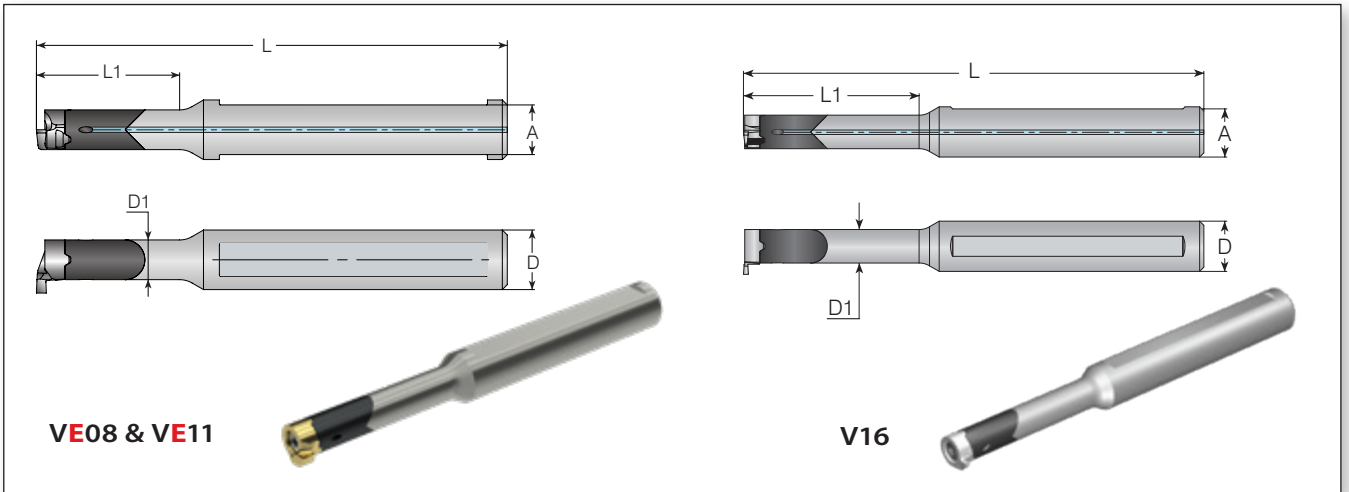


Reinforced Alloy Steel Shank - V14



Insert Style	Ordering Code	Dimensions mm						Spare Parts		
		Holder RH	A	L	L1	D	S1	S2		
V14	V14-1620		15.0	100	20	16	9.5	11	SNV14	KT15

* Tightening Torque: 2.8 Nm max.

Carbide Shank





Carbide Shank | Mini-VE - New Geometry

Insert Style		Dimensions mm					Spare Parts	
		A	L	L1	D	D1	 Screw*	 Key
VE08	CVE08-1221	10.0	80.5	21	12	6	SNV08	K2T
	CVE08-1230		90.5	30				
	CVE08-1242		100	42				
	CVE08-1250		115	50				
VE11	CVE11-1229	10.0	95	29	12	8	SNV11	K3T
	CVE11-1242		110	42				
	CVE11-1256		120	56				
	CVE11-1264		130	64				

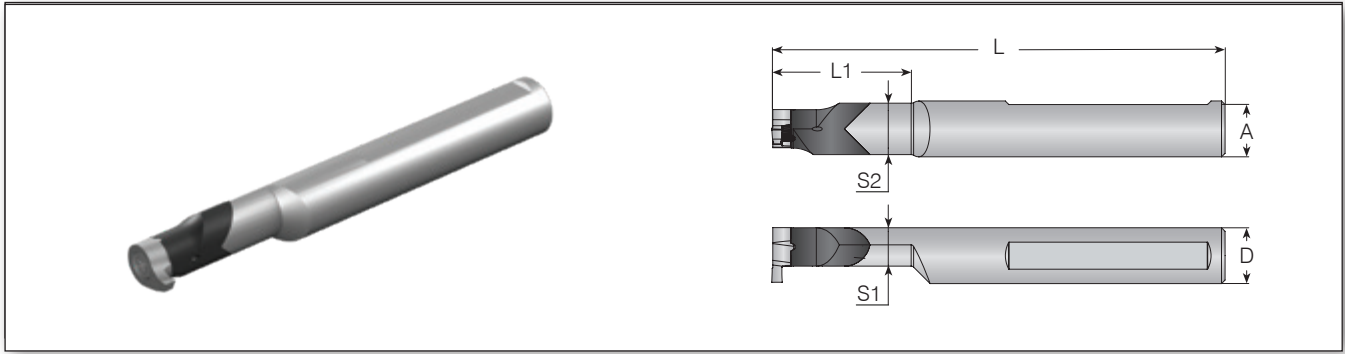
* Tightening Torque: VE08 - 1.6 Nm | VE11 - 2.2 Nm.

Carbide Shank - V16



Insert Style		Dimensions mm					Spare Parts	
Holder RH		A	L	L1	D	D1	 Screw	 Key
V16	CV16-1240	11.0	130	40	12	11	SNV16	K4T
	CV16-1256		130	56				
	CV16-1280		150	80				

* Tightening Torque: 5.0 Nm max.

Reinforced Carbide Shank



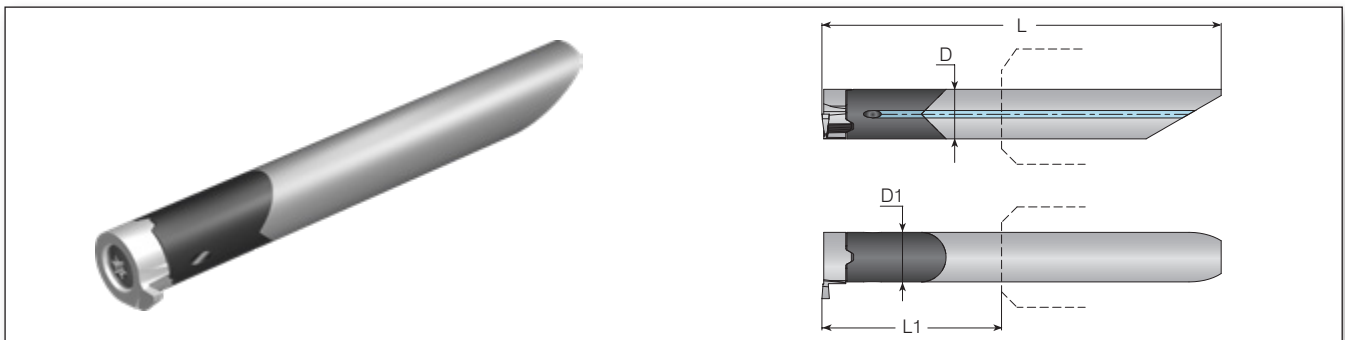
Reinforced Carbide Shank - V14 & V16

Reinforced Carbide Shank - V14 & V16								Spare Parts	
Insert Style	Ordering Code	Dimensions mm							
	Holder RH	A	L	L1	D	S1	S2	Screw*	Key
V14	CV14-1234	11	100	34	12	9.3	11.9	SNV14	KT15
	CV14-1245**		110	45					
	CV14-1264**		130	64					
	CV14-1634	15	100	34	16	9.3	12.45		
	CV14-1645**		110	45					
	CV14-1664**		130	64					
CV14-1675**	145	75							
V16	CV16-1640	15	129.7	39.7	16	11	14.75	SNV16	K4T
	CV16-1656**		129.7	55.7					
	CV16-1680**		149.7	79.7					



* Tightening Torque: V14 - 2.8 Nm max. | V16 - 5.0 Nm max.

** For boring, chamfering and face grooving only.

Carbide Shank for Sleeves



Carbide Shank for Sleeves - V08 & V11

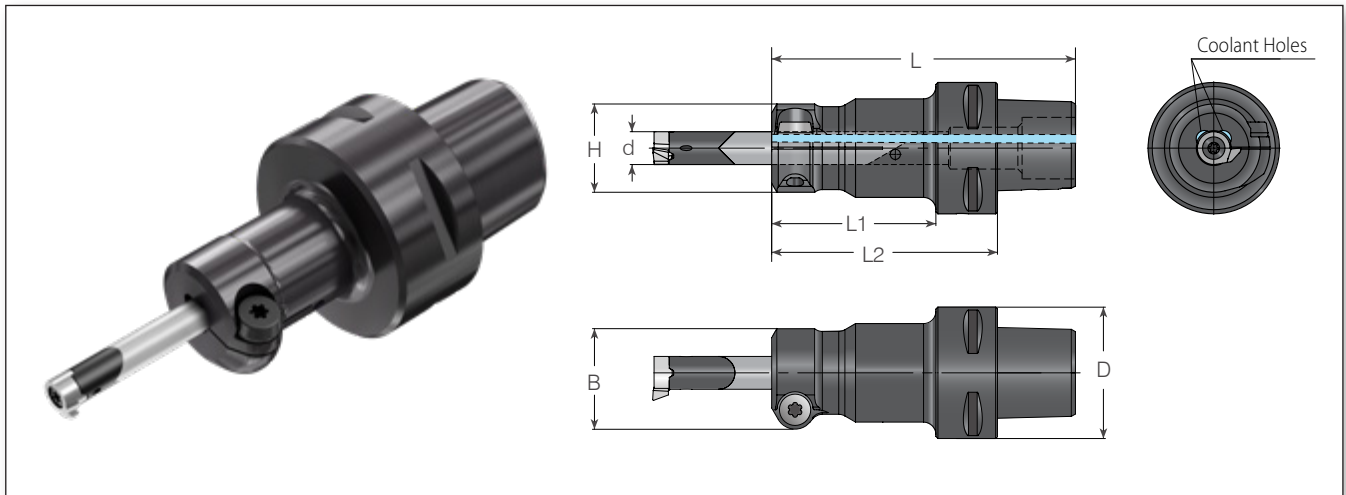
Carbide Shank for Sleeves - V08 & V11								Spare Parts		
Insert Style	Ordering Code	Dimensions mm						Ordering Code		
	Holder RH	A	L	L1	D	D1	Sleeve	Screw*	Key	
V08	CV08-0621	-	45	21	6	6	MHC...-6	SNV08	K2T	
	CV08-0630**	-	54	30						
V11	CV11-0829	-	64.5	29	8	8	MHC...-8	SNV11	K3T	
	CV11-0842**	-	77.5	42						



* Tightening Torque: V08 - 0.65 Nm max. | V11 - 2.0 Nm max.

** For boring and chamfering only.

V-CAP Holders for Carbide Shank Sleeve Clamping

NEW



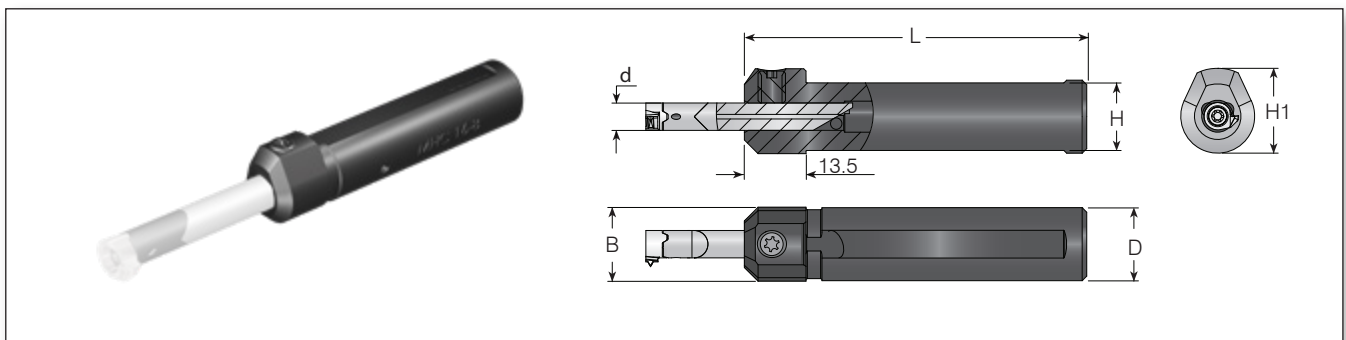
Micro Insert Dia.	Ordering Code	Dimensions mm						Spare Parts	
		D	B	H	L1	L2	L	 Shrink Screw*	 Key
6.0	MHCS-6-C3	32.0	23.7	20.0	30.0	45.0	64.0	SM5X10-15IPX2**	L15IP / LX15IP
	MHCS-6-C4	40.0	23.7	20.0	30.0	50.0	74.0		
8.0	MHCS-8-C3	32.0	24.5	21.5	40.0	55.0	74.0		
	MHCS-8-C4	40.0	24.5	21.5	40.0	60.0	84.0		



V-CAP holders are according to ISO 26623.

* Tightening Torque: 7 Nm max.

** SM5X10-15IPX2 is a special, double-sided screw. For an alternative screw, please use MS5X10 (key: S4).

Micro Holders for Carbide Shank Sleeve Clamping



d	Ordering Code	Dimensions mm				Spare Parts	
		D=B	H1	H	L	 Screw*	 Key
6	MHC 12-6	12	16	10.8	70	SL7DT15	KT15
	MHC 16-6	16	18.6	14.8	75		
	MHC 20-6	20	22	18.8	84		
8	MHC 16-8	16	18.6	14.8	100		
	MHC 20-8	20	22	18.8	103.5		

* Tightening Torque: 2.8 Nm max.



INTERNAL MACHINING | **FINISHING**

microscope

Precise Turning, Grooving, Threading
& Face Grooving

microscope

Micro Tools for Small Bores

The **Microscope** line offers new and improved solutions for micro boring, grooving, chamfering and threading in bores as small as 1.0 mm. The **Microscope** line offers a large and extended range of single-ended inserts and a full range of toolholders with a simple clamping system.



Improved Coolant Thru

Two coolant holes for effective chip removal and cooling of cutting edge

Slanted Insert Design

Provides exact radial insert location for high repeatability

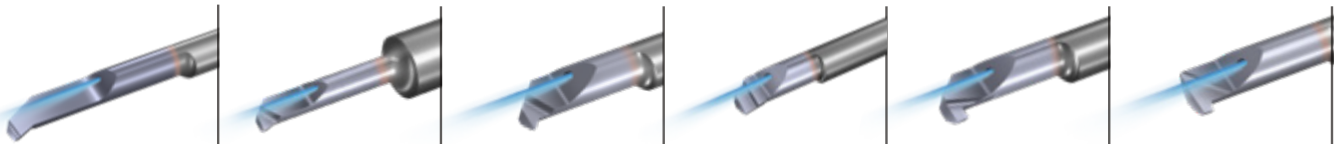
Simple Clamping System

Simple and fool-proof. The new clamping system uses one large screw to secure the insert in the holder

Stopper Pin

Provides precise cutting edge height and perfect axial location

Internal Tools with High Pressure Coolant Thru



Boring with Chip Breaker

Boring

Boring & Profiling

Boring with Chip Former

Square Grooving

Pre-Part Off

Miniature Toolholders



V-Cap Holder with Shrink Clamping

Shrink Toolholders

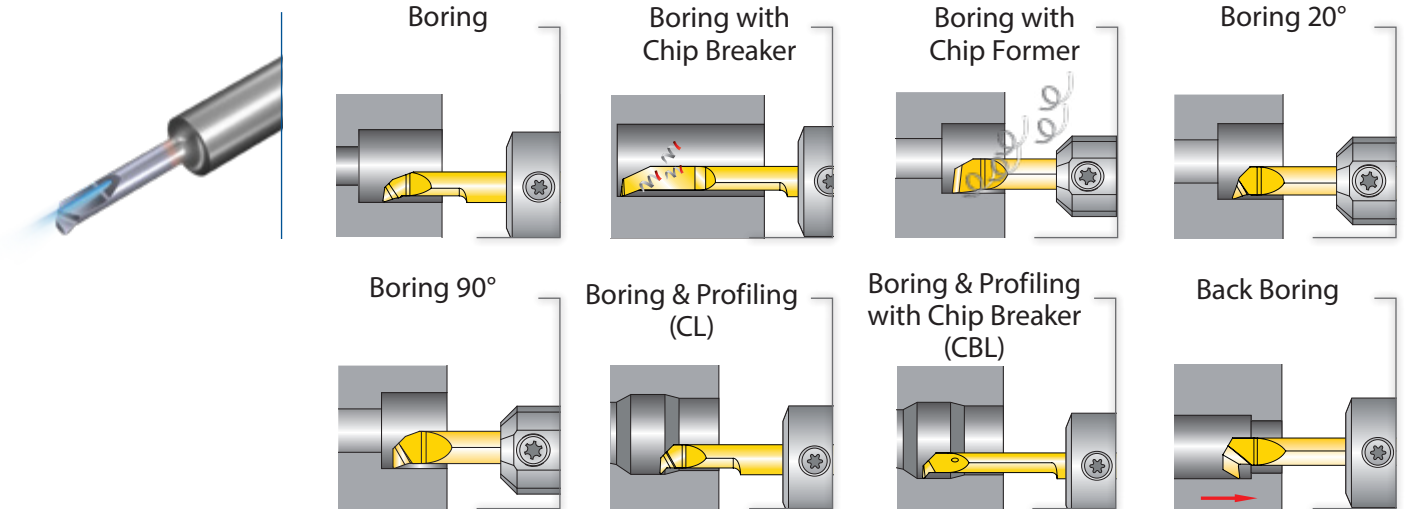
Round Toolholders without Shoulder

Double Sided Round Toolholders without Shoulder

Applications

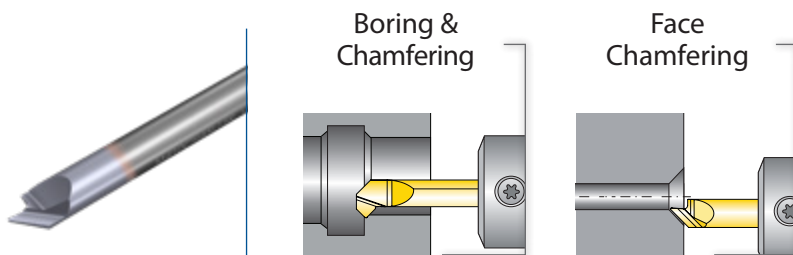
BORING

Pages 128 - 139



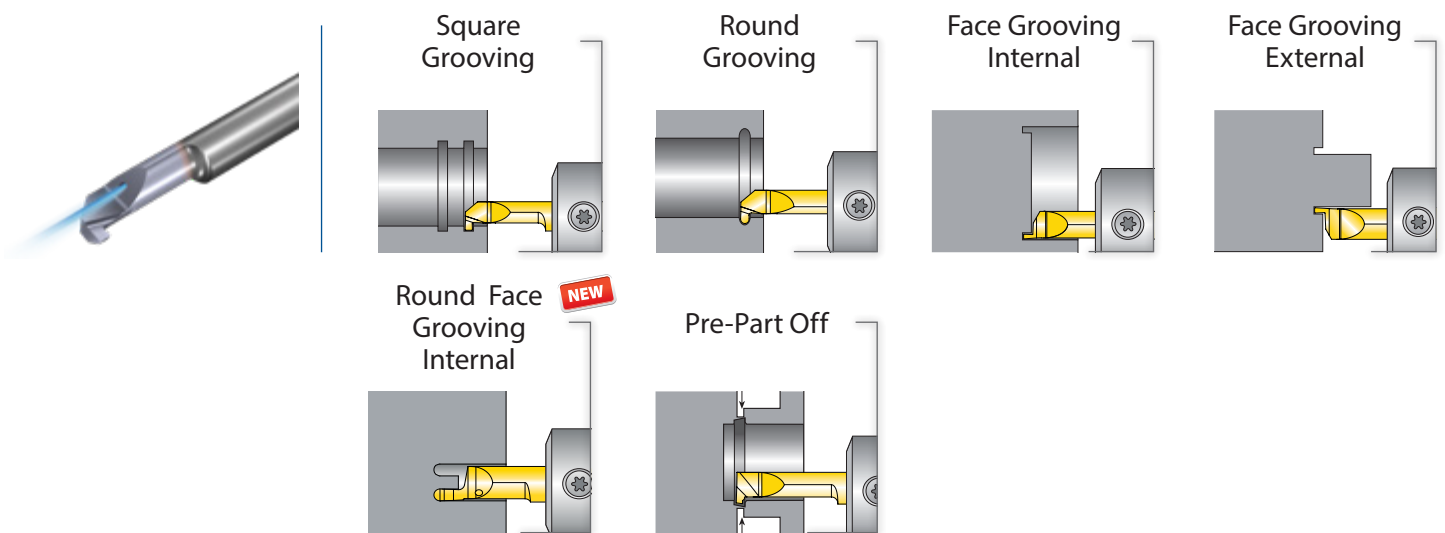
CHAMFERING

Page 139, 146



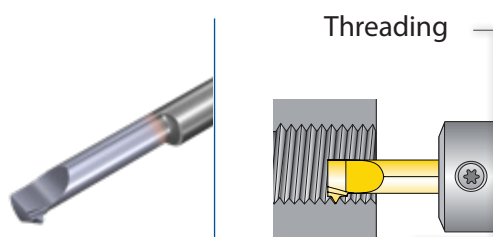
GROOVING

Pages 140 - 146



THREADING

Pages 147 - 149

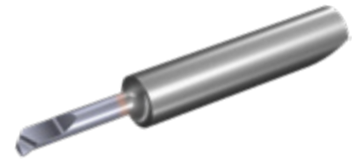


Boring Technical Data

Recommended VBX Cutting Speeds Vc [m/min]

Material Group	Vargus No.	Material	Hardness Brinell HB	Vc[m/min] (Coated)	
P Steel	1	Unalloyed Steel	Low Carbon (C=0.1-0.25%)	125	80-150
	2		Medium Carbon (C=0.25-0.55%)	150	80-130
	3		High Carbon (C=0.55-0.85%)	170	70-110
	4	Low Alloy Steel (alloying elements ≤ 5%)	Non Hardened	180	70-110
	5		Hardened	275	70-100
	6		Hardened	350	70-100
	7	High Alloy Steel (alloying elements > 5%)	Annealed	200	80-120
	8		Hardened	325	70-110
	9	Cast Steel	Low Alloy (alloying elements < 5%)	200	80-110
	10		High Alloy (alloying elements > 5%)	225	80-110
M Stainless Steel	11	Stainless Steel Ferritic	Non Hardened	200	80-100
	12		Hardened	330	70-110
	13	Stainless Steel Austenitic	Austenitic	180	80-110
	14		Super Austenitic	200	80-110
	15	Stainless Steel Cast Ferritic	Non Hardened	200	40-60
	16		Hardened	330	30-50
	17	Stainless Steel Cast Austenitic	Austenitic	200	40-60
	18		Hardened	330	30-50
K Cast Iron	28	Malleable Cast Iron	Ferritic (short chips)	130	80-110
	29		Pearlitic (long chips)	230	80-110
	30	Grey Cast Iron	Low Tensile Strength	180	80-110
	31		High Tensile Strength	260	80-110
	32	Nodular SG Iron	Ferritic	160	80-110
	33		Pearlitic	260	80-110
N(K) Non-Ferrous Metals	34	Aluminium Alloys Wrought	Non Aging	60	100-300
	35		Aged	100	100-150
	36	Aluminium Alloys	Cast	75	100-150
	37		Cast & Aged	90	60-100
	38	Aluminium Alloys	Cast Si 13-22%	130	100-150
	39	Copper and Copper Alloys	Brass	90	60-100
	40		Bronze and non leaded Copper	100	60-100
	S(M) Heat Resistant Material	19	High Temperature Alloys	Annealed (Iron based)	200
20		Aged (Iron based)		280	20-30
21		Annealed (Nickel or Cobalt based)		250	15-20
22		Aged (Nickel or Cobalt based)		350	10-15
23		Titanium Alloys	Pure 99.5 Ti	400Rm	60-100
24			α+β Alloys	1050Rm	40-50
H(K) Hardened Material	25	Extra Hard Steel	Hardened & Tempered	45-50HRc	20-45
	26			51-55HRc	20-40

Carbide Grade



VBX - TiCN PVD coated

VTX - AlTiN PVD coated

VTX

Excellent for Boring applications in medium-to-high cutting speeds and in dry conditions.

Multilayered AlTiN PVD coated, general purpose grade for prevention of peeling and chipping.

* For **VTX Grade**, increase speed by 20%.

VBX

Excellent for all applications and outstanding wear resistance in low-to-medium cutting speeds, combined with good fracture toughness.

TiCN PVD coated.

Boring Technical Data

Boring and Profiling in Finishing Operations – Recommended Depth of Cut [a_p max. (mm)] and Feed f [mm/rev]

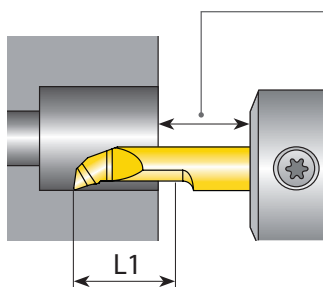
High Alloy Steel, 330 HB, 2100 Kc [N/mm ²]			
D min.	Vmax mm ²	a_p max. (mm)	f mm/rev
1 mm - 1.7 mm	0.0012	0.08	0.015
1.8 mm - 2.7mm	0.0017	0.10	0.017
2.8 mm - 3.2 mm	0.0031	0.18	0.017
3.3 mm - 3.7 mm	0.0040	0.22	0.018
3.8 mm - 4.2 mm	0.0050	0.25	0.020
4.3 mm - 5.2 mm	0.0084	0.30	0.028
5.2 mm - 6.2 mm	0.0150	0.30	0.050
6.3 mm - 7.2 mm	0.0210	0.35	0.060

Austenitic Stainless Steel, 200 HB, 2600 Kc [N/mm ²]			
D min.	Vmax mm ²	a_p max. (mm)	f mm/rev
1 mm - 1.7 mm	0.0009	0.06	0.015
1.8 mm - 2.7mm	0.0015	0.10	0.015
2.8 mm - 3.2 mm	0.0018	0.12	0.015
3.3 mm - 3.7 mm	0.0023	0.15	0.015
3.8 mm - 4.2 mm	0.0027	0.18	0.015
4.3 mm - 5.2 mm	0.0030	0.20	0.015
5.2 mm - 6.2 mm	0.0050	0.20	0.025
6.3 mm - 7.2 mm	0.0063	0.25	0.025

Machining Recommendation

- $V_{max} = \text{Feed mm/rev} \times a_p \text{ (mm)}$
- Exceeding the V_{max} value may cause corner excessive wear and breakage
- Recommendations listed are for average roughness of 0.5 (Ra)
- Lower Hardness and Lower Kc enable to increase the value of V_{max} , for higher metal removal
- Recommendations listed are for medium L1. Increase V_{max} value by using shorter L1 tools

When encountering chip flow evacuation problems, it is recommended to increase the distance between the workpiece and sleeve.

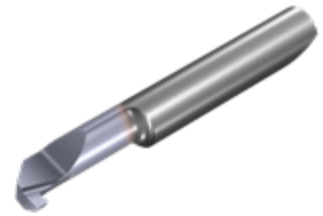


Grooving Technical Data

Recommended VBX Cutting Speeds Vc [m/min] and Feed f [mm/rev]

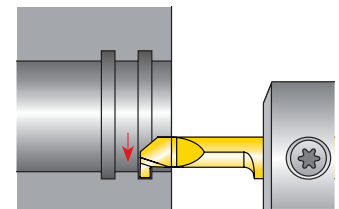
Material Group	Vargus No.	Material	Hardness Brinell HB	Vc[m/min] (Coated)	Feed f [mm/rev]	
P Steel	1	Unalloyed Steel	Low Carbon (C=0.1-0.25%)	125	50-120	0.05
	2		Medium Carbon (C=0.25-0.55%)	150	40-100	0.05
	3		High Carbon (C=0.55-0.85%)	170	30-80	0.05
	4	Low Alloy Steel (alloying elements ≤5%)	Non Hardened	180	50-70	0.05
	5		Hardened	275	40-60	0.05
	6		Hardened	350	30-50	0.05
	7	High Alloy Steel (alloying elements >5%)	Annealed	200	30-50	0.05
	8		Hardened	325	25-40	0.05
	9	Cast Steel	Low Alloy (alloying elements <5%)	200	30-50	0.05
	10		High Alloy (alloying elements >5%)	225	25-40	0.05
M Stainless Steel	11	Stainless Steel Ferritic	Non Hardened	200	60-100	0.05
	12		Hardened	330	40-60	0.05
	13	Stainless Steel Austenitic	Austenitic	180	50-90	0.05
	14		Super Austenitic	200	40-60	0.05
	15	Stainless Steel Cast Ferritic	Non Hardened	200	40-60	0.05
	16		Hardened	330	30-50	0.05
	17	Stainless Steel Cast Austenitic	Austenitic	200	40-60	0.05
	18		Hardened	330	30-50	0.05
K Cast Iron	28	Malleable Cast Iron	Ferritic (short chips)	130	50-70	0.04
	29		Pearlitic (long chips)	230	50-70	0.04
	30	Grey Cast Iron	Low Tensile Strength	180	50-70	0.04
	31		High Tensile Strength	260	40-60	0.04
	32	Nodular SG Iron	Ferritic	160	50-70	0.04
	33		Pearlitic	260	60-80	0.04
N(K) Non-Ferrous Metals	34	Aluminium Alloys Wrought	Non Aging	60	100-300	0.04
	35		Aged	100	100-150	0.04
	36	Aluminium Alloys	Cast	75	100-150	0.04
	37		Cast & Aged	90	60-100	0.04
	38	Aluminium Alloys	Cast Si 13-22%	130	100-150	0.04
	39	Copper and Copper Alloys	Brass	90	60-100	0.03
	40		Bronze and non leaded Copper	100	60-100	0.04
S(M) Heat Resistant Material	19	High Temperature Alloys	Annealed (Iron based)	200	25-45	0.02
	20		Aged (Iron based)	280	20-30	0.02
	21		Annealed (Nickel or Cobalt based)	250	15-20	0.02
	22		Aged (Nickel or Cobalt based)	350	10-15	0.02
	23	Titanium Alloys	Pure 99.5 Ti	400Rm	60-100	0.02
24	α+β Alloys		1050Rm	40-50	0.02	
H(K) Hardened Material	25	Extra Hard Steel	Hardened & Tempered	45-50HRc	20-40	0.02
	26			51-55HRc	20-35	0.02

Carbide Grade



VBX - TiCN PVD coated
VTX - AlTiN PVD coated

Machining Recommendation



Machine the groove in one motion instead of intervals.

VTX

Excellent for Boring applications in medium-to-high cutting speeds and in dry conditions.

Multilayered AlTiN PVD coated, general purpose grade for prevention of peeling and chipping.

* For **VTX Grade**, increase speed by 20%.

VBX

Excellent for all applications and outstanding wear resistance in low-to-medium cutting speeds, combined with good fracture toughness.

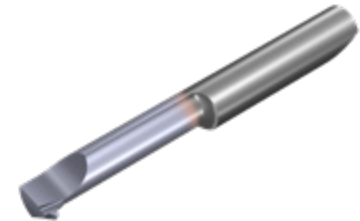
TiCN PVD coated.

Threading Technical Data

Recommended VBX Cutting Speeds Vc [m/min]

Material Group	Vargus No.	Material	Hardness Brinell HB	Vc[m/min] (Coated)
P Steel	1	Unalloyed Steel	Low Carbon (C=0.1-0.25%)	125
	2		Medium Carbon (C=0.25-0.55%)	150
	3		High Carbon (C=0.55-0.85%)	170
	4	Low Alloy Steel (alloying elements ≤5%)	Non Hardened	180
	5		Hardened	275
	6		Hardened	350
	7	High Alloy Steel (alloying elements >5%)	Annealed	200
	8		Hardened	325
	9	Cast Steel	Low Alloy (alloying elements <5%)	200
	10		High Alloy (alloying elements >5%)	225
M Stainless Steel	11	Stainless Steel Ferritic	Non Hardened	200
	12		Hardened	330
	13	Stainless Steel Austenitic	Austenitic	180
	14		Super Austenitic	200
	15	Stainless Steel Cast Ferritic	Non Hardened	200
	16		Hardened	330
	17	Stainless Steel Cast Austenitic	Austenitic	200
	18		Hardened	330
K Cast Iron	28	Malleable Cast Iron	Ferritic (short chips)	130
	29		Pearlitic (long chips)	230
	30	Grey Cast Iron	Low Tensile Strength	180
	31		High Tensile Strength	260
	32	Nodular SG Iron	Ferritic	160
	33		Pearlitic	260
N(K) Non-Ferrous Metals	34	Aluminium Alloys Wrought	Non Aging	60
	35		Aged	100
	36	Aluminium Alloys	Cast	75
	37		Cast & Aged	90
	38	Aluminium Alloys	Cast Si 13-22%	130
	39	Copper and Copper Alloys	Brass	90
	40		Bronze and non leaded Copper	100
	S(M) Heat Resistant Material	19	High Temperature Alloys	Annealed (Iron based)
20		Aged (Iron based)		280
21		Annealed (Nickel or Cobalt based)		250
22		Aged (Nickel or Cobalt based)		350
23		Titanium Alloys	Pure 99.5 Ti	400Rm
24	α+β Alloys		1050Rm	
H(K) Hardened Material	25	Extra Hard Steel	Hardened & Tempered	45-50HRc
	26			51-55HRc

Carbide Grade

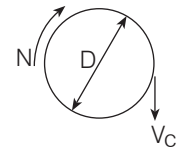


VBX - TiCN PVD coated
VTX - AlTiN PVD coated

Calculation of N [RPM]

$$N = \frac{1000 \times V_c}{\pi \times D}$$

$$V_c = \frac{N \times \pi \times D}{1000}$$



N - Revolution Per Minute [RPM]

V_c - Cutting Speed [m/mm]

D - Workpiece Diameter [mm]

Number of Passes for Threading

Pitch	mm	0.50	0.75	1.00	1.25	1.50	1.75	2.00
TPI		48	32	24	20	16	14	12
No. of Passes (Microscope)		6-9	6-11	6-12	8-14	9-15	11-18	11-18

VTX

Excellent for Boring applications in medium-to-high cutting speeds and in dry conditions. Multilayered AlTiN PVD coated, general purpose grade for prevention of peeling and chipping.

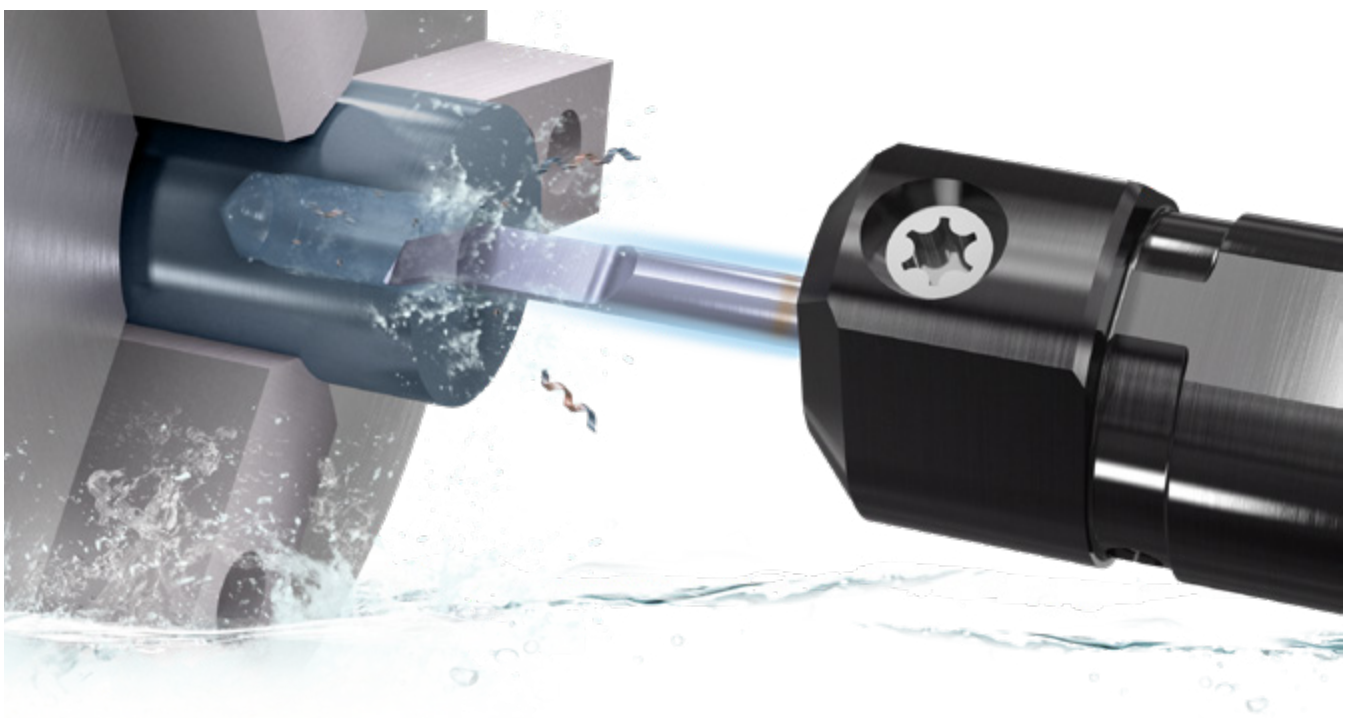
* For **VTX Grade**, increase speed by 20%.

VBX

Excellent for all applications and outstanding wear resistance in low-to-medium cutting speeds, combined with good fracture toughness. TiCN PVD coated.







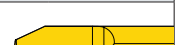



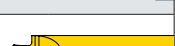


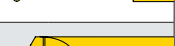


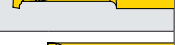
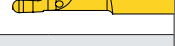
microscope Inserts

Boring with HPC.....	128
Boring.....	129
Boring with Chip Breaker with HPC.....	132
Boring with Chip Breaker.....	133
Boring with Chip Former with HPC.....	134
Boring with Chip Former.....	135
Boring 20°.....	136
Boring 90°.....	136
Boring & Profiling with Chip Breaker & HPC (CBLF) NEW	137
Boring & Profiling (CL) with HPC.....	138
Boring & Profiling (CL).....	138
Back Boring.....	139
Boring & Chamfering 45°.....	139
Square Grooving with HPC.....	140
Square Grooving.....	141
Round Grooving.....	143
Pre-Part Off.....	143
Face Grooving with HPC NEW	144
Face Grooving.....	145
Round Face Grooving with HPC NEW	146
Face Chamfering 45°.....	146
Threading.....	147

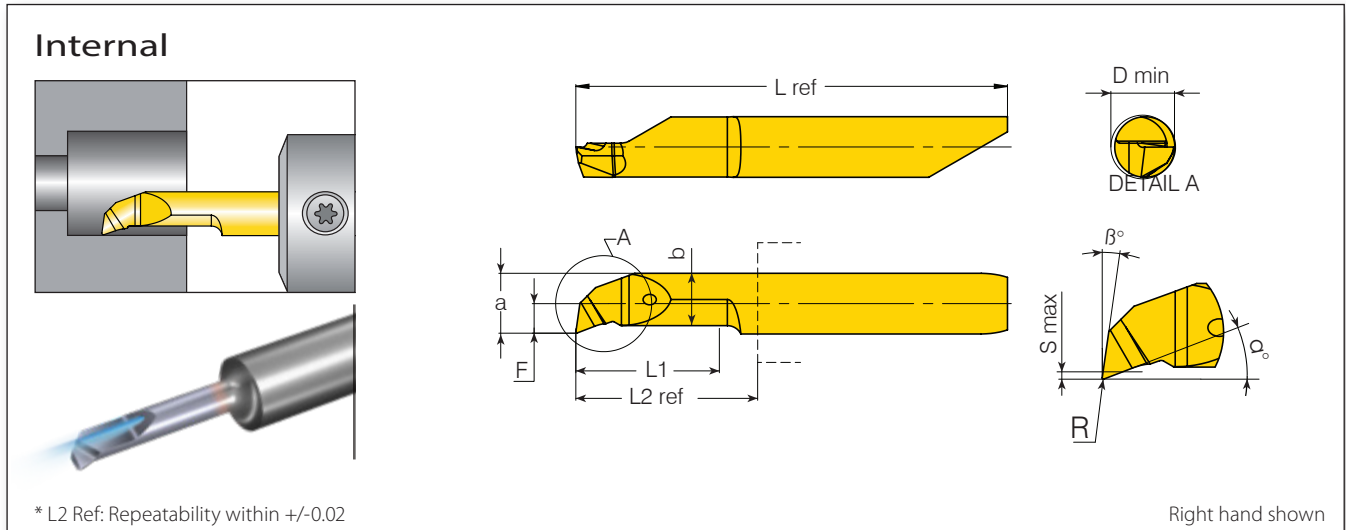


microscope Insert Ordering Code

Boring:	M 1	4 2	42 3	BC 4	R05 5	- 6	L10 7	R 8	C 9	VTX 10
Grooving:	M 1	5 2	52 3	GS 4	W100 5	- 6	L10 7	R 8	C 9	VBX 10
Threading:	M 1	5 2	42 3	TH 4	0.5 5	ISO 6	L16 7	R/L 8	- 9	VBX 10

1 - Product Line M/ MS / MN- Microscope MC - Microscope central location of cutting tip	4 - Application Type	5 - Boring Nose Radius 0.05, 0.1, 0.15, 0.2 (mm)						
2 - Shank Dia. 4, 5, 6, 7	BC Boring 	5 - Grooving Width 079 - 318 (mm)						
3 - Min. Bore Dia. (mm) 1.7, 2.2, 3.2...	BE Boring with Edge Prep 	5 - Threading Pitch						
	B20 Boring 20° 	Full Profile - Pitch Range						
	B90 Boring 90° 	<table border="1"> <tr> <td>mm</td> <td>TPI</td> </tr> <tr> <td>0.5 - 1.5</td> <td>28-18</td> </tr> </table>	mm	TPI	0.5 - 1.5	28-18		
mm	TPI							
0.5 - 1.5	28-18							
	CBLF Boring & Profiling with Chip Breaker 	Partial Profile - Pitch Range						
	CL Boring & Profiling 	<table border="1"> <tr> <td>mm</td> <td>TPI</td> </tr> <tr> <td>A 0.5 - 1.5</td> <td>A 48-16</td> </tr> <tr> <td>F 0.5 - 1.0</td> <td>F 48-24</td> </tr> </table>	mm	TPI	A 0.5 - 1.5	A 48-16	F 0.5 - 1.0	F 48-24
mm	TPI							
A 0.5 - 1.5	A 48-16							
F 0.5 - 1.0	F 48-24							
	BCB Boring with Chip Breaker 	6 - Threading Standard						
	BCF Boring with Chip Former 	A60 - Partial Profile 60° A55 - Partial Profile 55° ISO - ISO Metric UN - American UN NPT - NPT W - Whitworth for BSW, BSP TR - Trapez						
	BB Back Boring 	7 - Maximum Length of Cut (mm)						
	CH4545 Boring & Chamfering 45° 	L10 - 10mm, L15 - 15mm...						
	CH45 Face Chamfering 45° 	8 - RH or LH						
	GS Square Grooving 	R - RH L - LH						
	GR Round Grooving 	9 - Coolant						
	FG Face Grooving Internal 	C - Internal Coolant NONE - Without Coolant						
	FP Face Grooving External 	10 - Carbide Grade						
	PP Pre-Part Off 	VBX, VTX						
	RFG Round Face Grooving Internal 							
	TH Threading 							

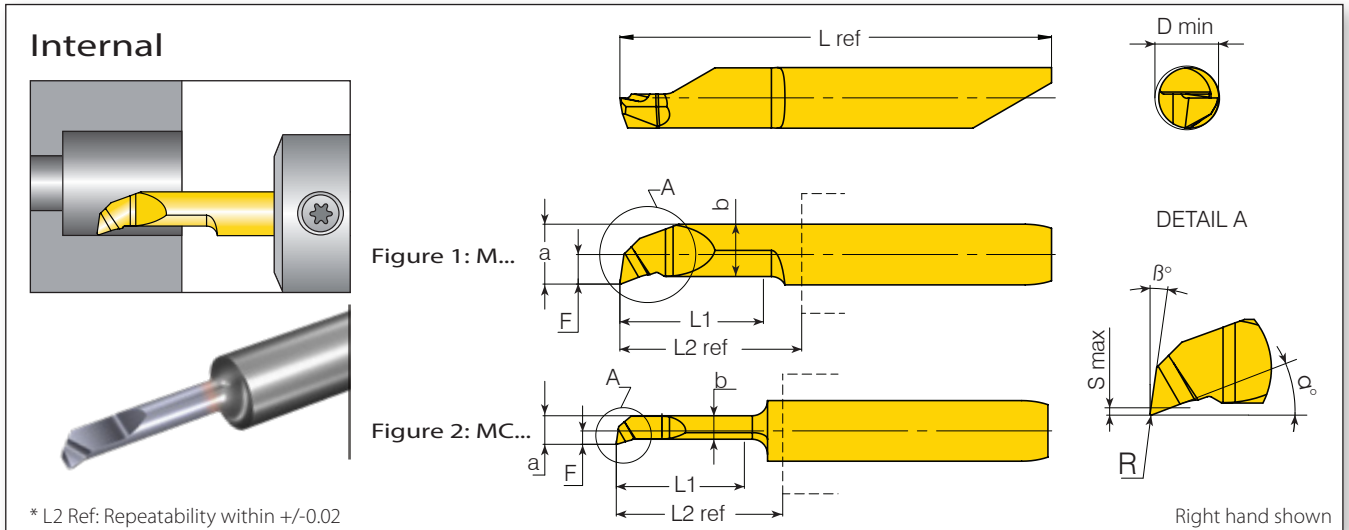
Boring with High Pressure Coolant



Shank Dia.	Min. Bore Dia.	Ordering Code	Dimensions mm										Grades		
d (mm)	D min. (mm)	RH/LH	L1	R	F	S max	a	b	α°	β°	L2 ref*	L ref	VBX	VTX	
4.0	3.0	M430BCR15L20RC**	20.0	0.15	1.36	0.2	2.7	2.36	17.5	8	22.8	39.8	◦	•	
	3.2	M432BCR15L10RC**	10.0	0.15	1.44	0.2	2.9	2.5	17.5	8	11.5	28.5	◦	•	
		M432BCR15L20RC**	20.0	0.15	1.4		2.87	2.45			22.8	39.8	◦	•	
	4.0	M440BCR20L10RC	10.0	0.20	1.90	0.25	3.74	3.35	17.5	8	11.5	28.5	◦	•	
	4.2	5.2	M442BCR15L10RC**	10.0	0.15	1.93	0.3	3.93	3.13	19	8	11.5	28.5	◦	•
			M442BCR20L10RC**	10.0	0.20	1.98		3.98	3.13			11.5	28.5	◦	•
M442BCR15L21RC**			21.0	0.15	1.93	3.93		3.13	22.8			39.8	◦	•	
5.0	5.2	M552BCR20L10RC**	10.0	0.20	2.44	0.5	4.94	4.04	21	8	12.15	35	•	◦	
		M552BCR20L15RC	15.0	0.20	2.44		4.94	4.24			18.15	41	◦	•	
		M552BCR20L21RC**	21.0	0.20	2.44		4.94	4.04			23.15	46	◦	•	
		M552BCR20L30RC**	30.0	0.20	2.44		4.94	4.04			32.15	55	◦	•	
		M552BCR20L35RC**	35.0	0.20	2.44		4.94	4.04			37.15	60	◦	•	

** LH Tools are available upon request.
 | • In stock ◦ Available upon request

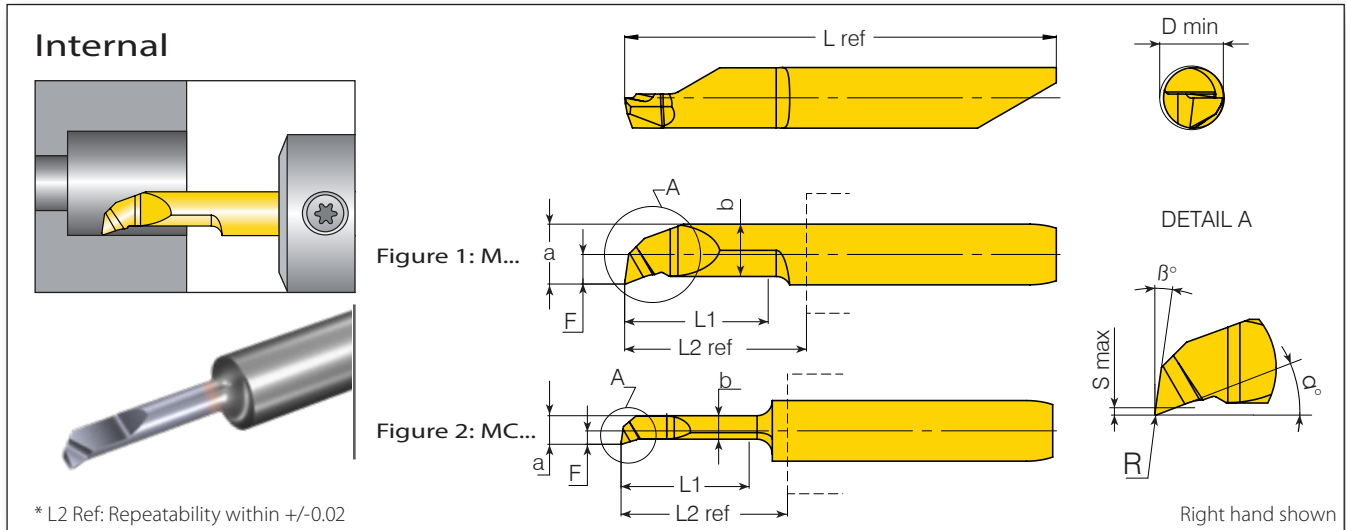
Boring



Shank Dia.	Min. Bore Dia.	Ordering Code	Dimensions mm									Grades		
d (mm)	D min. (mm)	RH/LH	L1	R	F	S max	a	b	α°	β°	L2 ref*	L ref	VBX	VTX
4.0	1.0	MC410BCR05L04R	4.0	0.05	0.48	0.1	0.96	0.71	16.4	8	8.8	25.75	•	•
		MC410BCR05L04L	4.0	0.05	0.48	0.1	0.96	0.71	16.4		8.8	25.75	•	◦
		MC410BCR10L04R/L	4.0	0.1	0.48	0.1	0.96	0.71	17		8.8	25.75	•	◦
		MC410BCR05L06R	6.0	0.05	0.48	0.15	0.96	0.71	16.4		8.8	25.75	•	•
		MC410BCR05L06L	6.0	0.05	0.48	0.15	0.96	0.71	16.4		8.8	25.75	•	◦
		MC410BCR10L06R/L	6.0	0.1	0.48	0.15	0.96	0.81	17		8.8	25.75	•	◦
	1.5	MC415BCR05L04R	4.0	0.05	0.74	0.15	2.74	1.15	16	8	11.5	28.5	•	◦
		MC415BCR10L09R	9.0	0.1	0.74	0.15	1.45	1.22	16		11.5	28.5	•	◦
	1.7	MC415BCR10L09L	9.0	0.1	0.74	0.15	1.45	1.22	16	8	11.5	28.5	•	•
		MC417BCR05L06R/L	6.0	0.05	0.62	0.2	1.43	1.02	16		11.5	28.5	•	◦
		MC417BCR10L06R/L	6.0	0.1	0.77		1.58	1.18	16		11.5	28.5	•	•
	MC417BCR05L09R/L	9.0	0.05	0.62	1.43		1.04	16	11.5	28.5	•	◦		
	1.9	MC419BCR05L06R**	6.0	0.05	0.72	0.2	1.62	1.2	16	8	11.5	28.5	•	◦
		MC419BCR05L09R/L	9.0	0.05	0.72		1.62	1.2	16		11.5	28.5	•	•
	2.2	MC422BCR05L06R/L	6.0	0.05	0.88	0.2	1.88	1.55	17.7	8	11.5	28.5	•	◦
		MC422BCR10L06R/L	6.0	0.1	0.93		1.93	1.55	17.7		11.5	28.5	•	◦
		MC422BCR05L09R/L	9.0	0.05	0.88		1.88	1.55	17.7		11.5	28.5	•	◦
		MC422BCR10L09R/L	9.0		0.1		2.06	1.76	17.7		11.5	28.5	•	◦
		MC422BCR10L14R/L	14.0		1.04		2.04	1.76	17.7		18.2	35.2	•	•
		MC422BER10L14R**	14.0	0.1	1.04		2.04	1.76	17.7		18.2	35.2	◦	•
	2.7	MC427BCR05L10R/L	10.0		0.05	0.2	2.47	2.06	17.5	8	11.5	28.5	•	◦
		MC427BCR15L10R/L	10.0		1.19		2.41	2.06	17.5		11.5	28.5	•	◦
		MC427BCR15L15R/L	15.0	0.15	1.23		2.48	2.06	17.5		18.2	35.2	•	•
		MC427BER15L15R**	15.0		1.23		2.48	2.06	17.5		18.2	35.2	◦	•
		MC427BCR05L16R/L	16.0	0.05	1.22		2.47	2.06	17.5		18.2	35.2	•	•
		MC427BER05L16R**	16.0	0.05	1.22		2.47	2.06	17.5		18.2	35.2	◦	•
	3.0	MC430BCR05L10R**	10.0	0.05	1.33	0.2	2.7	2.25	17.5	8	11.5	28.7	◦	•
		MC430BCR05L16R/L	16.0	0.05	1.33		2.7	2.25	17.5		18.2	35.2	•	◦
MC430BCR15L20R/L		20.0	0.15	1.36	2.7		2.36	17.5	22.8		39.8	•	◦	
MC430BCR05L26R/L		26.0	0.05	1.33	2.7		2.25	17.5	28.7		45.7	•	◦	

** LH Tools are available upon request.
 • In stock ◦ Available upon request
 Inserts marked with E are available with edge prep.

Boring (con't)

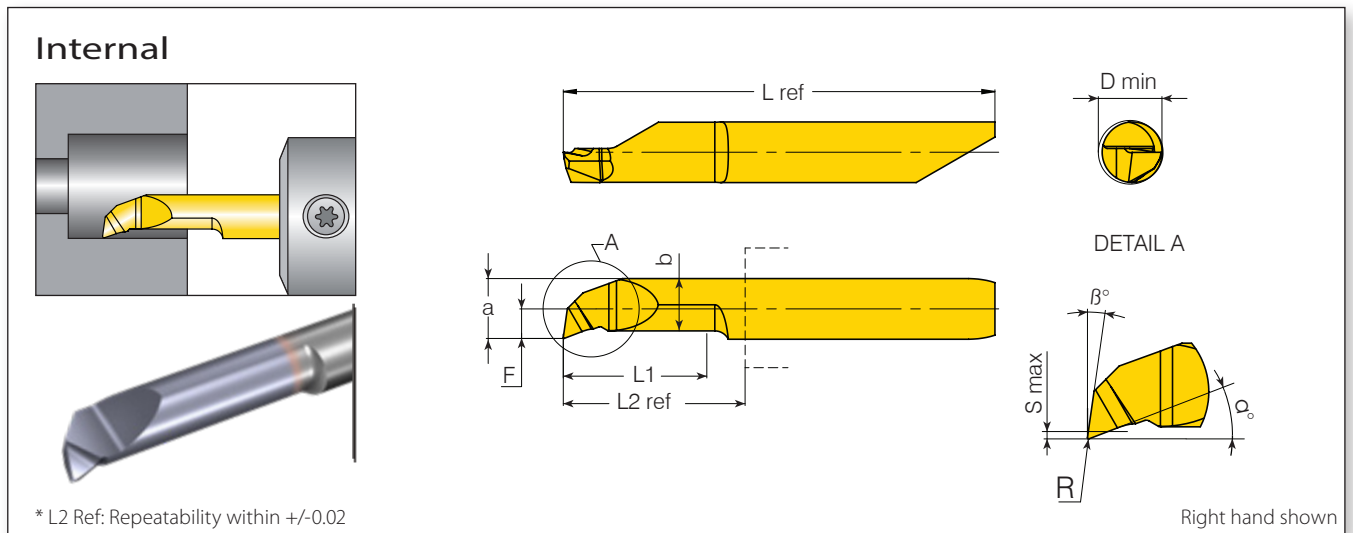


* L2 Ref: Repeatability within +/-0.02

Shank Dia. Min. Bore Dia.		Ordering Code	Dimensions mm										Grades			
d (mm)	D min. (mm)	RH/LH	L1	R	F	S max	a	b	α°	β°	L2 ref*	L ref	VBX	VTX		
4.0	3.2	MC432BCR05L10R/L	10.0	0.05	1.43		2.9	2.45	17.5			11.5	28.5	•	◦	
		MC432BCR15L10R/L	10.0	0.15	1.44		2.9	2.5	17.5			11.5	28.5	•	◦	
		MC432BCR05L16R/L	16.0	0.05	1.43		2.9	2.45	17.5			18.2	35.2	•	•	
		MC432BER05L16R**	16.0	0.05	1.43		2.9	2.45	17.5			18.2	35.2	◦	•	
		MC432BCR15L16R/L	16.0	0.15	1.44		2.87	2.5	17.5			18.2	35.2	•	•	
		MC432BER15L16R**	16.0	0.15	1.44	0.2	2.87	2.5	17.5		8	18.2	35.2	◦	•	
		MC432BCR05L20R/L	20.0	0.05	1.43		2.9	2.45	17.5				22.8	39.8	•	•
		MC432BER05L20R**	20.0	0.05	1.43		2.9	2.45	17.5				22.8	39.8	◦	•
		MC432BCR15L20R/L	20.0	0.15	1.4		2.87	2.45	17.5				22.8	39.8	•	•
		MC432BER15L20R**	20.0	0.15	1.4		2.87	2.45	17.5				22.8	39.8	◦	•
	MC432BER10L23R**	23.0	0.10	1.43		2.90	2.45	17.5				22.8	45.7	◦	•	
	MC437BCR05L10R**	10.0	0.05	1.78		3.48	3.05	17.5				11.5	28.5	•	◦	
	MC437BCR15L10R/L	10.0	0.15	1.74		3.44	3.05	17.5				11.5	28.5	•	◦	
	MC437BCR15L15R	15.0	0.15	1.74		3.44	3.05	17.5				18.2	35.2	•	•	
	MC437BCR15L15L	15.0	0.15	1.74		3.44	3.05	17.5				18.2	35.2	•	◦	
	MC437BER15L15R**	15.0	0.15	1.74	0.2	3.44	3.05	17.5		8	18.2	35.2	•	•		
	MC437BCR15L20R	20.0	0.15	1.74		3.44	3.05	17.5				22.8	39.8	◦	•	
	MC437BCR15L20L	20.0	0.15	1.74		3.44	3.05	17.5				22.8	39.8	•	◦	
	MC437BER15L20R**	20.0	0.15	1.74		3.44	3.05	17.5				22.8	39.8	◦	•	
	MC437BCR05L26R**	26.0	0.05	1.78		3.48	3.05	17.5				28.7	45.7	◦	•	
	M442BCR03L10R**	10.0	0.03	1.98		3.98	3.13	19				11.5	28.5	◦	•	
	M442BCR05L10R**	10.0	0.05	1.95		3.95	3.45	21				11.5	28.5	•	◦	
	MS442BCR15L10R	10.0	0.15	1.93		3.93	3.13	19				11.5	28.5	•	•	
	MS442BCR15L10L	10.0	0.15	1.93		3.93	3.13	19				11.5	28.5	•	◦	
	M442BCR05L16R/L	16.0	0.05	1.95		3.95	3.45	21				18.2	35.2	•	◦	
	M442BER05L16R**	16.0	0.05	1.95		3.95	3.45	21				18.2	35.2	◦	•	
	M442BCR03L15R**	15.0	0.03	1.98		3.98	3.13	19				18.2	35.2	◦	•	
	MS442BCR15L16R	16.0	0.15	1.93		3.93	3.13	19				18.2	35.2	•	•	
	MS442BCR15L16L	16.0	0.15	1.93		3.93	3.13	19				18.2	35.2	•	◦	
	MS442BER15L16R**	16.0	0.15	1.93		3.93	3.13	19				18.2	35.2	◦	•	
	M442BCR05L21R	21.0	0.05	1.95		3.95	3.45	21				22.8	39.8	•	•	
	M442BCR05L21L	21.0	0.05	1.95		3.95	3.45	21				22.8	39.8	•	◦	
M442BER05L21R**	21.0	0.05	1.95	0.3	3.95	3.45	21		8	22.8	39.8	◦	•			
MS442BCR15L21R	21.0	0.15	1.93		3.93	3.13	19				22.8	39.8	•	•		
MS442BCR15L21L	21.0	0.15	1.93		3.93	3.13	19				22.8	39.8	•	◦		
MS442BER15L21R**	21.0	0.15	1.98		3.98	3.13	19				24.7	41.7	◦	•		
M442BCR03L25R**	25.0	0.03	1.98		3.98	3.13	19				28.7	45.7	◦	•		
M442BCR05L26R/L	26.0	0.05	1.95		3.95	3.45	21				28.7	45.7	•	◦		
MS442BCR15L26R/L	26.0	0.15	1.93		3.93	3.13	19				28.7	45.7	•	◦		
M442BCR05L30R**	30.0	0.05	1.95		3.95	3.45	21				33.7	50.7	•	◦		

** LH Tools are available upon request. | • In stock ◦ Available upon request | Inserts marked with E are available with edge prep.

Boring (con't)



* L2 Ref: Repeatability within +/-0.02

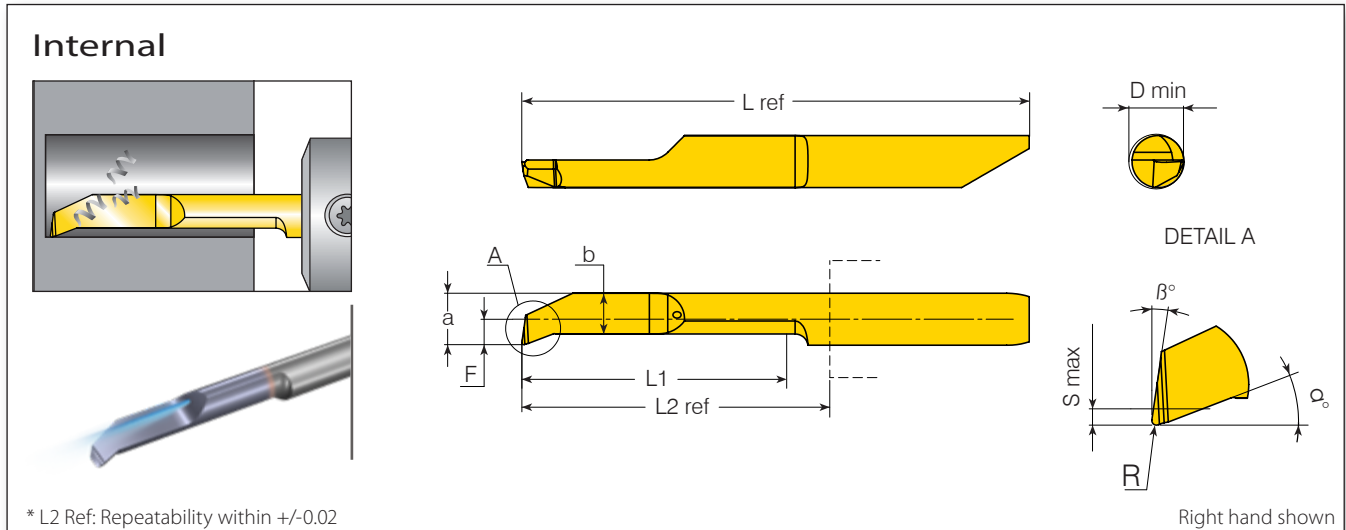
Shank Dia.	Min. Bore Dia.	Ordering Code	Dimensions mm									Grades			
d (mm)	D min. (mm)	RH/LH	L1	R	F	S max	a	b	α°	β°	L2 ref*	L ref	VBX	VTX	
5.0	5.2	M552BCR05L10R**	10.0	0.05	2.43	0.5	4.93	4.24	19	21	8	12.15	35	◦	•
		M552BCR20L10R/L	10.0	0.20	2.44		4.94	4.04	12.15			35	•	◦	
		M552BCR03L15R**	15.0	0.03	2.44		4.94	4.24	18.15			41	◦	•	
		M552BCR20L16R	16.0	0.20	2.44		4.94	4.04	18.15			41	•	•	
		M552BCR20L16L	16.0	0.20	2.44		4.94	4.04	18.15			41	•	◦	
		M552BCR05L20R**	20.0	0.05	2.43		4.93	4.24	23.15			46	•	◦	
		M552BCR20L20R**	20.0	0.20	2.44		4.94	4.04	23.15			46	•	◦	
		M552BCR20L21R/L	21.0	0.20	2.44		4.94	4.04	23.15			46	•	•	
		M552BER20L21R**	21.0	0.20	2.44		4.94	4.04	23.15			46	◦	•	
		M552BCR20L26R/L	26.0	0.20	2.44		4.94	4.04	28.15			51	•	•	
		M552BER20L26R**	26.0	0.20	2.44		4.94	4.04	28.15			51	◦	•	
		M552BCR05L30R**	30.0	0.05	2.42		4.92	4.24	32.15			55	•	•	
		M552BCR20L30R/L	30.0	0.20	2.44		4.94	4.04	32.15			55	•	◦	
		M552BCR20L35R	35.0	0.20	2.44		4.94	4.04	37.15			60	•	•	
M552BCR20L35L	35.0	0.20	2.44	4.94	4.04	37.15	60	•	◦						
6.0	6.2	M662BCR20L16R/L	16.0	0.20	2.93	0.5	5.93	4.73	22	8	18.3	42	•	◦	
		M662BCR05L20R**	20.0	0.05							23.3	47	◦	•	
		M662BCR20L21R	21.0	0.20							23.3	47	•	◦	
		M662BCR20L21L	21.0	0.20							23.3	47	•	•	
		M662BCR20L26R	26.0	0.20							28.3	52	•	•	
		M662BCR20L26L	26.0	0.20							28.3	52	•	◦	
		M662BCR05L30R**	30.0	0.05							32.3	56	◦	•	
		M662BCR20L30R/L	30.0	0.20							32.3	56	•	•	
		M662BER20L30R**	30.0	0.20							32.3	56	◦	•	
		M662BCR20L35R/L	35.0	0.20							37.3	61	•	•	
		M662BER20L35R**	35.0	0.20							37.3	61	◦	•	
M662BCR20L40R/L	40.0	0.20	42.3	66	•	◦									
7.0	7.2	M772BCR10L15R**	15.0	0.10	3.44	0.5	6.94	5.74	22	8	16.4	41	◦	•	
		M772BCR20L15R/L	15.0	16.4							41	•	◦		
		M772BCR20L25R	25.0	26.4							51	•	•		
		M772BCR20L25L	25.0	26.4							51	•	◦		
		M772BCR20L30R**	30.0	31.4							56	◦	•		
		M772BCR20L35R/L	35.0	0.20							36.4	61	•	◦	
		M772BCR20L40R/L	40.0	41.4							66	•	•		
		M772BER20L40R**	40.0	41.4							66	◦	•		
		M772BCR20L45R/L	45.0	46.4							71	•	•		
		M772BER20L45R**	45.0	46.4							71	◦	•		
		M772BCR20L50R/L	50.0	51.4							76	•	◦		

** LH Tools are available upon request.

• In stock ◦ Available upon request

Inserts marked with E are available with edge prep.

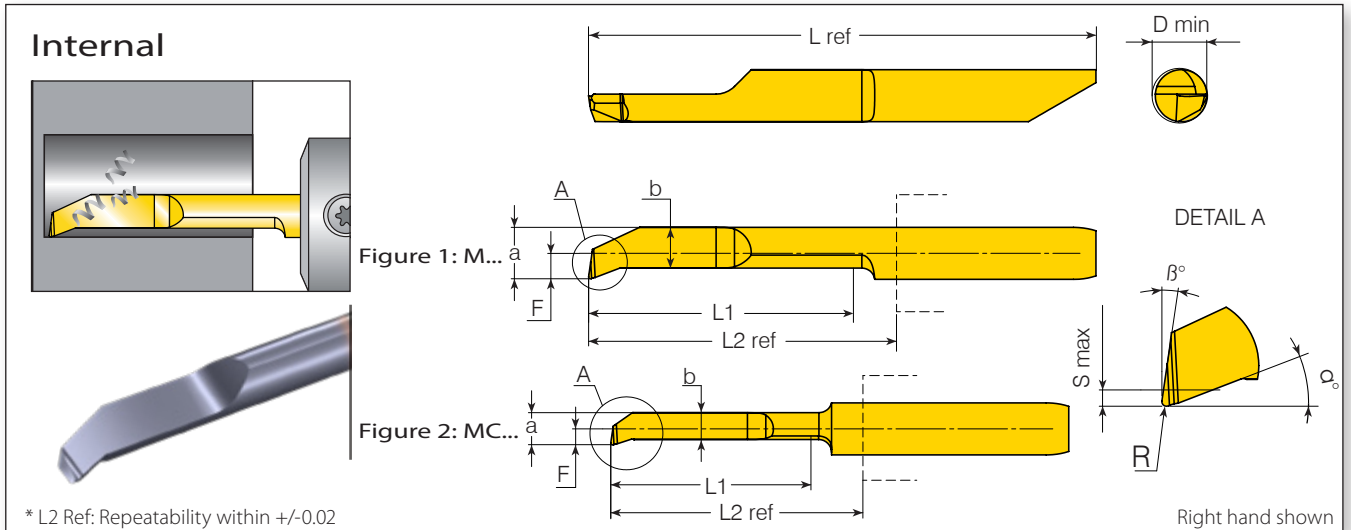
Boring with Chip Breaker with High Pressure Coolant



Shank Dia.	Min. Bore Dia.	Ordering Code	Dimensions mm								Grades			
d (mm)	D min. (mm)	RH/LH	L1	R	F	S max	a	b	α°	β°	L2 ref*	L ref	VBX	VTX
4.0	4.2	M442BCBR15L20RC	20	0.15	1.95	0.3	3.95	3.13			22.8	39.8	○	●
5.0	5.2	M552BCBR20L15RC	15		2.44		4.94	4.04	21	8	18.15	41	○	●
		M552BCBR20L25RC	25	0.2	2.44	0.5	4.94	4.04			28.15	51	○	●
6.0	6.2	M662BCBR20L30RC	30		2.93		5.93	4.73	22		32.3	56	○	●

● In stock ○ Available upon request
 | All tools are available in LH upon request.

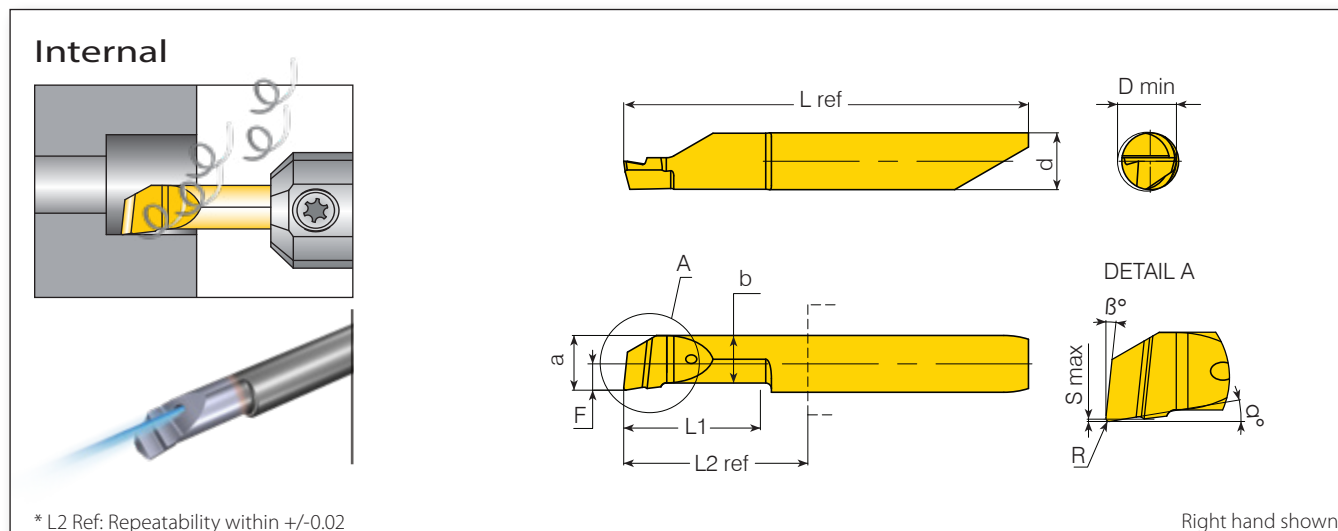
Boring with Chip Breaker



Shank Dia.	Min. Bore Dia.	Ordering Code	Dimensions mm										Grades		
d (mm)	D min. (mm)	RH/LH	L1	R	F	S max	a	b	α°	β°	L2 ref*	L ref	VBX	VTX	
4.0	2.2	MC422BCBR10L14R	14	0.1	1.04		2.04	1.76	18	8	18.2	35.2	•	◦	
	2.7	MC427BCBR15L15R		0.15	1.22		2.47	2.06			18.2	35.2	•	◦	
		MC427BCBR05L15R	15	0.05	1.22		2.47	2.06			18.2	35.2	•	◦	
	3.2	MC432BCBR05L15R		0.05	1.43		2.90	2.45			18.2	35.2	•	◦	
		MC432BCBR15L15R		0.15	1.43	0.2	2.90	2.45			18.2	35.2	•	•	
		MC432BCBR05L20R	20	0.05	1.43		2.90	2.45			22.8	39.8	•	◦	
	3.7	MC432BCBR15L20R		0.15	1.43		2.90	2.45	22.8	39.8	•	◦			
		MC437BCBR15L15R	15	0.15	1.77		3.47	3.05	18.2	35.2	•	◦			
	4.2	MC437BCBR15L20R	20	0.15	1.77		3.47	3.05	22.8	39.8	•	◦			
		M442BCBR15L12R		12	0.15	1.95		3.95	3.13	21	8	15.2	32.2	◦	•
		M442BCBR05L15R		15	0.05	1.95		3.95	3.13			18.2	35.2	•	◦
		M442BCBR15L15R		15	0.15	1.95	0.3	3.95	3.13			18.2	35.2	•	◦
M442BCBR05L20R			20	0.05	1.95		3.95	3.13	22.8			39.8	•	◦	
M442BCBR15L20R		20	0.15	1.95		3.95	3.13	22.8	39.8			•	◦		
5.0	5.2	M552BCBR20L20R	20		2.44		4.94	4.04	22	8	23.15	46	•	•	
		M552BCBR20L25R	25		2.44		4.94	4.04			28.15	51	•	◦	
6.0	6.2	M662BCBR20L30R	30		2.93		5.93	4.73	22	8	32.3	56	•	◦	
		M662BCBR20L35R	35	0.2	2.93	0.5	5.93	4.73			37.3	61	•	◦	
7.0	7.2	M772BCBR20L40R	40		3.44		6.94	5.74	22	8	41.4	66	•	◦	
		M772BCBR20L45R	45		3.44		6.94	5.74			46.4	71	•	◦	

• In stock ◦ Available upon request
 | All tools are available in LH upon request.

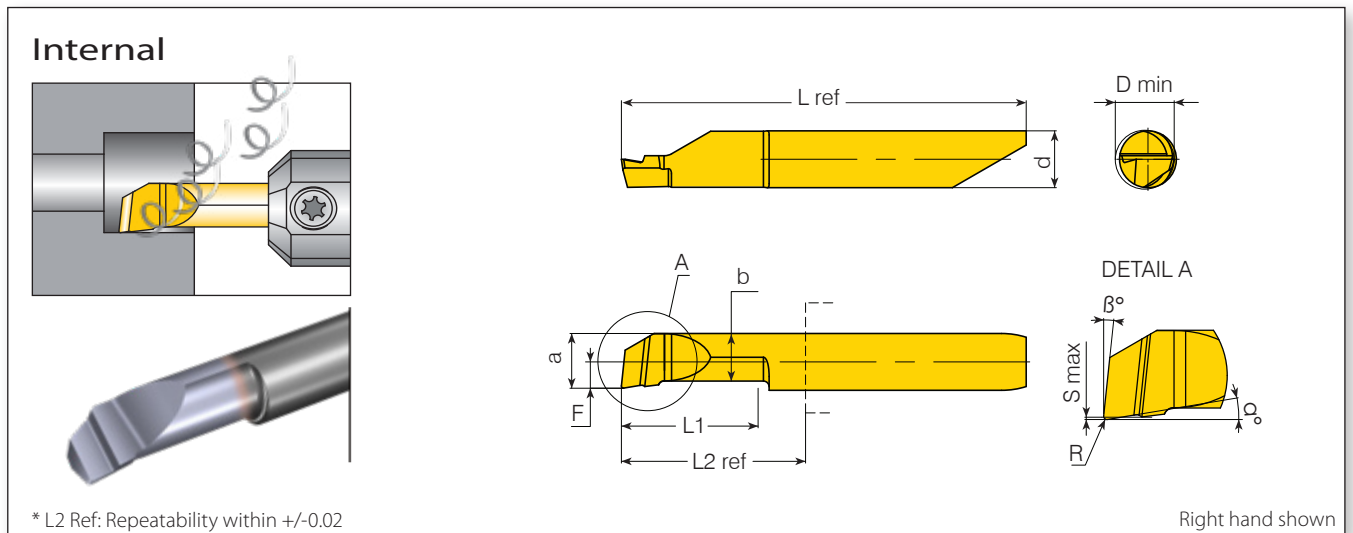
Boring with Chip Former with High Pressure Coolant



Shank Dia.	Min. Bore Dia.	Ordering Code	Dimensions mm									Grades		
d (mm)	D min. (mm)	RH/LH	L1	R	F	S max	a	b	α°	β°	L2 ref*	L ref	VBX	VTX
4.0	4.2	M442BCFR15L10RC	10.0	0.15	1.85	0.05	3.85	3.35	7.5	6	11.50	28.5	o	•

• In stock o Available upon request
 | All tools are available in LH upon request.

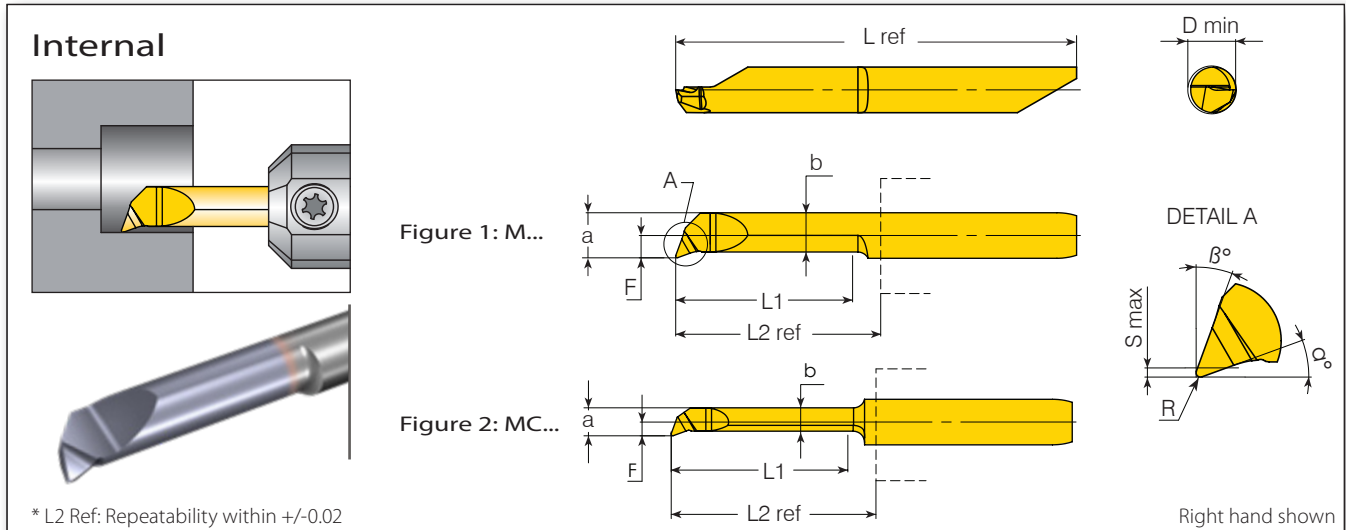
Boring with Chip Former



Shank Dia.	Min. Bore Dia.	Ordering Code	Dimensions mm										Grades	
d (mm)	D min. (mm)	RH/LH	L1	R	F	S max	a	b	α°	β°	L2 ref*	L ref	VBX	VTX
4.0	4.2	MS442BCFR15L10R	10.0	0.15							11.50	28.5	•	•
		MS442BCFR15L10L	10.0	0.15							11.50	28.5	•	◦
		M442BCFR20L10R	10.0	0.20							11.50	28.5	◦	•
		MS442BCFR15L15R	15.0	0.15	1.85		3.85	3.35			18.20	35.2	•	•
		MS442BCFR15L15L	15.0	0.15							18.20	35.2	•	◦
		MS442BCFR15L20R	20.0	0.15							22.80	39.8	•	•
		MS442BCFR15L20L	20.0	0.15						22.80	39.8	•	◦	
5.0	5.2	M552BCFR20L10R	10.0								12.15	35.0	•	•
		M552BCFR20L15R	15.0							18.15	41.0	•	•	
		M552BCFR20L20R	20.0								23.15	46.0	•	•
		M552BCFR20L20L	20.0		2.35		4.85	4.25			23.15	46.0	•	◦
		M552BCFR20L25R	25.0								28.15	51.0	•	•
		M552BCFR20L30R	30.0			0.05			9.47	6	32.15	55.0	•	•
6.0	6.2	M662BCFR20L15R	15.0								18.30	42.0	•	•
		M662BCFR20L20R	20.0								23.30	47.0	•	•
		M662BCFR20L20L	20.0								23.30	47.0	•	◦
		M662BCFR20L25R	25.0	0.2	2.85		5.85	5.1			28.30	52.0	•	•
		M662BCFR20L30R	30.0								32.30	56.0	•	•
		M662BCFR20L30L	30.0								32.30	56.0	•	◦
		M662BCFR20L35R	35.0							37.30	61.0	•	•	
7.0	7.2	M772BCFR20L15R	15.0								16.40	41.0	•	•
		M772BCFR20L20R	20.0								26.40	51.0	•	◦
		M772BCFR20L25R	25.0								26.40	51.0	•	◦
		M772BCFR20L30R	30.0		3.4		6.9	6.1			36.40	61.0	•	◦
		M772BCFR20L35R/L	35.0								36.40	61.0	•	◦
		M772BCFR20L40R	40.0							41.40	66.0	•	◦	

- In stock ◦ Available upon request
- All tools are available in LH upon request.

Boring 20°

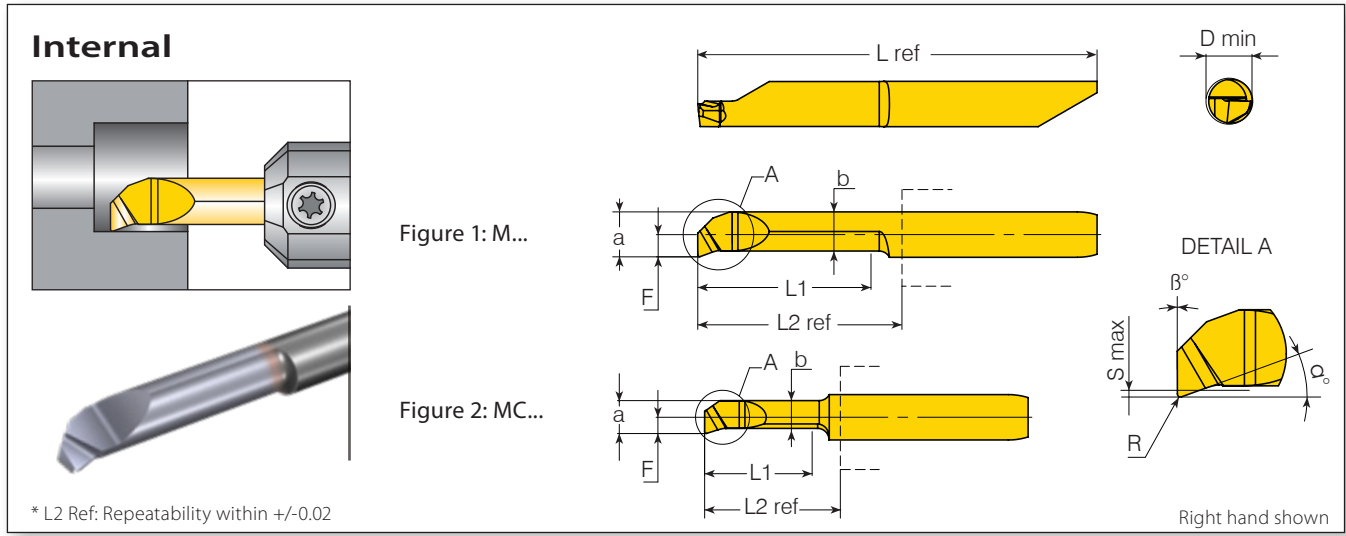


* L2 Ref: Repeatability within +/-0.02

Shank Dia.	Min. Bore Dia.	Ordering Code	Dimensions mm										Grades	
d (mm)	D min. (mm)	RH/LH	L1	R	F	S max	a	b	α°	β°	L2 ref*	L ref	VBX	VTX
4.0	2.2	MC422B20R10L09R	9.0	0.1	0.95		1.95	1.55	20	20	11.5	28.5	•	◦
		MC427B20R15L10R	10.0										•	•
	2.7	MC427B20R15L16R	16.0	0.15	1.2	0.2	2.45	2.05			18.2	35.2	•	◦
		MC427B20R15L16L	16.0										◦	•
	3.2	MC432B20R15L10R	10.0	0.15	1.45		2.95	2.55			11.5	28.5	•	•
		MC432B20R15L16R/L	16.0										•	•
		M442B20R15L16R	16.0										•	•
		M442B20R15L21R/L	21.0										•	•
4.2	M442B20R15L16R	16.0	0.15	1.95	0.3	3.95	3.45	18.2	35.2	•	•			
	M442B20R15L21R/L	21.0								•	•			

• In stock ◦ Available upon request
 | All tools are available in LH upon request.

Boring 90°

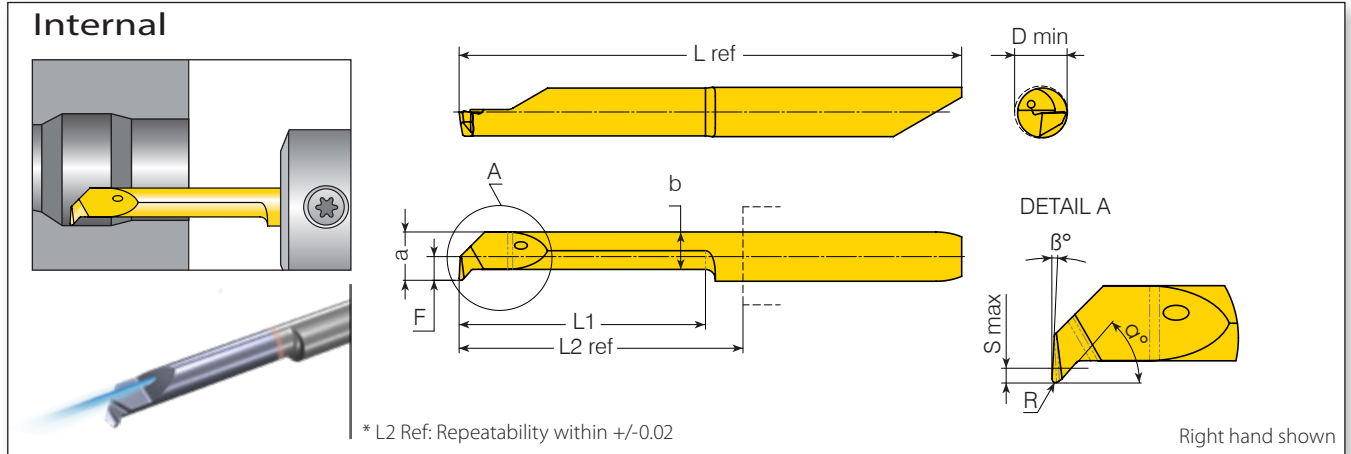


* L2 Ref: Repeatability within +/-0.02

Shank Dia.	Min. Bore Dia.	Ordering Code	Dimensions mm										Grades	
d (mm)	D min. (mm)	RH/LH	L1	R	F	S max	a	b	α°	β°	L2 ref*	L ref	VBX	VTX
4.0	3.2	MC432B90R15L10R	10.0	0.15	1.43	0.2	2.90	2.45	18	0	11.5	25.8	•	◦
		MC432B90R15L10L	10.0										•	•
	4.2	M442B90R15L16R/L	16.0	1.95	0.3	3.95	3.45	18.2			35.2	•	◦	
5.0	5.2	M552B90R20L10R/L	10.0	0.2	2.44	0.5	4.94	4.2	20	0	12.15	35	•	◦
		M552B90R20L16R/L	16.0								18.15	41	•	◦
		M552B90R20L21R/L	21.0								23.15	46	•	◦

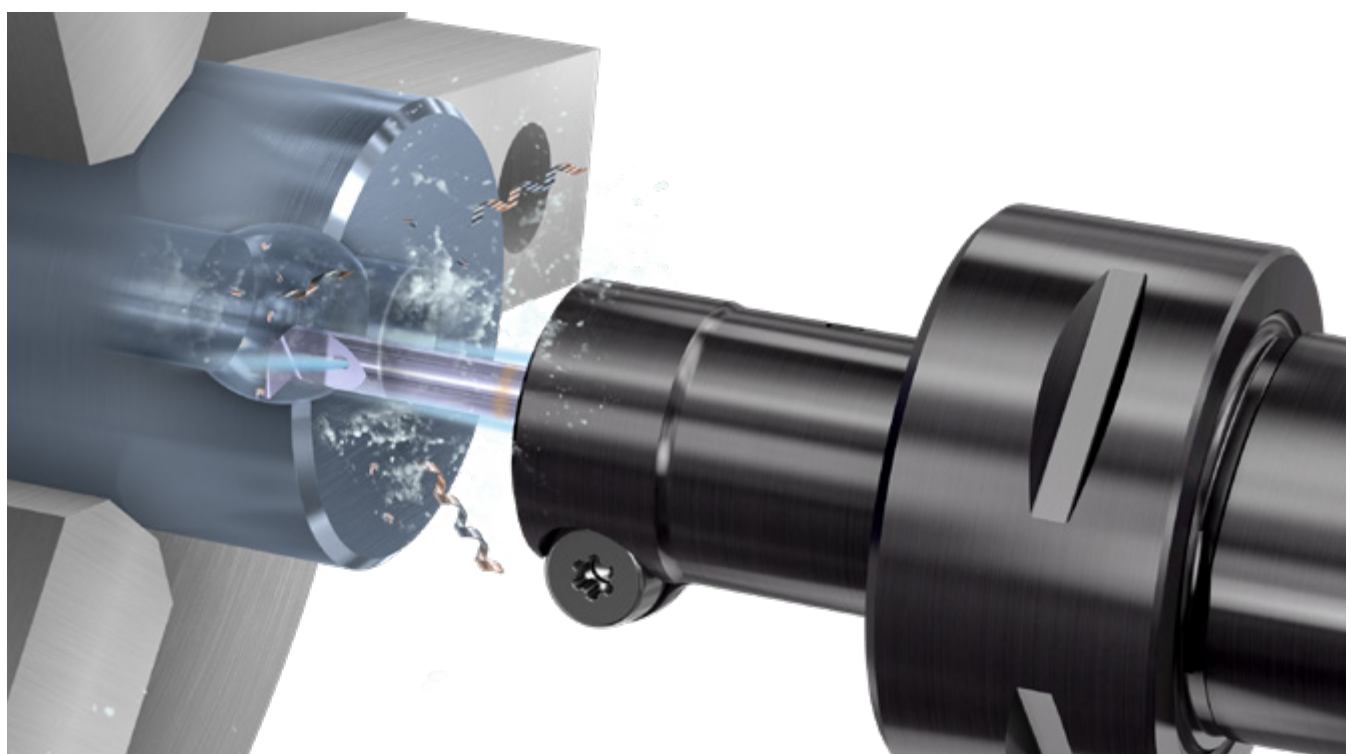
• In stock ◦ Available upon request

Boring & Profiling with Chip Breaker & High Pressure Coolant (CBLF)

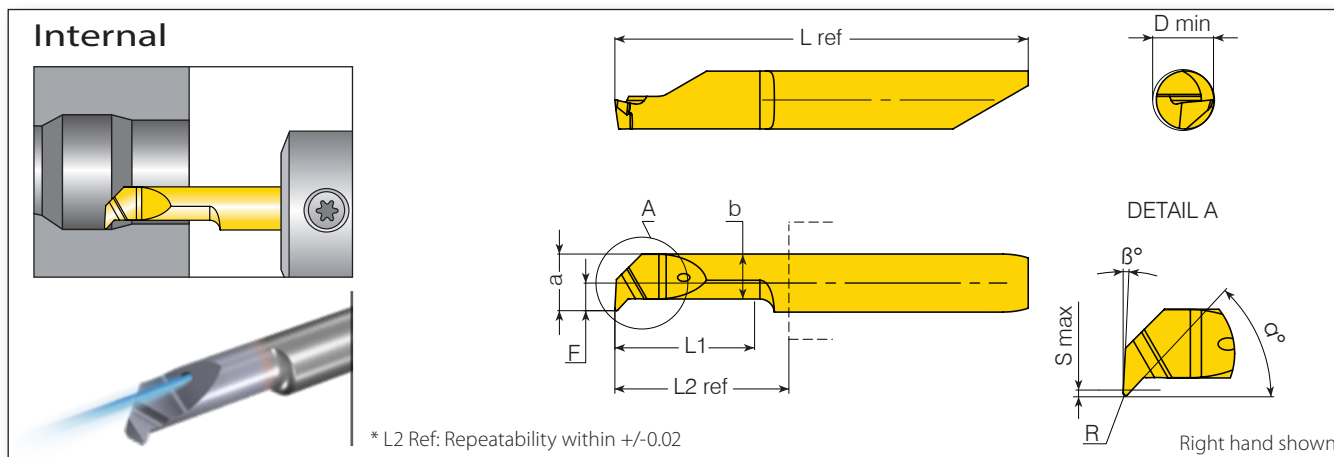


Shank Dia.	Min. Bore Dia.	Ordering Code	Dimensions mm										Grades	
d (mm)	D min. (mm)	RH/LH	L1	R	F	S max	a	b	α°	β°	L2 ref*	L ref	VBX	VTX
4.0	4.2	M442CBLFR15 L10R/LC	10								11.5	28.5	o	•
		M442CBLFR15L16R/LC	16	0.15	1.9	0.7	3.9	3.1	47		18.2	35.2	o	•
		M442CBLFR15L21R/LC	21								22.8	39.8	o	•
5.0	5.2	M552CBLFR20L16R/LC	16	0.2	2.4	0.95	4.9	3.8	49	3	18.15	41	o	•
		M552CBLFR20L25R/LC	25								28.15	51	o	•
6.0	6.2	M662CBLFR20L16R/LC	16								18.3	42	o	•
		M662CBLFR20L21R/LC	21	0.2	2.78	1.75	5.8	3.9	49		23.3	47	o	•
		M662CBLFR20L30R/LC	30								32.3	56	o	•

• In stock ◦ Available upon request
 Inserts marked with C are available with internal coolant.



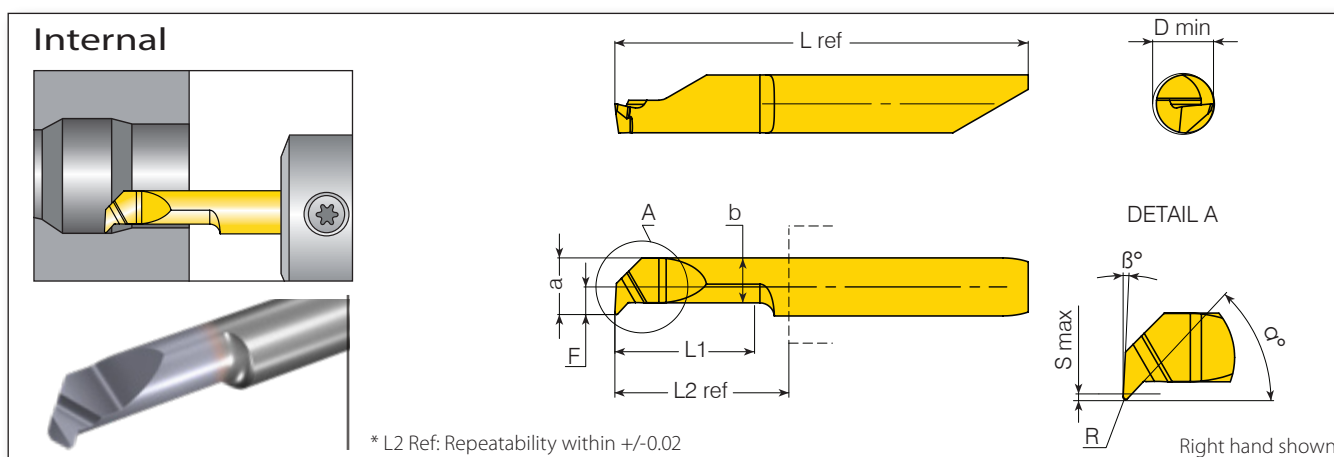
Boring & Profiling (CL) with High Pressure Coolant



Shank Dia.	Min. Bore Dia.	Ordering Code	Dimensions mm								Grades			
d (mm)	D min. (mm)	RH/LH	L1	R	F	S max	a	b	α°	β°	L2 ref*	L ref	VBX	VTX
4.0	4.2	M442CLR15L10RC	10	0.15	1.9	0.7	3.9	3.1	47	3	11.5	28.5	o	•
		M442CLR15L21RC	21								18.2	35.2	o	•
5.0	5.2	M552CLR20L25RC	25	0.2	2.4	0.95	4.9	3.8	49		28.15	51	o	•

• In stock ◦ Available upon request

Boring & Profiling (CL)



Shank Dia.	Min. Bore Dia.	Ordering Code	Dimensions mm								Grades					
d (mm)	D min. (mm)	RH/LH	L1	R	F	S max	a	b	α°	β°	L2 ref*	L ref	VBX	VTX		
4.0	4.2	MS442CLR10L10R	10	0.10							11.5	28.5	•	o		
		MS442CLR15L10R	10								11.5	28.5	•	•		
		MS442CLR15L10L	10									11.5	28.5	•	o	
		MS442CLR15L16R/L	16	0.15	1.9	0.7	3.9	3.1	47			18.2	35.2	•	o	
		MS442CLR15L21R	21									22.8	39.8	•	•	
				MS442CLR15L21L	21								22.8	39.8	•	o
5.0	5.2	M552CLR07L07R	7	0.07	2.4	0.95	4.9	3.75	49		18.2	35.2	o	•		
		M552CLR20L16R	16								3	18.15	41	•	•	
		M552CLR20L16L	16	0.2	2.4	0.95	4.9	3.8	49				18.15	41	•	o
		M552CLR20L25R	25										28.15	51	•	•
				M552CLR20L25RL	25								28.15	51	•	o
6.0	6.2	M662CLR10L16R	16	0.1	2.78	1.75	5.78	3.9			18.3	42	o	•		
		M662CLR20L16R	16								3	18.3	42	•	•	
		M662CLR20L16L	16	0.2	2.78	1.75	5.78	3.9	49				18.3	42	•	o
		M662CLR20L21R/L	21										23.3	47	•	o
		M662CLR20L30R/L	30								32.3	56	•	o		

• In stock ◦ Available upon request

Back Boring

Internal

* L2 Ref: Repeatability within +/-0.03

Right hand shown

Shank Dia.	Min. Bore Dia.	Ordering Code	Dimensions mm										Grades		
d (mm)	D min. (mm)	RH/LH	L1	R	F	S max	a	b	α°	β°	L2 ref*	L3	L ref	VBX	VTX
4.0	4.2	M442BBR15L25R/L	25.0	0.15	1.95	0.8	3.95	2.6	30	6	26.4	2.30	45.7	•	◦
5.0	5.2	M552BBR15L30R/L	30.0		2.45	1.0	4.95	3.8		7	29.85		55.0	•	◦
6.0	6.2	M662BBR15L30R/L	30.0		2.95	1.8	5.95	4.0		7	29.8	56.0	•	◦	
7.0	7.2	M772BBR15L30R/L	30.0		3.45	2.5	6.95	4.3		7	34	61.0	•	◦	

• In stock ◦ Available upon request

Boring & Chamfering 45°

Internal

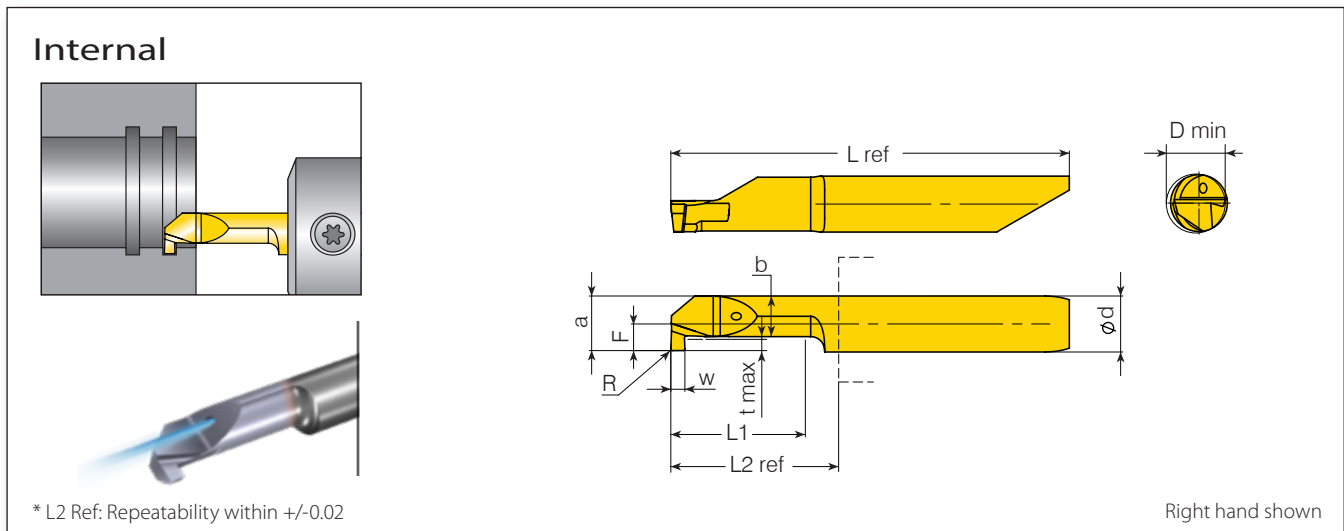
* L2 Ref: Repeatability within +/-0.02

Right hand shown

Shank Dia.	Min. Bore Dia.	Ordering Code	Dimensions mm										Grades	
d (mm)	D min. (mm)	RH/LH	L1	R	F	S max	a	b	α°	L2 ref*	L ref	VBX	VTX	
4.0	4.2	MS442CH4545L15R/L	15.0	0.2	1.95	0.7	3.95	2.8	45	18.4	35.4	•	◦	
5.0	5.2	M552CH4545L15R/L	15.0		2.45		4.95	3.7		18.35	41.2	•	◦	
		M552CH4545L20R/L	20.0		2.45		4.95	3.7		23.35	46.2	•	◦	
6.0	6.2	M662CH4545L20R/L	20.0		2.95		5.95	4.0		23.5	47.2	•	◦	
		M662CH4545L25R/L	25.0	2.95	5.95	4.0	28.5	52.2	•	◦				
7.0	7.2	M772CH4545L20R/L	20.0	3.45	6.95	4.25	26.6	51.2	•	◦				
		M772CH4545L40R/L	40.0				41.6	66.2	•	◦				

• In stock ◦ Available upon request

Square Grooving with High Pressure Coolant



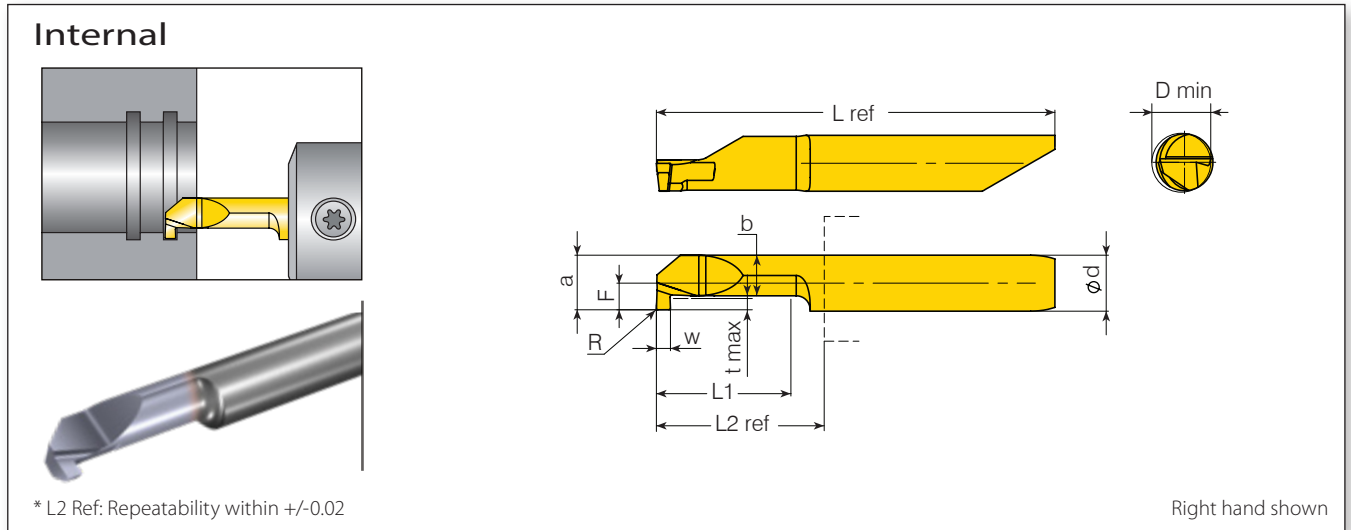
Shank Dia.	Min. Bore Dia.	Ordering Code	Dimensions mm										Grades	
d (mm)	D min. (mm)	RH/LH	W ± 0.025	t max	L1	F	R	a	b	L2 ref*	L ref	VBX	VTX	
4.0	4.2	M442GSW100L10RC**	1.00	0.8	10	1.90	0.1	3.90	2.9	11.5	28.5	◦	●	
		M442GSW100L15RC**	1.00	0.8	15	1.90	0.1	3.90	2.9	18.2	35.2	◦	●	
		M442GSW100L20RC**	1.00	0.8	20	1.90	0.1	3.90	2.9	22.8	39.8	◦	●	
5.0	5.2	M552GSW100L10RC**	1.00	1	10	2.40	0.1	4.90	3.7	12.15	35	◦	●	
		M552GSW100L15RC**	1.00	1	15	2.40	0.1	4.90	3.7	18.15	41	◦	●	
		M552GSW150L15RC**	1.50	1	15	2.40	0.1	4.90	3.7	18.15	41	◦	●	
		M552GSW150L20RC**	1.50	1	20	2.40	0.1	4.90	3.7	23.15	46	◦	●	

** LH Tools are available upon request.

● In stock ◦ Available upon request

Inserts marked with C are available with internal coolant.

Square Grooving



Shank Dia.	Min. Bore Dia.	Ordering Code	Dimensions mm										Grades	
d (mm)	D min. (mm)	RH/LH	W ^{±0.025}	t max	L1	F	R	a	b	L2 ref*	L ref	VBX	VTX	
4.0	3.0	MS430GSW070L16R	0.70	0.62	16	1.40	0.1	2.70	1.75	11.5	39.8	○	●	
	4.0	MS440GSW100L10R	1.00	1	10	1.90	0	3.90	2.5	18.2	35.2	○	●	
	4.2	MS442GSW079L10R/L	0.79	0.8	10	1.96	0.1	3.96	2.9	11.5	28.5	28.5	●	○
		MS442GSW100L10R/L	1.00			1.90	0.1	3.90	2.9	11.5	28.5	28.5	●	○
		MS442GSW150L10R**	1.50			0.1	2.9	18.2	35.2	●	○			
		MS442GSW079L15R/L	0.79			15	1.96	0.1	3.96	2.9	18.2	35.2	●	○
		MS442GSW100L15R/L	1.00			1.90	0.1	3.90	2.9	18.2	35.2	●	○	
		MS442GSW100L20R/L	1.00			20	1.90	0.1	3.90	2.9	22.8	39.8	●	○
MS442GSW079L25R/L	0.79	25	1.96	0.1	3.96	2.9	28.7	45.7	●	○				
5.0	5.2	M552GSW070L06L	0.70	1	6	2.40	0.1	4.90	3.7	12.15	32	○	●	
		M552GSW100L10R/L	1.00	1	10	2.40	0.1	4.90	3.7	12.15	35	●	○	
		M552GSW179L10R	1.79	1.35	10	2.40	0.1	4.90	3.7	12.15	35	○	●	
		M552GSW150L10R**	1.50	1	10	2.40	0.1	4.90	3.7	12.15	35	●	○	
		M552GSW200L10R**	2.00	1	10	2.40	0.1	4.90	3.7	12.15	35	●	○	
		M552GSW100L15R/L	1.00	1	15	2.40	0.1	4.90	3.7	18.15	41	●	○	
		M552GSW150L15R/L	1.50	1	15	2.40	0.1	4.90	3.7	18.15	41	●	○	
		M552GSW200L15R**	2.00	1	15	2.40	0.1	4.90	3.7	18.15	41	●	○	
		M552GSW100L20R/L	1.00	1	20	2.40	0.1	4.90	3.7	23.15	46	●	○	
		M552GSW150L20R/L	1.50	1	20	2.40	0.1	4.90	3.7	23.15	46	●	○	
		M552GSW200L20R**	2.00	1	20	2.40	0.1	4.90	3.7	23.15	46	●	○	
		M552GSW050L21R	0.50	1	21	2.40	0.1	4.90	3.7	23.15	46	○	●	
6.0	5.2	M652GSW160L10R	1.60	1.8	10	2.20	0.1	5.20	2.9	12.3	36	○	●	
	6.2	M662GSW150L06R	1.50	1.8	6	0.40	0.1	3.40	1.7	12.3	40	○	●	
		M662GSW080L09R	0.80	1.8	9	2.96	0.1	5.96	4	11.3	35	○	●	
		M662GSW079L10R**	0.79			2.90		5.90		12.3	36	●	○	
		M662GSW100L10R/L	1.00			2.90		5.90		12.3	36	●	○	
		M662GSW117L10R**	1.17			2.90		5.90	4.0	12.3	36	●	○	
		M662GSW150L10R	1.50			2.90		5.90		12.3	36	●	○	
		M662GSW150L10L	1.50		10	2.90		5.90		12.3	36	○	●	
		M662GSW157L10R**	1.57	1.8		2.90	0.1	5.94		12.3	36	●	○	
		M662GSW198L10R**	1.98			2.90		5.94		12.3	36	●	○	
		M662GSW200L10R/L	2.00			2.90		5.90		12.3	36	●	○	
		M662GSW079L15R**	0.79			2.90		5.94	4.0	18.3	42	●	○	
		M662GSW100L15R	1.00		15	2.90		5.90		18.3	42	●	●	
		M662GSW100L15L	1.00			2.90		5.90		18.3	42	●	○	

** LH Tools are available upon request.
 | ● In stock ○ Available upon request

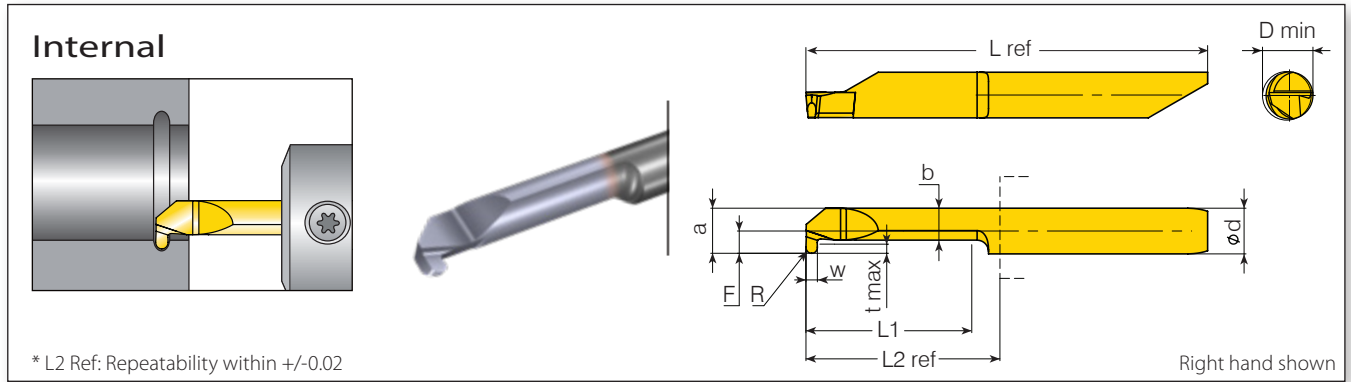
Square Grooving (con't)

Shank Dia.	Min. Bore Dia.	Ordering Code	Dimensions mm										Grades												
d (mm)	D min. (mm)	RH/LH	W \pm 0.025	t max	L1	F	R	a	b	L2 ref*	L ref	VBX	VTX												
6.0	6.2	M662GSW117L15R**	1.17	1.8	15	2.96	0.1	5.96	4.0	18.3	42	●	○												
		M662GSW150L15R/L	1.50									●	○												
		M662GSW157L15R**	1.57									●	○												
		M662GSW198L15R**	1.98									●	○												
		M662GSW200L15R	2.00									●	●												
		M662GSW200L15L	2.00									●	○												
		M662GSW100L20R	1.00									20	2.90	5.90	23.3	47	●	●							
		M662GSW100L20L	1.00														●	○							
		M662GSW150L20R/L	1.50									20	2.90	5.90	23.3	47	4.0	●	○						
		M662GSW200L20R	2.00														4.0	●	●						
		M662GSW200L20L	2.00	4.0	●	○																			
		M662GSW079L25R**	0.79	1.8	25	2.96	0.1	5.96	4.0	28.3	52	56	●	○											
		M662GSW100L25R	1.00										2.90	5.90	3.1	56	○	●							
		M662GSW117L25R**	1.17										2.96	5.96	4.0	52	●	○							
		M662GSW157L25R**	1.57										2.96	5.96	4.0	52	●	○							
		M662GSW198L25R**	1.98										2.96	5.96	4.0	52	●	○							
		M662GSW200L25R	2.00										2.90	5.90	3.2	56	○	●							
		M665GSW350L25R	3.50										2.96	5.96	4.0	52	○	●							
		M662GSW100L30R/L	1.00										30	2.90	5.90	32.3	56	4.0	●	○					
		M662GSW150L30R/L	1.50															4.0	●	○					
M662GSW200L30R/L	2.00	4.0	●															○							
M662GSW079L35R**	0.79	1.8	35	2.96	0.1	5.96	4.0	37.3	61	59.85	61	○	●												
M662GSW117L35R**	1.17													2.96	5.96	4.0	61	●	○						
M662GSW150L35R	1.50													2.95	5.90	3.95	61	○	●						
M662GSW157L35R**	1.57													2.96	5.96	4.0	61	●	○						
M772GSW250L15R	2.50													15	3.40	6.90	4.1	18.3	42	○	●				
M772GSW079L10R**	0.79	10	3.40	6.90	11.4	36	11.4	36	16.4	41	41	○	●												
M772GSW100L10R/L	1.00													●	○										
M772GSW150L10R/L	1.50													●	○										
M772GSW200L10R/L	2.00													●	○										
M772GSW600L10R	6.00	10	3.20	6.90	11.4	36	11.4	36	○	●															
M772GSW079L15R**	0.79	2.5	15	3.40	0.1	6.90	4.1	16.4	41	16.4	41	●	○												
M772GSW100L15R**	1.00													3.46	6.90	●	○								
M772GSW117L15R**	1.17													3.46	6.90	●	○								
M772GSW150L15R/L	1.50													3.40	6.90	●	○								
M772GSW157L15R**	1.57													3.46	6.90	●	○								
M772GSW198L15R**	1.98													3.46	6.90	●	○								
M772GSW200L15R/L	2.00													3.40	6.90	●	○								
M772GSW150L16R	1.50													16	3.4	6.90	4.1	17.4	42	○	●				
M772GSW079L20R**	0.79													20	3.46	6.96	26.4	51	51	51	51	51	51	●	○
M772GSW117L20R**	1.17																								
M772GSW157L20R**	1.57	3.46	6.96	●	○																				
M772GSW198L20R**	1.98	3.46	6.96	●	○																				
M772GSW150L20R	1.50	3.40	6.90	46	○	●																			
M772GSW100L25R**	1.00	25	3.40	6.90	26.4	51	51	51	51	51	51	●	○												
M772GSW150L25R/L	1.50													51	●	○									
M772GSW200L25R/L	2.00													51	●	○									
M772GSW100L35R**	1.00													35	3.40	6.90	36.4	61	61	61	61	61	●	○	
M772GSW150L35R/L	1.50	61	●	○																					
M772GSW200L35R/L	2.00	61	●	○																					

** LH Tools are available upon request.

● In stock ○ Available upon request

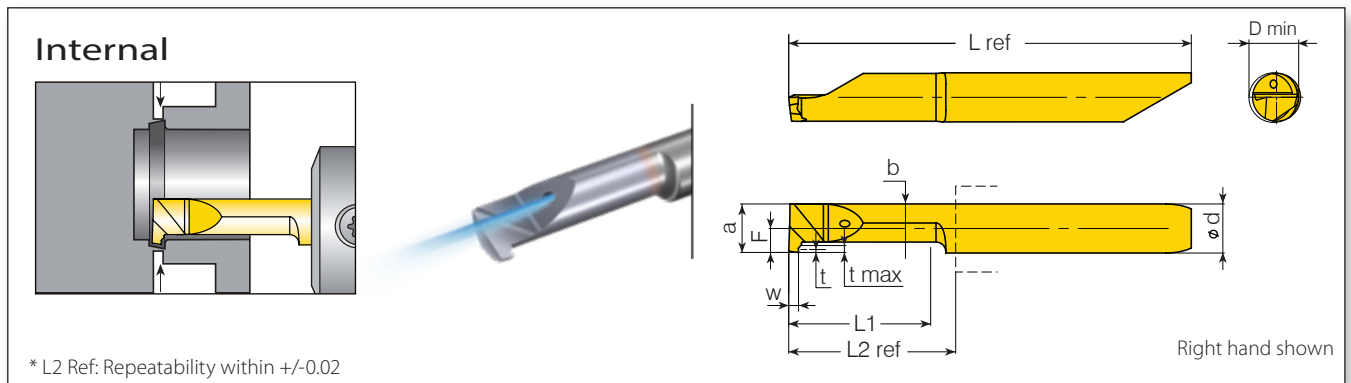
Round Grooving



Shank Dia.	Min. Bore Dia.	Ordering Code	Dimensions mm										Grades	
d (mm)	D min. (mm)	RH/LH	W ± 0.025	t max	L1	F	R	a	b	L2 ref*	L ref	VBX	VTX	
4.0	4.2	MS442GRR050L15R/L	1.0	0.8	15	1.95		3.95	2.8	18.2	35.2	•	◦	
5.0	5.2	M552GRR050L20R**	1.0				0.5					•	•	
		M552GRR050L20L	1.0	1	20	2.45		4.95	3.7	23.15	46	•	◦	
		M552GRR075L20R/L	1.5				0.75						•	◦
		M552GRR100L20R/L	2.0				1						•	◦
6.0	6.2	M662GRR100L05R**	2.0		5							◦	•	
		M662GRR050L15R**	0.5	1.6	15	2.95	1	5.95	4	18.3	42	◦	•	
		M662GRR050L25R/L	1.0				0.5						•	◦
		M662GRR075L25R/L	1.5	1.8	25	2.95	0.75	5.95	4	28.3	52	•	◦	
		M662GRR100L25R/L	2.0				1						•	◦
7.0	7.2	M772GRR050L30R**	1	2.5	30	3.45	0.5	6.95	4.15	36.4	51	◦	•	
		M772GRR100L30R**	2.0	2.5	30	3.45	1	6.95	4.1	36.4	61	•	◦	

** LH Tools are available upon request.
 | • In stock ◦ Available upon request

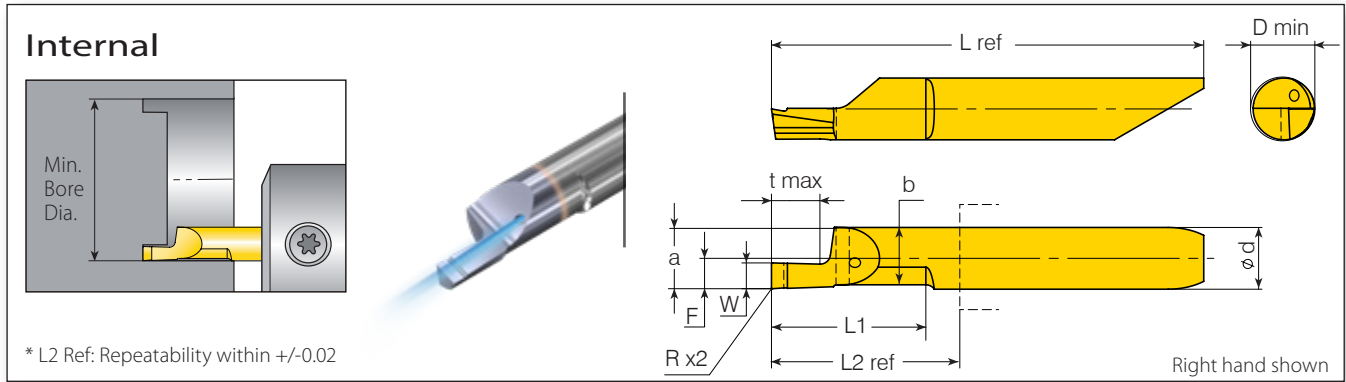
Pre-Part Off



Shank Dia.	Min. Bore Dia.	Ordering Code	Dimensions mm										Grades	
d (mm)	D min. (mm)	RH/LH	W ± 0.025	t max	L1	F	t	a	b	L2 ref*	L ref	VBX	VTX	
5.0	5.2	M552PPW100L15R/L			15					18.15	41	•	◦	
		M552PPW100L20R/L			20					23.15	46	•	◦	
		M552PPW100L20R**	1.0	0.7	20	2.44	0.3	4.94	3.88	23.15	46	◦	•	
		M552PPW100L25R/L			25						28.15	51	•	◦
		M552PPW100L30R**			30						32.15	55	•	◦

** LH Tools are available upon request.
 | • In stock ◦ Available upon request

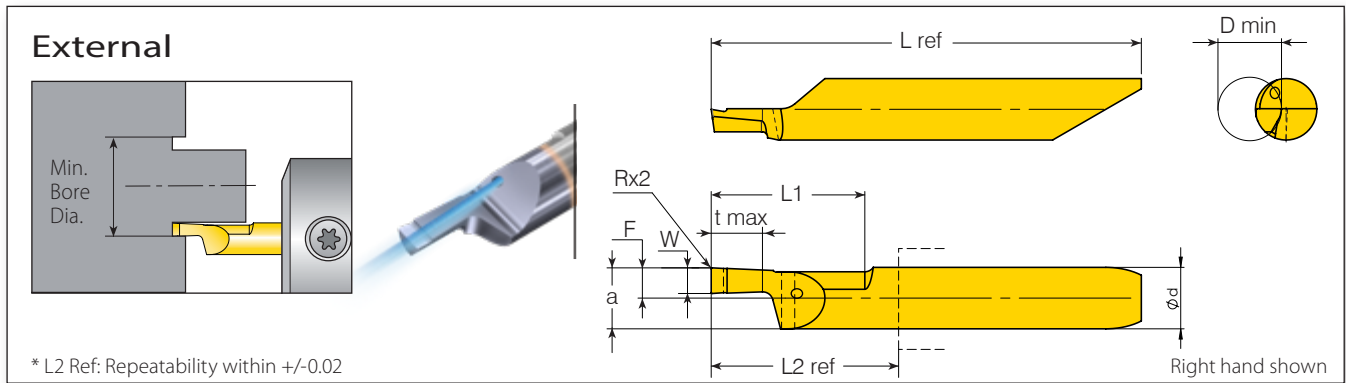
Face Grooving with High Pressure Coolant



Shank Dia.	Min. Bore Dia.	Ordering Code	Dimensions mm										Grades	
d (mm)	D min. (mm)	RH/LH	W±0.025	t max	L1	F	R	a	b	L2 ref*	L ref	VBX	VTX	
6.0	8.0	M680FGW10L15R/LC	1.00	2.0	15	2.8	0.10	5.8	5.55	18.3	42.0	○	●	
		M680FGW117L15R/LC	1.17				0.15					○	●	
		M680FGW15L15R/LC	1.50	3.0			0.10					○	●	
		M680FGW157L15R/LC	1.57				0.15					○	●	
		M680FGW198L15R/LC	1.98	4.0			0.15					○	●	
		M680FGW20L15R/LC	2.00				0.10					○	●	
		M680FGW239L15R/LC	2.39	5.0			0.15					○	●	
		M680FGW25L15R/LC	2.50				0.10					○	●	
		M680FGW30L15R/LC	3.00	6.0			0.10					○	●	
		M680FGW318L15R/LC	3.18				0.15					○	●	

● In stock ○ Available upon request

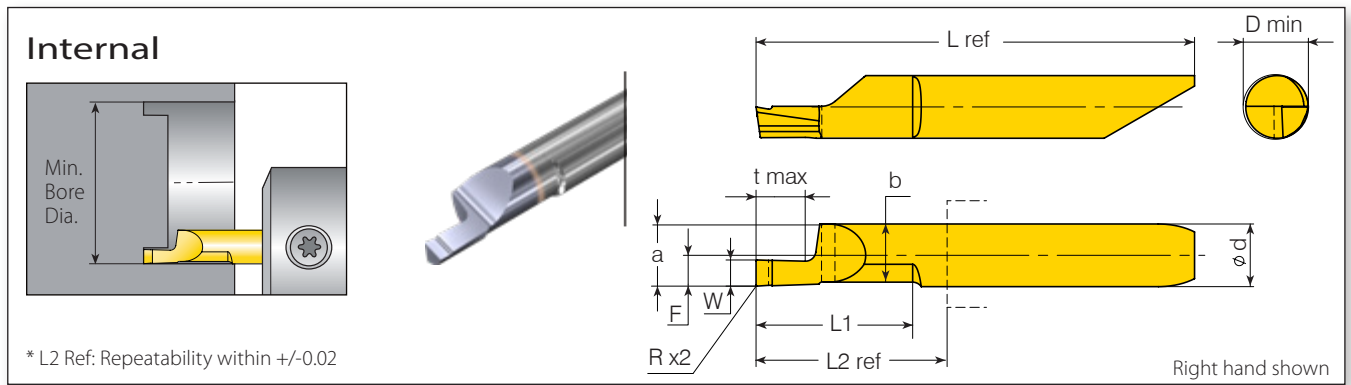
Face Grooving with High Pressure Coolant



Shank Dia.	Min. Bore Dia.	Ordering Code	Dimensions mm										Grades	
d (mm)	D min. (mm)	RH/LH	W±0.025	t max	L1	F	R	a	b	L2 ref*	L ref	VBX	VTX	
6.0	8.0	M680FPW10L15R/LC	1.00	2.0	15	2.8	0.10	5.8	5.55	18.3	42.0	○	●	
		M680FPW117L15R/LC	1.17				0.15					○	●	
		M680FPW15L15R/LC	1.50	3.0			0.10					○	●	
		M680FPW157L15R/LC	1.57				0.15					○	●	
		M680FPW198L15R/LC	1.98	4.0			0.15					○	●	
		M680FPW20L15R/LC	2.00				0.10					○	●	
		M680FPW239L15R/LC	2.39	5.0			0.15					○	●	
		M680FPW25L15R/LC	2.50				0.10					○	●	
		M680FPW30L15R/LC	3.00	6.0			0.10					○	●	
		M680FPW318L15R/LC	3.18				0.15					○	●	

● In stock ○ Available upon request

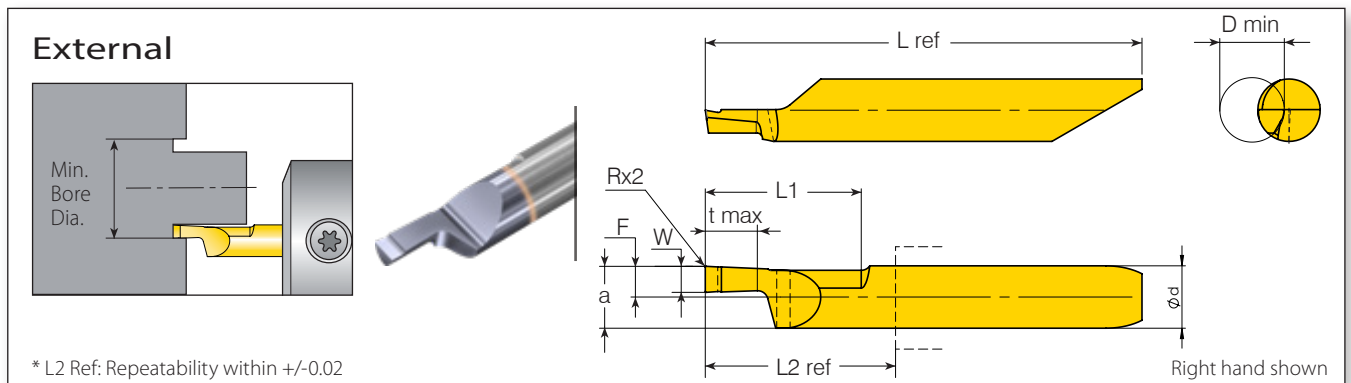
Face Grooving



Shank Dia.	Min. Bore Dia.	Ordering Code	Dimensions mm										Grades	
d (mm)	D min. (mm)	RH/LH	W \pm 0.025	t max	L1	F	R	a	b	L2 ref*	L ref	VBX	VTX	
6.0	6.2	MN662FGW10L15R/L	1.00	2.0	15	2.95	0.10	5.95	5.57	18.3	42.0	○	●	
		MN662FGW117L15R/L	1.17				0.15					○	●	
		MN662FGW15L15R/L	1.50	3.0			0.10					○	●	
		MN662FGW157L15R/L	1.57				0.15					○	●	
		MN662FGW198L15R/L	1.98	4.0			0.15					○	●	
		MN662FGW20L15R/L	2.00				0.10					○	●	
		MN662FGW239L15R/L	2.39	5.0			0.15					○	●	
		MN662FGW25L15R/L	2.50				0.10					○	●	
	MN662FGW30L15R/L	3.00	6.0	0.10			○					●		
	MN666FGW318L15R/L	3.18		0.15			○					●		
	6.6											○	●	

● In stock ○ Available upon request

Face Grooving



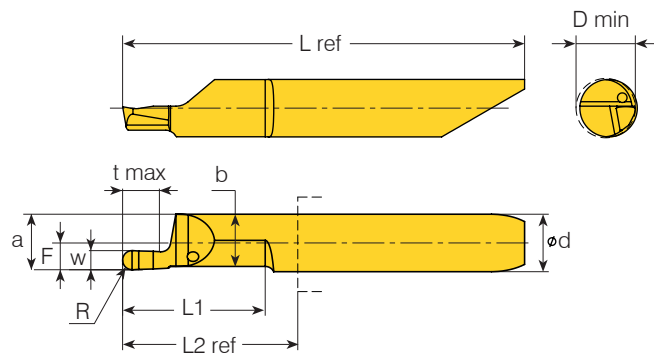
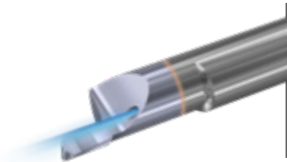
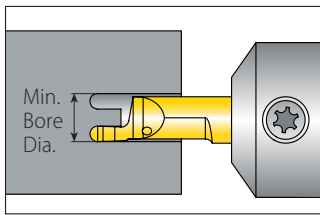
Shank Dia.	Min. Bore Dia.	Ordering Code	Dimensions mm										Grades	
d (mm)	D min. (mm)	RH/LH	W \pm 0.025	t max	L1	F	R	a	b	L2 ref*	L ref	VBX	VTX	
6.0	6.2	MN662FPW10L15R/L	1.00	2.0	15	2.95	0.10	5.95	5.57	18.3	42.0	○	●	
		MN662FPW117L15R/L	1.17				0.15					○	●	
		MN662FPW15L15R/L	1.50	3.0			0.10					○	●	
		MN662FPW157L15R/L	1.57				0.15					○	●	
		MN662FPW198L15R/L	1.98	4.0			0.15					○	●	
		MN662FPW20L15R/L	2.00				0.10					○	●	
		MN662FPW239L15R/L	2.39	5.0			0.15					○	●	
		MN662FPW25L15R/L	2.50				0.10					○	●	
	MN662FPW30L15R/L	3.00	6.0	0.10			○					●		
	MN666FPW318L15R/L	3.18		0.15			○					●		
	6.6											○	●	

● In stock ○ Available upon request

Round Face Grooving with High Pressure Coolant

NEW

Internal



* L2 Ref: Repeatability within +/-0.02

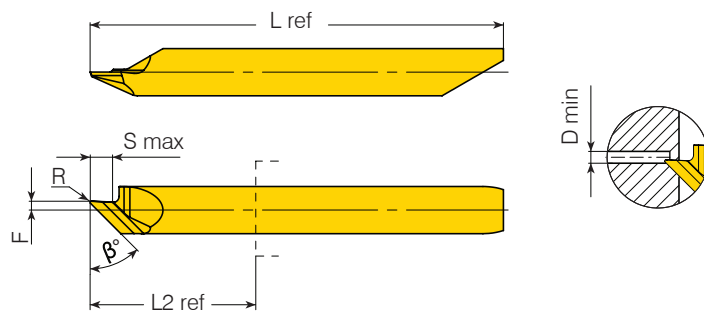
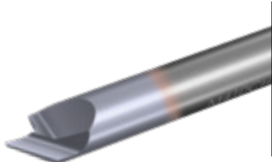
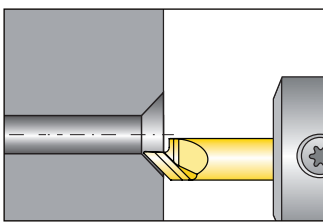
Right hand shown

Shank Dia.	Min. Bore Dia.	Ordering Code	Dimensions mm										Grades	
d (mm)	D min.	RH/LH	W ± 0.025	t max	L1	F	R	a	b	L2 ref*	L ref	VBX	VTX	
6.0	6.2	M662FGR050L15R/LC	1	2	15	2.8	0.5	5.8	5.55	18.3	42	○	●	
		M662FGR080L15R/LC	1.6	3			0.8		○			●		
		M662FGR100L15R/LC	2	4			1		5.45			○	●	
		M662FGR125L15R/LC	2.5	5			1.25		○			●		
		M662FGR150L15R/LC	3	6			1.5		○			●		

● In stock ○ Available upon request

Face Chamfering 45°

Internal



* L2 Ref: Repeatability within +/-0.02

Right hand shown

Shank Dia.	Min. Bore Dia.	Ordering Code	Dimensions mm							Grades	
d (mm)	D min. (mm)	RH/LH	R	F	S max	β°	L2 ref*	L ref	VBX	VTX	
4.0	1.0	M410CH45L15R	0.1	0.75	2.4	45	18.2	35.2	●	○	
		M410CH45L15L							○	●	

● In stock ○ Available upon request

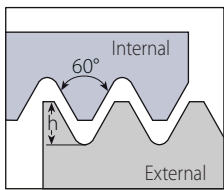
Threading

Internal

* L2 Ref: Repeatability within +/-0.02

Right hand shown

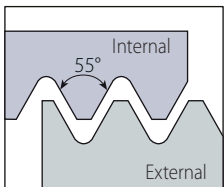
Partial Profile 60°



Thread	Shank Dia. d (mm)	Min. Bore Dia. D min. (mm)	Ordering Code	Pitch			Dimensions mm					Grades	
				RH/LH	mm	TPI	Helix °	L1	F	Y	h (min)	L2 ref*	L ref
M1-M2x0.25	4.0	0.73	M407TH0.25P60L02R	0.25		4.9	2.5	0.14	0.29	13.0	29.8	○	●
M1.6-M3x0.35		1.22	M412TH0.35P60L04R	0.35		3.8	4	0.18	0.29			○	●
M2x0.4		1.57	M416TH0.40P60L05R	0.4		4.2	5	0.2	0.41			○	●
M2.2-M2.5x0.45		1.71	M417TH0.45P60L06R	0.45		4.0	6	0.22	0.46			○	●
-	4.0	3.2	MS429THF60L16R	0.5-1.0	48-24	3.5	16	0.9	-	18.4	35.4	●	○
		3.2	MS429THF60L16L	0.5-1.0	48-24							○	●
		4.2	MS439THF60L16R	0.5-1.0	48-24							●	○
	6.0	4.2	MS439THF60L16L	0.5-1.0	48-24	○	●						
		6.2	M659THA60L06R	0.5-1.5	48-16	8.5	36.2	○	●				
		6.2	M659THA60L16R	0.5-1.5	48-16	18.5	42.2	●	●				
		6.2	M659THA60L16L	0.5-1.5	48-16	16	2.9					●	○

● In stock ○ Available upon request

Partial Profile 55°



d (mm)	Shank Dia. d (mm)	Min. Bore Dia. D min. (mm)	Ordering Code	Pitch			Dimensions mm					Grades	
				RH/LH	mm	TPI	Helix	L1	F	Y	L2 ref*	L ref	VBX
4.0	3.2	MS429THF55L16R/L	0.5-1.0	48-24	3.5	16	0.9	0.75	18.4	35.4	●	○	
	4.2	MS439THF55L16R/L	0.5-1.0	48-24			1.9				●	○	
6.0	6.2	M659THA55L16R/L	0.5-1.5	48-16			2.9	0.9	18.5	42.2	●	○	

● In stock ○ Available upon request

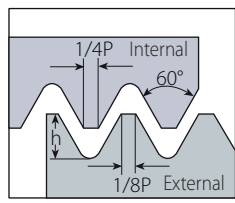
Threading

Internal

* L2 Ref: Repeatability within +/-0.02

Right hand shown

ISO Metric

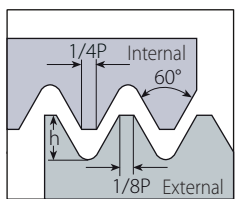


Defined by: R262 (DIN 13)
Tolerance Class: 6g/6H

Thread	Shank Dia.	Min. Bore Dia.	Ordering Code	Pitch	Dimensions mm							Grades	
	d (mm)	D min. (mm)			RH/LH	mm Helix °	L1	F	Y	h (min)	L2 ref*	L ref	VBX
M3-M5x0.5	4.0	2.46	M425TH0.50ISOL08R	0.50	3.0	7.6	1.95	0.40	0.58	13.0	29.8	○	●
M4x0.7		3.24	M432TH0.70ISOL10R	0.70	3.6	10.2		0.60	0.29			○	●
M4x0.5		3.4	MS429TH0.50ISOL16R/L	0.50				0.9	0.4			0.29	●
M5x0.5	4.0	4.4	MS439TH0.50ISOL16R/L	0.50			1.9	0.4	0.29	18.4	35.4	●	○
M4x0.7		3.2	MS429TH0.70ISOL16R/L	0.70			0.9	0.6	0.41			●	○
M4.5-M6x0.75		3.1	M429TH0.75ISOL16R	0.75			1.9	0.6	0.44			○	●
M5x0.8	5.0	4.0	MS429TH0.80ISOL16R/L	0.80			0.9	0.6	0.46	18.35	41.2	●	○
M6x1.0		4.8	MS439TH1.00ISOL16R/L	1.00			1.9	0.7	0.58			●	○
M5.5x0.5		4.9	M542TH0.50ISOL16R/L	0.50	3.5	16	1.7	0.4	0.29			●	○
M5.5x0.75	5.0	4.6	M542TH0.75ISOL16R/L	0.75			1.7	0.6	0.43	18.35	41.2	●	○
M7x1.0		5.8	M549TH1.00ISOL16R/L	1.00			2.4	0.7	0.58			●	○
M6x0.5		5.4	M649TH0.50ISOL16R/L	0.50			1.9	0.4	0.29			●	○
M6.5x0.75	6.0	5.6	M649TH0.75ISOL16R/L	0.75			1.9	0.6	0.43	18.5	42.2	●	○
M7.5x1.0		6.3	M659TH1.00ISOL16R/L	1.00			2.9	0.7	0.58			●	○
M8x1.25		6.5	M659TH1.25ISOL16R/L	1.25			2.9	0.9	0.72			●	○
M10x1.5		8.3	M659TH1.50ISOL16R/L	1.50	3.0		2.9	1.0	0.87			●	○

● In stock ○ Available upon request
| All tools are available in LH upon request.

American UN



Thread	Shank Dia.	Min. Bore Dia.	Ordering Code	Pitch	Dimensions mm							Grades	
	d (mm)	D min. (mm)			RH/LH	TPI Helix °	L1	F	Y	h (min)	L2 ref*	L ref	VBX
No.8-32UNC	4.0	3.3	MS429TH32UNL16R/L	32			0.92	0.6	0.46	18.4	35.4	●	○
No.10-28UNS		3.6	MS429TH28UNL16R/L	28			0.92	0.65	0.52			●	○
1/4"-27UNS	5.0	5.3	M549TH27UNL16R**	27			2.4	0.75	0.54	18.35	41.2	●	○
1/4"-24UNS		5.1	M542TH24UNL16R**	24	3.5	16	1.7	0.75	0.61			●	○
1/4"-20UNC		4.6	M542TH20UNL16R**	20			1.7	0.9	0.73			●	○
5/16"-18UNC	6.0	6.3	M659TH18UNL16R**	18			2.9	1.05	0.81	18.5	42.2	●	○
3/8"-16UNC		7.7	M659TH16UNL16R**	16			2.9	1	0.92			●	○

** LH Tools are available upon request.
| ● In stock ○ Available upon request

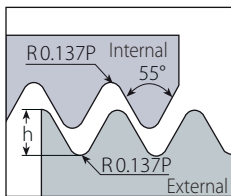
Threading

Internal

* L2 Ref: Repeatability within +/-0.02

Right hand shown

Whitworth for BSW, BSP



Thread	Shank Dia.	Min. Bore Dia.	Ordering Code	Pitch		Dimensions mm					Grades		
	d (mm)	D min. (mm)		RH/LH	TPI	Helix °	L1	F	Y	h (min)	L2 ref*	L ref	VBX
1/16"-28BSP	6.0	6.5	M659TH28WL16R**	28	3.5	16	2.9	0.65	0.58	18.5	42.2	•	◦
1/4"-19BSP	6.0	11.4	M659TH19WL16R**	19			0.95	0.86				•	◦

** LH Tools are available upon request.
 | • In stock ◦ Available upon request

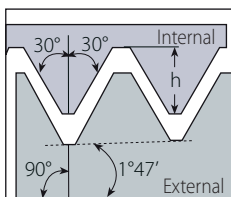
Defined by:

B.S.84:1956, DIN 259, ISO228/1:1982

Tolerance Class:

Medium Class A

NPT



Thread	Shank Dia.	Min. Bore Dia.	Ordering Code	Pitch		Dimensions mm					Grades		
	d (mm)	D min. (mm)		RH/LH	TPI	Helix °	L1	F	Y	h (min)	L2 ref*	L ref	VBX
1/16"-27NPT	6.0	6.1	M659TH27NPTL16R**	27			0.75	0.66				•	◦
1/4"-18NPT	6.0	10.7	M659TH18NPTL16R/L	18	3.5	16	2.9	1	1.01	18.5	42.2	•	◦
1/2"-14NPT	6.0	17	M659TH14NPTL16R**	14			1.05	1.33				•	◦

** LH Tools are available upon request.
 | • In stock ◦ Available upon request

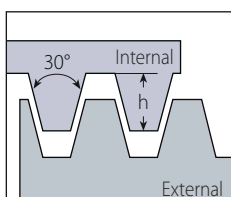
Defined by:

USAS B2.1:1968

Tolerance Class:

Standard NPT

Trapez



Thread	Shank Dia.	Min. Bore Dia.	Ordering Code	Pitch		Dimensions mm					Grades		
	d (mm)	D min. (mm)		RH/LH	mm	Helix °	L1	F	Y	h (min)	L2 ref*	L ref	VBX
TR8-TR10x1.5	6.0	6.2	M662TH1.5TRL20R	1.5	3.3		2.95	1.1	0.9			◦	•
TR9-TR12x2.0	6.0	6.2	M662TH2.0TRL20R	2.0	4	20.3	2.95	1.3	1.25	23	46.7	◦	•
TR10-TR14x2.0	7.0	7.2	M772TH2.0TRL20R	2.0	3.4		3.45					◦	•
TR11-TR16x3.0	7.0	7.2	M772TH3.0TRL20R	3.0	4.75		3.45	1.5	1.75			◦	•

| • In stock ◦ Available upon request
 | All tools are available in LH upon request.

Defined by:

DIN 103

Tolerance class:

7e/7H

microscope Toolholders

V-Cap Holders.....	151
Shrink Toolholders.....	152
Round Tools without Shoulder.....	153
Round Double Sided Tools.....	153
Holder with Round Shank - 4 Flats.....	154
Holder with Round Shank - 2 Flats.....	155
Holder with Square Shank.....	156
Holder with Drop Head.....	157

microscope Toolholders Ordering Code

Holders

MH	C	R	22	-	4	-	5	-	4F
1	2	3	4		5		6		7

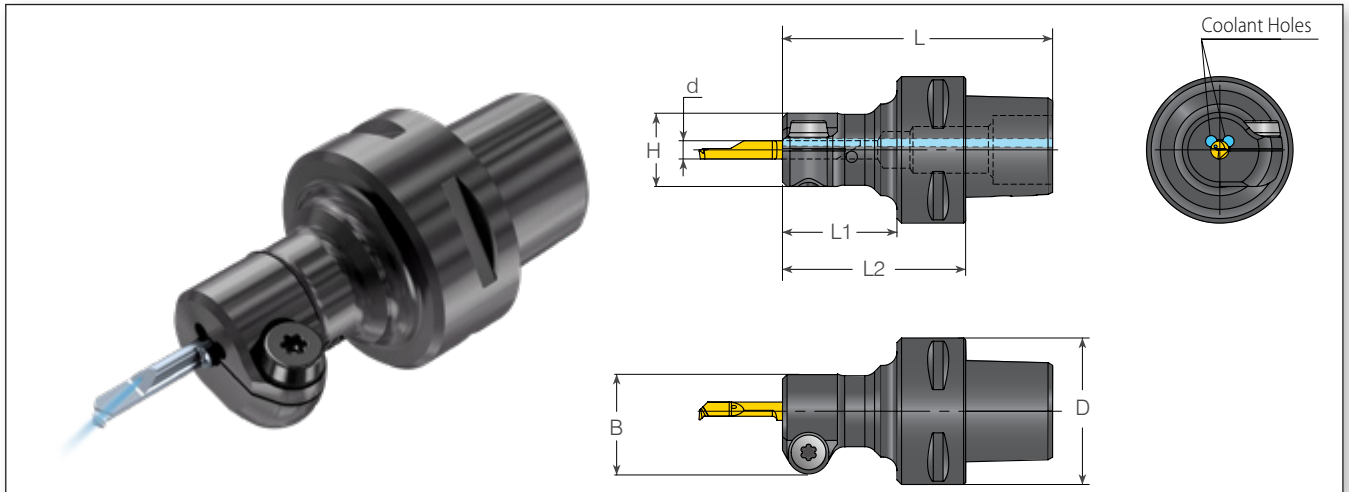
V-CAP Holders



MH	C	S	-	4	-	C3
1	2	3		5		8

1 - Product Line MH - Microscope Round Holder MHS - Microscope Holder with Square Shank MHD - Microscope with Drop Head	2 - Coolant C or D - Coolant Thru	3 - Round Tools R - Round Bore S - Shrink by Screw	4 - Shank Size (mm) 10 - 28
5 - Bore Size (mm) 4, 5, 6, 7	6 - Bore Size (mm) for Double Bore 4, 5, 6, 7	7 - 4 Flats 4F - Four Flats None - Two Flats	8 - Polygon Size (V-CAP) C3, C4



V-CAP Holders



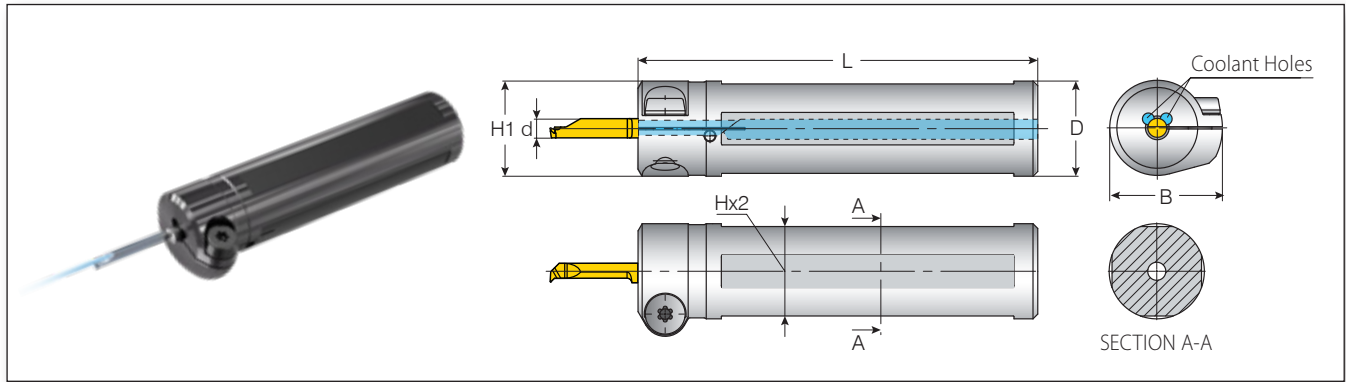
Micro Insert Dia.	Ordering Code	Dimensions mm						Spare Parts	
		D	B	H	L1	L2	L	 Shrink Screw*	 Key
4.0	MHCS-4-C3	32.0	21.7	16.0	25.0	40.0	59.0	SM5X10-15IPX2**	L15IP / LX15IP
	MHCS-4-C4	40.0	21.7	16.0	25.0	45.0	69.0		
5.0	MHCS-5-C3	32.0	23.7	20.0	30.0	45.0	64.0		
	MHCS-5-C4	40.0	23.7	20.0	30.0	50.0	74.0		
6.0	MHCS-6-C3	32.0	23.7	20.0	30.0	45.0	64.0		
	MHCS-6-C4	40.0	23.7	20.0	30.0	50.0	74.0		
7.0	MHCS-7-C3	32.0	23.7	20.0	30.0	45.0	64.0		
	MHCS-7-C4	40.0	23.7	20.0	30.0	50.0	74.0		

V-CAP holders are according to ISO 26623.

* Tightening Torque: 7 Nm max.

** SM5X10-15IPX2 is a special, double-sided screw. For an alternative screw, please use MS5X10 (key: S4).

Shrink Toolholders

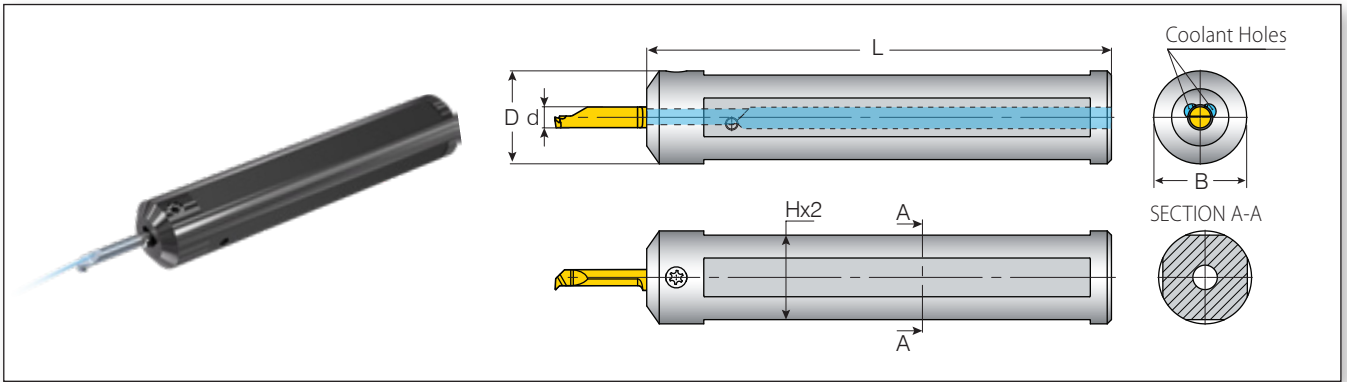


Micro Insert Dia.	Ordering Code	Dimensions mm					Spare Parts	
		d (mm)	D	B	H1	H	L	Shrink Screw*
4.0	MHCS10-4-4F	10.0	19.7	13.3	8.8	65.0	SM5X10-15IPX2**	L15IP / LX15IP
	MHCS12-4-4F	12.0	19.7	13.8	10.8	70.0		
	MHCS16-4-4F	16.0	21.7	16.0	14.8	75.0		
	MHCS20-4-4F	20.0	23.7	20.0	18.8	84.0		
	MHCS22-4-4F	22.0	24.7	22.0	20.0	110.0		
5.0	MHCS16-5-4F	16.0	21.7	16.0	14.8	75.0		
	MHCS20-5-4F	20.0	23.7	20.0	18.8	84.0		
6.0	MHCS12-6-4F	12.0	19.7	13.8	10.8	70.0		
	MHCS16-6-4F	16.0	21.7	16.0	14.8	75.0		
	MHCS20-6-4F	20.0	23.7	20.0	18.8	84.0		
7.0	MHCS22-6-4F	22.0	24.7	22.0	20.0	110.0		
	MHCS16-7-4F	16.0	21.7	16.0	14.8	75.0		
	MHCS20-7-4F	20.0	23.7	20.0	18.8	84.0		

* Tightening Torque: 7 Nm max.

** SM5X10-15IPX2 is a special, double-sided screw. For an alternative screw, please use M5X10 (key: S4).

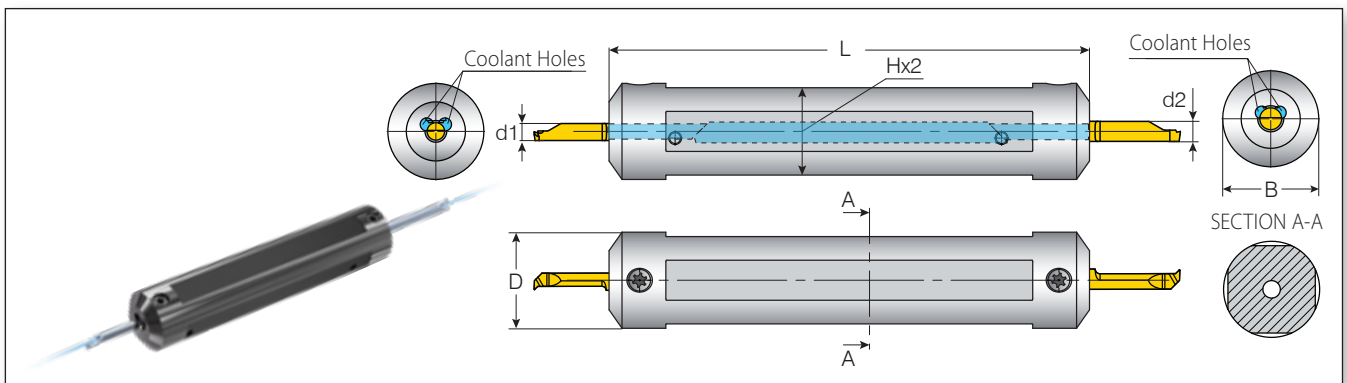
Round Tools without Shoulder



Micro Insert Dia.	Ordering Code	Dimensions mm			Spare Parts	
d (mm)		B=D	H	L	Clamping Screw*	Key
4.0	MHCR20-4-4F	20	18.8	83.5	SLDBT15IP	F15IP
	MHCR22-4-4F	22	20.0	110.0		
5.0	MHCR20-5-4F	20	18.8	83.5		
	MHCR22-5-4F	22	20.0	110.0		
6.0	MHCR20-6-4F	20	18.8	83.5		
	MHCR22-6-4F	22	20.0	110.0		
7.0	MHCR25-7-4F	25	20.0	110.0		

* Tightening Torque: 7 Nm max.

Round Double Sided Toolholders

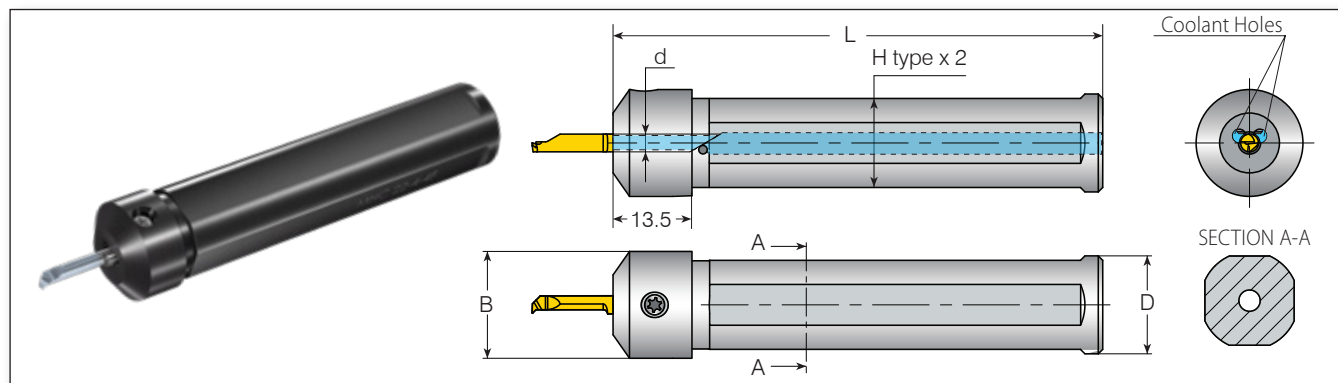


Micro Insert Dia.	Ordering Code	Dimensions mm			Spare Parts	
d1 - d2 (mm)		B=D	H	L	Clamping Screw*	Key
4.0 - 5.0	MHCR075-4-5-4F**	19.05	17.8	83.5	SLDBT15IP	F15IP
	MHCR20-4-5-4F**	20	18.8	83.5		
	MHCR22-4-5-4F	22	20.0	110.0		
	MHCR25-4-5-4F	25	23.0	110.0		
6.0 - 7.0	MHCR20-6-7-4F**	20	18.8	83.5		
	MHCR25-6-7-4F	25	23.0	110.0		

* Tightening Torque: 7 Nm max.

** Front screw must be removed in order to mount the toolholder on the machine. Once mounted, set the screw back in place and secure the insert.

Holder with Round Shank - 4 Flats

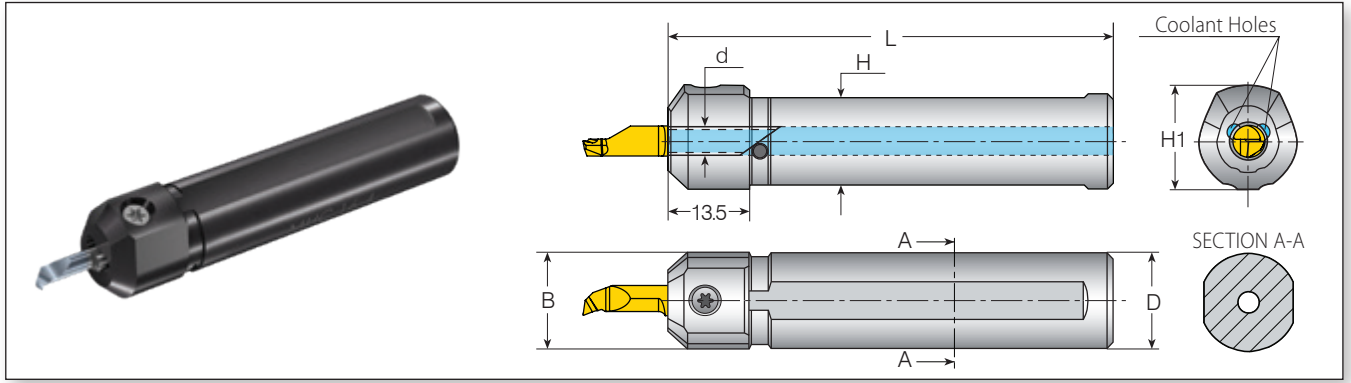




Micro Insert Dia.	Ordering Code	Dimensions mm				Spare Parts	
		d (mm)	D	B	H	L	Clamping Screw*
4.0	MHC20-4-4F	20.0	22.0	18.8	83.5	SL7DT15 or SL7DBT15IP**	KT15 or F15IP**
	MHC22-4-4F	22.0	24.0	20.0	110		
	MHC23-4-4F	23.0	25.0	21.0			
	MHC25-4-4F	25.0	27.0	23.0			
	MHC28-4-4F	28.0	30.0	26.0			
5.0	MHC20-5-4F	20.0	22.0	18.8	83.5		
	MHC22-5-4F	22.0	24.0	20.0	110		
	MHC23-5-4F	23.0	25.0	21.0			
	MHC25-5-4F	25.0	27.0	23.0			
	MHC28-5-4F	28.0	30.0	26.0			
6.0	MHC20-6-4F	20.0	22.0	18.8	83.5		
	MHC22-6-4F	22.0	24.0	20.0	110		
	MHC23-6-4F	23.0	25.0	21.0			
	MHC25-6-4F	25.0	27.0	23.0			
	MHC28-6-4F	28.0	30.0	26.0			
7.0	MHC22-7-4F	22.0	24.0	20.0	110		
	MHC23-7-4F	23.0	25.0	21.0			
	MHC25-7-4F	25.0	27.0	23.0			
	MHC28-7-4F	28.0	30.0	26.0			

* Tightening Torque: 8 Nm max.

** Torx+ screw and key are now available for improved clamping.

Holder with Round Shank - 2 Flats

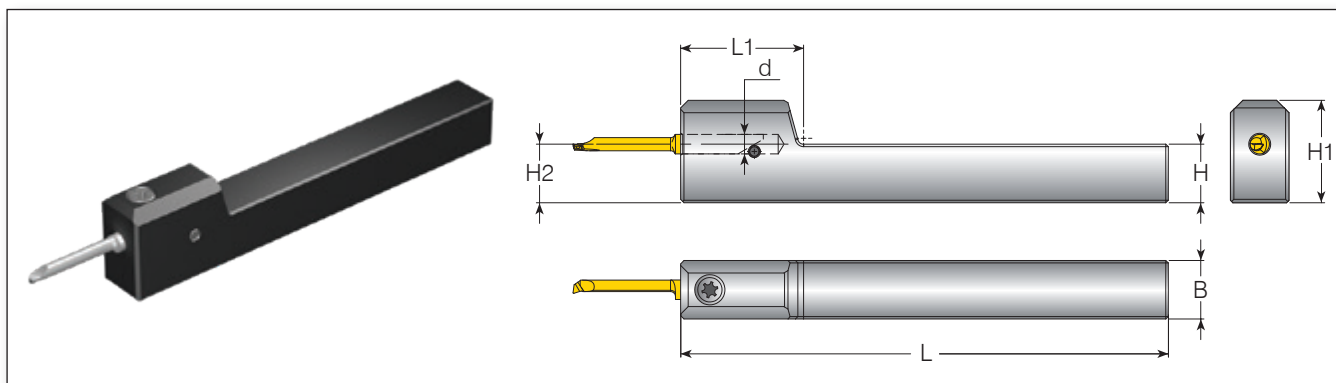




Micro Insert Dia.	Ordering Code	Dimensions mm				Spare Parts	
		D=B	H1	H	L	 Clamping Screw*	 Key
4.0	MHC 10-4	10.0	14.0	8.8	65.0	SL7DT15 or SL7DBT15IP**	KT15 or F15IP**
	MHC 12-4	12.0	16.0	10.8	70.0		
	MHC 16-4	16.0	17.6	14.8	75.0		
	MHC 20-4	20.0	22.0	18.8	84.0		
5.0	MHC 10-5	10.0	14.0	8.8	65.0		
	MHC 12-5	12.0	16.0	10.8	70.0		
	MHC 16-5	16.0	18.6	14.8	75.0		
	MHC 20-5	20.0	22.0	18.8	84.0		
6.0	MHC 12-6	12.0	16.0	10.8	70.0		
	MHC 16-6	16.0	18.6	14.8	75.0		
	MHC 20-6	20.0	22.0	18.8	84.0		
7.0	MHC 16-7	16.0	18.6	14.8	75.0		
	MHC 20-7	20.0	22.0	18.8	84.0		

* Tightening Torque: 8 Nm max.

** Torx+ screw and key are now available for improved clamping.

Holder with Square Shank

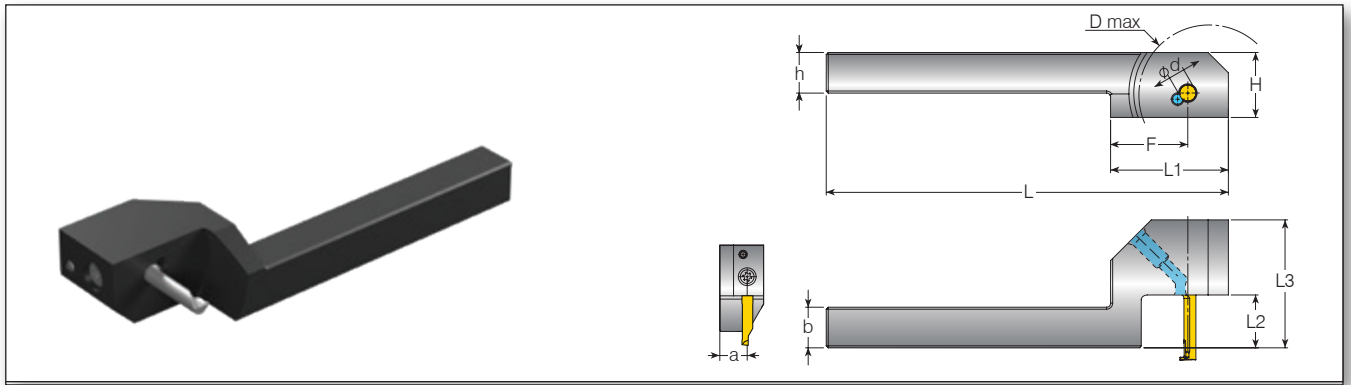




Micro Insert Dia.	Ordering Code	Dimensions mm				Spare Parts	
		H=H2=B	H1	L	L1	 Clamping Screw*	 Key
4.0	MHS 1010-4	10.0	19.0	100.0	25.0	SL7DT15 or SL7DBT15IP**	KT15 or F15IP**
5.0	MHS 1010-5	10.0	19.5	100.0	25.0		
4.0	MHS 1212-4	12.0	21.0	100.0	25.0		
5.0	MHS 1212-5	12.0	21.5	100.0	27.0		
6.0	MHS 1212-6	12.0	22.0	100.0	27.0		

* Tightening Torque: 8 Nm max.

** Torx+ screw and key are now available for improved clamping.

Holder with Drop Head



Micro Insert Dia.	Ordering Code	Dimensions mm								Spare Parts	
		a=b=h	L3	H	L	L1	F	D max	L2	 Clamping Screw*	 Key
4.0	MHD 1010-4 L0500		31.5		99.0	29.0	19.0	26.0	13.0	SL7DT15 or SL7DBT15IP**	KT15 or F15IP**
5.0	MHD 1010-5 L0800	10.0	48.0	16.0					23.0		
6.0	MHD 1010-6 L1000		53.0						28.0		
4.0	MHD 1212-4 L0700		36.5		18.0						
5.0	MHD 1212-5 L0800	12.0	48.0	18.0	23.0						
6.0	MHD 1212-6 L1000		53.0		28.0						



* Tightening Torque: 8 Nm max.

** Torx+ screw and key are now available for improved clamping.


Accessories

Torque Limiters for Secure Clamping


Torque Limiting Handles

Ordering Code	Item Number	Range
VTRF 	013-01038	0.6 Nm to 3.0 Nm
VTRJ 	013-01039	2.0 Nm to 7.0 Nm

Torque Limiting Adapters

Ordering Code	Item Number	Torque Max (Nm)
	TSD-12-0.6Nm	0.6
	TSD-12-2.0Nm	2.0
	TSD-12-3Nm	3.0
	D02-12-3.0Nm	3.0
	TSD-12-4.5Nm	4.5
	TSD-12-5Nm	5.0
	TSD-20-7Nm	7.0

Torque Limiting Bits

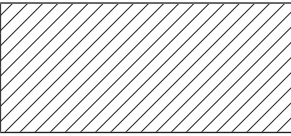
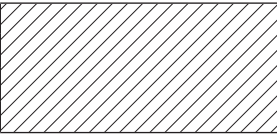

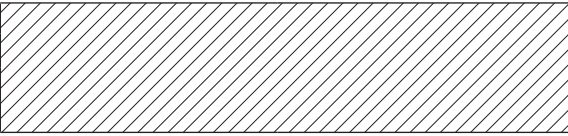
Ordering Code	Item Number	Bit Type
	BIT25-H4.0	Hexagon
	BIT25-H5.0	
	BIT25-TX8	Torx
	BIT25-TX10	
	BIT25-TX15	
	BIT25-TX20	
	BIT25-TX25	
	BIT25-15IP	Torx Plus
	BIT25-20IP	

Torque Limiters Appendix

Selecting the Correct Adapter and Bit:

Use the following table to choose the correct adapter and bit based on the appropriate Groovex product family and the designated screw.

In cases where different screws are used within the same product family, locate the appropriate screw in the Groovex Main Catalog.

Product Group	Product Family	Insert	Screw	Nm Max	Adapter	Bit	
VG-Cut	Monoblock Holders	Insert Width: 2.0 mm	SM4x16-T20	3.0	TSD-12-3Nm	BIT25-TX20	
		Insert Width: 3.0 mm	SM3.5x14-T15	5.0	TSD-12-5Nm		
		Insert Width: 3.0 mm	SM4x16-T20	5.0	TSD-12-5Nm		
		Insert Width: 3.0 & 4.0 mm	SM4x18-T20	5.0	TSD-12-5Nm		
		Insert Width: 3.0 & 4.0 mm (VGER/L...N & VGER/L...C)	SM5x20-T25	5.0	TSD-12-5Nm	BIT25-TX25	
		Insert Width: 5.0 & 6.0 mm	SM4x18-T20	7.0	TSD-12-7Nm	BIT25-TX20	
	Reinforced Monoblok Holders (PH)	Insert Width: 1.5 & 2.0 mm			3.0	TSD-12-3Nm	BIT25-TX15
		Insert Width: 3.0			5.0	TSD-12-5Nm	
	Reinforced Monoblok Holders with High Pressure Coolant (HPC)	Insert Width: 1.5 & 2.0 mm		SM4x14-T15	4.0	-	BIT25-TX15
		Insert Width: 3.0			5.0	TSD-12-5Nm	
	Modular System			SM4x14-T15	5.0	TSD-12-5Nm	BIT25-TX15
				SM4x10.5-T15	5.0	TSD-12-5Nm	BIT25-TX20
				SM5x13.5-T20	5.0	TSD-12-5Nm	
				SM5x18-T20	5.0	TSD-12-5Nm	
	Modular System with High Pressure Coolant			SM5x16	3.0	TSD-12-3Nm	BIT25-TX25
				SM5x16	5.0	TSD-12-5Nm	
				SM5x16	7.0	TSD-20-7Nm	
	Internal Holders	Insert Width: 2.0 mm		SM5x12	3.0	TSD-12-3Nm	BIT25-TX25
				SM5x14	3.0		
				SM5x16	3.0		
		Insert Width: 3.0 & 4.0 mm		SM5x12	5.0	TSD-12-5Nm	
				SM5x14	5.0	TSD-12-5Nm	
				SM5x16	5.0	TSD-12-5Nm	
Insert Width: 4.0 & 5.0 mm		SM5x18	5.0				
Insert Width: 5.0 mm		SM5x20	5.0				
Insert Width: 6.0 mm	SM5x25	5.0					
ST-Cut		Inserts ST85....	SM5x0.5x7-T10	3.0	D02-12-3.0Nm*	BIT25-TX10	
			SM5x0.8x9-T10				
			SM5x0.5x7-T10 LH				
			SM5x0.8x9-T10 LH				
GrooVical			SGM5	4.5	TSD-12-4.5Nm	BIT25-20IP	
Mini-V			SNV08	0.6	TSD-12-0.6Nm	BIT25-TX8	
			SNV11	2.0	TSD-12-2.0Nm	BIT25-TX10	
			SNV14	3.0	TSD-12-3Nm	BIT25-TX15	
			SNV16	5.0	TSD-12-5Nm	BIT25-TX20	
microscope			SL7DT15	5.0	TSD-12-5Nm	BIT25-TX15	
			SLDBT15IP	5.0	TSD-20-5Nm		
			SM5x10-15IPX2	7.0	TSD-20-7Nm		

* CW/CCW Torque direction



THREADING IS

VARDEX

Advanced Threading Solutions

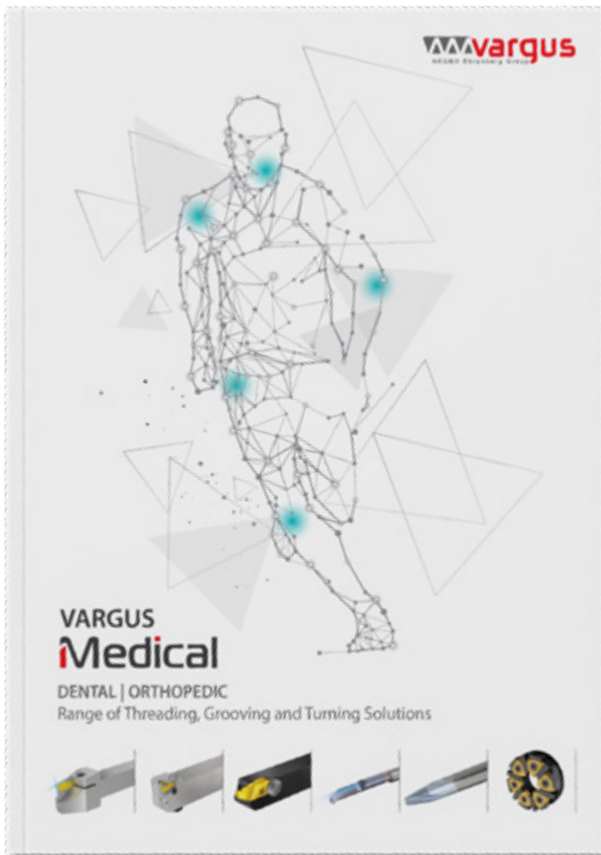
VARDEX is the company's prominent product line for Thread Turning, Thread Milling, and Gear Milling Solutions.

Thread Turning: The VARDEX TT tools offer an extensive collection of pitches and standards in different grades, IC ranges and types of insert styles, as well as customized methods for the oil and gas industry.

Thread Milling: The VARDEX TM line provides a wide range of applications and solutions in multi-tooth, single-tooth point for deep holes, and solid carbide tools.

Gear Milling: The VARDEX Gear Milling line is a revolutionary concept for gear, rack and spline applications, offered in indexable inserts and solid carbide tools.

VARGUS GENIUS™: VARGUS' industry-leading Thread Turning and Thread Milling solutions are seamlessly complimented by the VARGUS GENIUS™ software – The most powerful tool selector, cutting data and CNC program generating software available.



VARGUS Medical

Introducing

VARGUS Solutions for the Medical Industry

In keeping with the demands for mass production and special tooling for the medical industry, VARGUS provides an encompassing range of solutions for the precise and detailed applications commonly used world-wide in this rapidly growing industry. Whether it be the manufacturing of miniature dental implants, bone screws, bone plates, tulip heads, or other exact medical components, VARDEX and GROOVEX precision tools provide you with the excellent VARGUS quality so well known in the metal-cutting industry. Tailor-made tools are available on request with the added advantage of the VARGUS expertise and knowledge of more than 60 years.

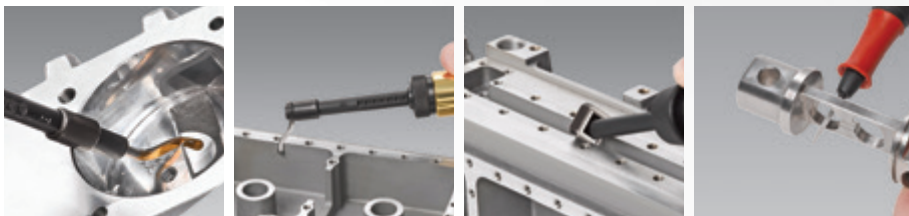
Applications:

- Parting Off
- Turning
- Grooving
- Thread Turning
- Thread Milling
- Thread Whirling
- Boring
- Broaching



The Finishing Touch

SHAVIV
Leading Deburring Solutions



SHAVIV hand deburring tools offer a range of cost-effective and efficient solutions to companies across all industry sectors that need to remove burrs from different materials. The tools are renowned for providing “the finishing touch” in a host of applications, such as hole edges, straight edges, flat surfaces, keyways and corners.



Die & Mold



Electrical



Plastic



Automotive



Metal



Plumbing



Aviation



DIY



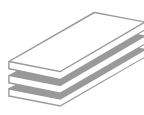
Metal



Aluminum



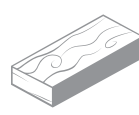
Copper



Cast Iron



Plastic



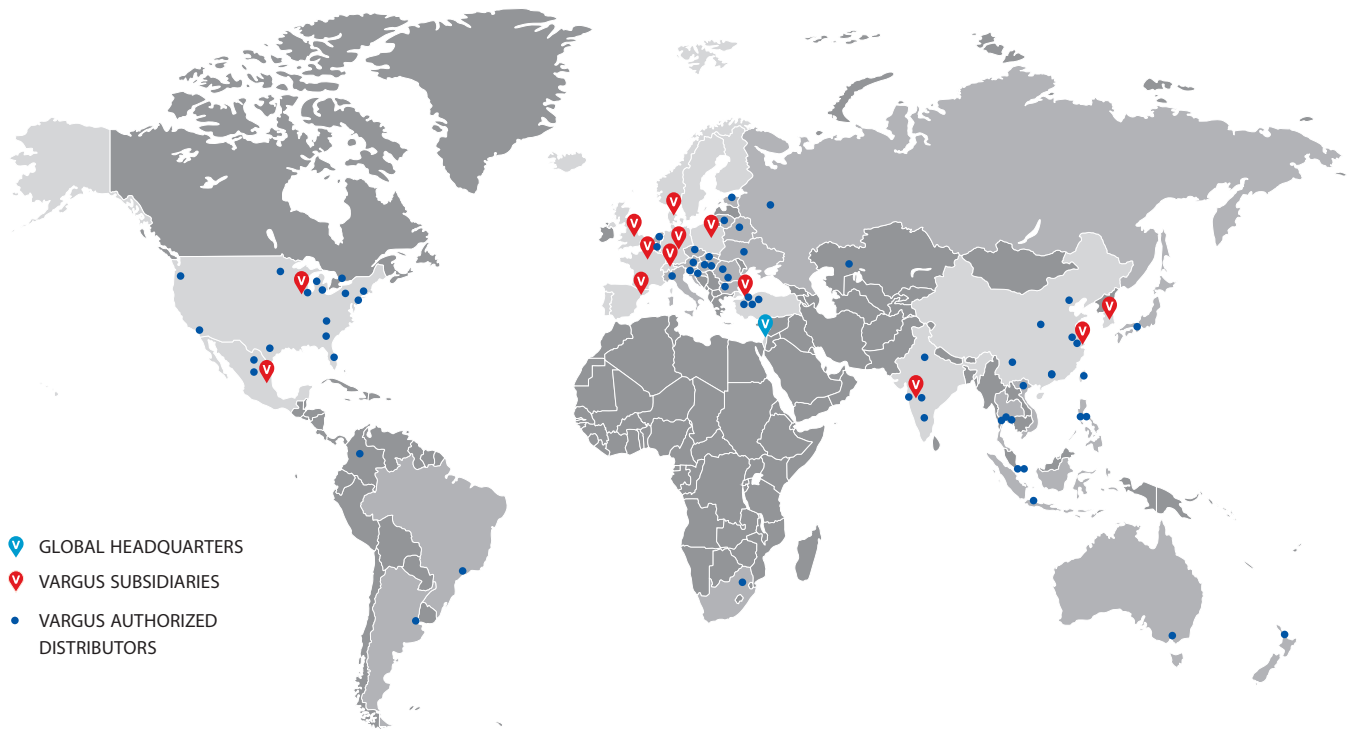
Wood




SHAVIV GENIUS™

The world's first tool selector for hand deburring applications.

Get the right tool for any deburring, deflashing, countersinking or chamfering job in just 4 simple steps!
Visit www.SHAVIV-GENIUS.com

With a network of 13 international companies and hundreds of distributors, warehouses and certified ISO 9001 manufacturing facilities, VARGUS Ltd. serves customers in more than 100 countries around the globe. A customer-focused organization, VARGUS Ltd. is committed to providing innovative products and solutions of the highest quality and excellent value, and is renowned for its technical expertise and uncompromising service.



-  GLOBAL HEADQUARTERS
-  VARGUS SUBSIDIARIES
-  VARGUS AUTHORIZED DISTRIBUTORS

VARGUS Ltd. - Global Headquarters | ISRAEL +972 4 9855 101 | mrktg@vargus.com


EUROPE

 **DENMARK**
VARGUS Scandinavia
+45 8794 4100
vargus@vargus.dk

 **FRANCE**
VARGUS France
+33 1 4601 7060
commercial@vargus.fr

 **GERMANY**
VARGUS Germany
+49 7043 36 161
info@vargus.de

 **ISRAEL**
NEUMO-VARGUS
+972 3 537 3275
neumo@neumo-vargus.co.il

 **POLAND**
VARGUS Poland
+48 46 834 9904 / 46 831 5140
vargus@neumo.pl

 **SPAIN**
VARGUS Ibérica
+34 977 52 49 00
sales@vargus.es

 **SWITZERLAND**
VARGUS Switzerland
+41 41784 2121
info@vargus.ch

 **TURKEY**
VARGUS Turkey
+90 212 875 01 41
info@vargusturkey.com

 **UNITED KINGDOM**
VARGUS Tooling UK
+44 1952 583 222
tooling.uk@vargustooling.co.uk

ASIA

 **CHINA**
VARGUS China
+86 21 516 88300
info@varguschina.net

 **INDIA**
VARGUS India
+91 2135 654748
info@vargusindia.com

 **SOUTH KOREA**
VARGUS Korea
+82 31 660 7092
info@varguskorea.co.kr

NORTH AMERICA

 **USA**
VARGUS USA
+1 800 828 8765 / 608 756 4930
sales@vargususa.com



GROOVEX
Innovative Grooving & Turning Solutions

MAIN CATALOG